

# Adjustable Tile Hook



## One Tile Hook for All Tile Roofs



Compatible with S/W & Flat Tiles & mounts directly to the roof deck



Strong & rigid design reduces roof attachments



Slotted arm design for maximum flexibility on tile roofs



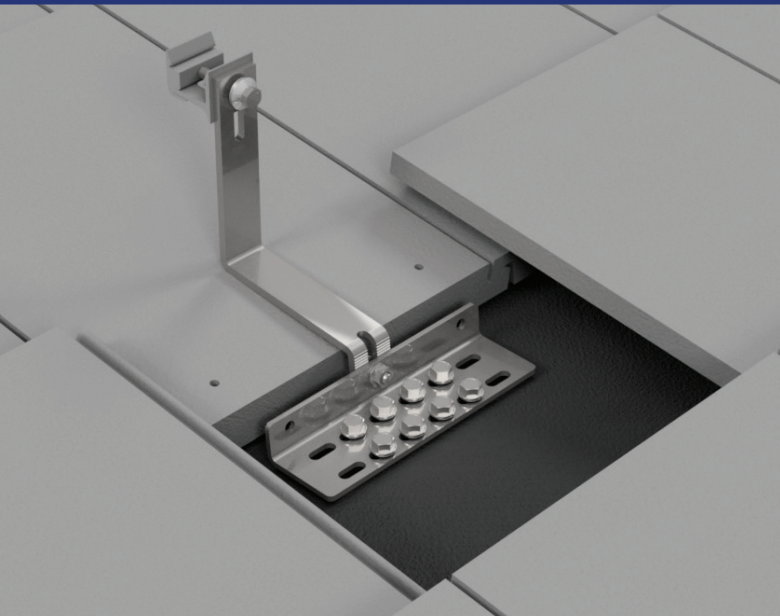
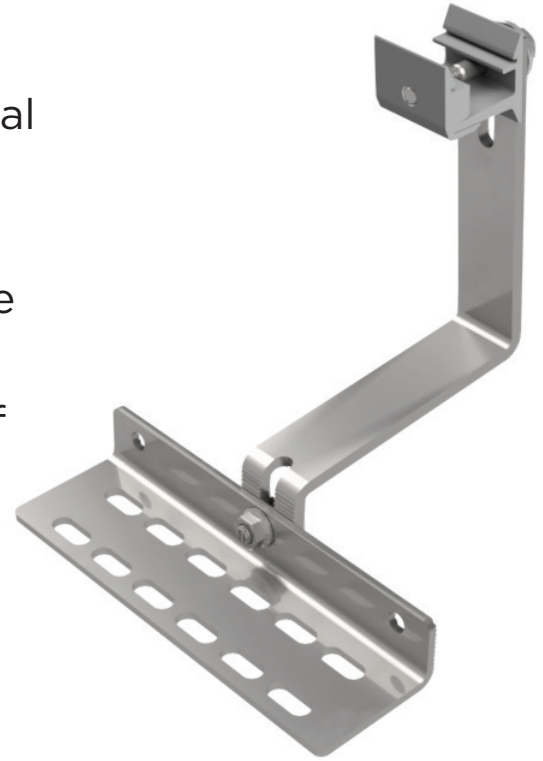
Single Tool installation & snap-in features as with all SnapNrack products

**Start Installing Ultra Rail Tile Hooks Today!**

# SnapRack Adjustable Tile Hook

Designed with maximum adjustability to accommodate for installation on Flat, S or W shaped tile roofs. These roof hooks are a strong low-profile attachment that can easily adjust to various tile heights, while reducing damage to tiles. The Tile Roof Hook can also be mounted directly to the roof deck with the use of wood screws.

- Slotted attachments provide maximum vertical adjustments for array leveling & compatibility with all tile profiles
- Three hook installation locations with multiple lag screw holes, guarantees locating a rafter while installing the hook through the valley of the tile
- Strong & rigid design reduces roof attachment quantities
- 1 hook for all tile roof profiles



- Capable of mounting directly to the roof deck with the use of 6 to 8 Wood Screws
- Ships preassembled with Ultra Rail Mount for snap-in rail connection
- Available with the **Tile Replacement Flashing** to further simplify tile installations

## Quality. Innovative. Superior.

SnapRack Solar Mounting Solutions are engineered to optimize material use and labor resources and improve overall installation quality and safety.

877-732-2860

[www.snaprack.com](http://www.snaprack.com)

[contact@snaprack.com](mailto:contact@snaprack.com)

© 2023 by SnapRack Solar Mounting Solutions. All rights reserved