

DESCRIPTION:
**SNAPNRACK, ULTRA RAIL SPEEDSEAL™
 DECKFOOT**

PART NUMBER(S):
242-02173, 242-02174

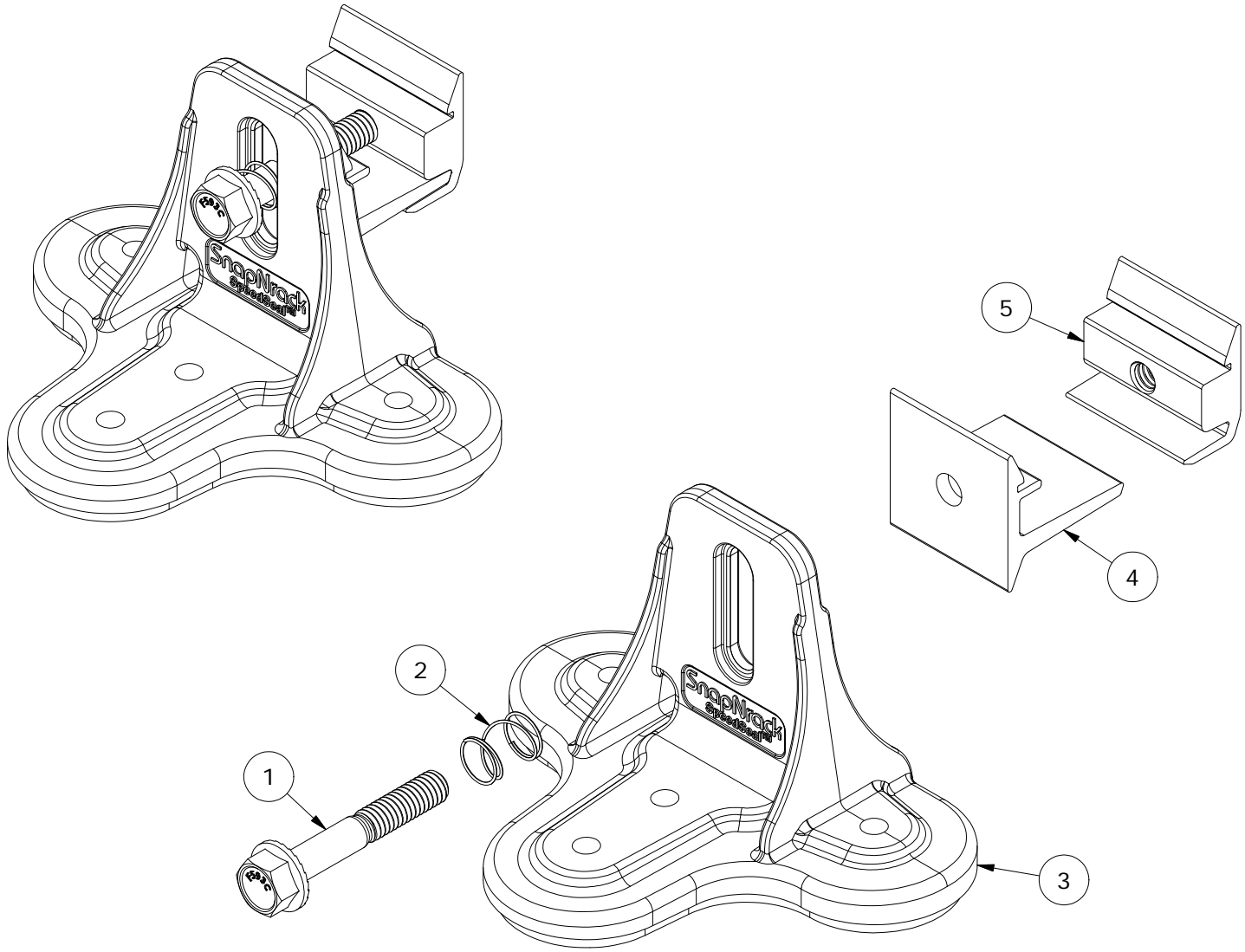
DRAWN BY:
 mwatkins

REVISION:
A

SnapNrack®

595 MARKET STREET, 29TH FLOOR • SAN FRANCISCO, CA 94105 USA
 PHONE (415) 580-6900 • FAX (415) 580-6902

THE INFORMATION IN THIS DRAWING IS CONFIDENTIAL AND PROPRIETARY. ANY REPRODUCTION, DISCLOSURE, OR USE THEREOF IS PROHIBITED WITHOUT THE WRITTEN CONSENT OF SUNRUN SOUTH LLC.



PARTS LIST		
ITEM	QTY	DESCRIPTION
1	1	BOLT, FLANGE, SERRATED, 5/16IN-18 X 1-3/4IN, SS
2	1	SNAPNRACK, RL UNIVERSAL, MOUNT SPRING, SS
3	1	SNAPNRACK, SPEEDSEAL DECKFOOT BASE, SEALING, SILVER / BLACK
4	1	SNAPNRACK, ULTRA RAIL MOUNT THRU PRC, CLEAR
5	1	SNAPNRACK, ULTRA RAIL MOUNT TAPPED PRC, CLEAR

NOTE:
 CAN BE DECK-MOUNTED OR
 RAFTER-MOUNTED

MATERIALS:	DIE CAST A380 ALUMINUM, 6000 SERIES ALUMINUM, STAINLESS STEEL, FOAM	
DESIGN LOAD (LBS):	SEE STRUCTURAL ENGINEERING	OPTIONS:
ULTIMATE LOAD (LBS):	SEE STRUCTURAL ENGINEERING	SILVER / BLACK
TORQUE SPECIFICATION:	12 LB-FT	
CERTIFICATION:	UL 2703, FILE E359313; WIND-DRIVEN RAIN TEST FROM SUBJECT UL 2582	
WEIGHT (LBS):	0.65	

DESCRIPTION:

**SNAPNRACK, ULTRA RAIL SPEEDSEAL™
DECKFOOT**

DRAWN BY:

mwatkins

REVISION:

A

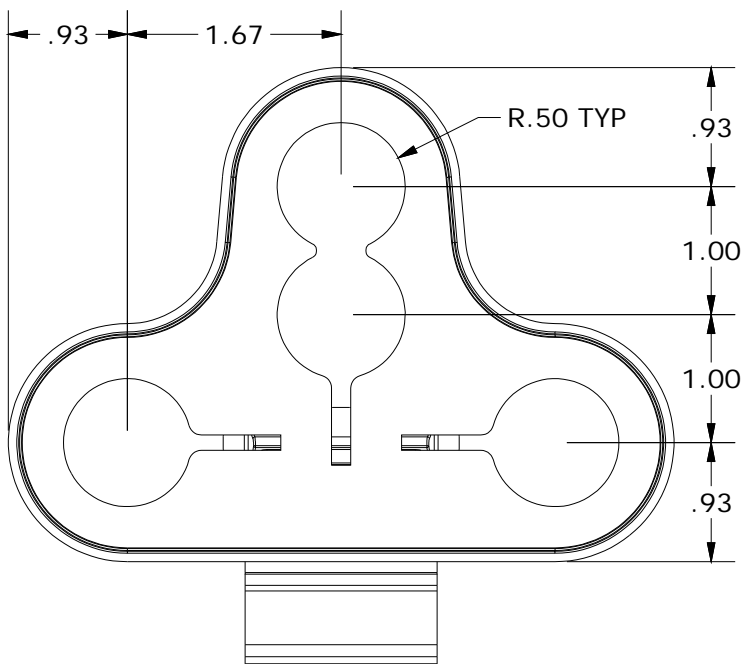
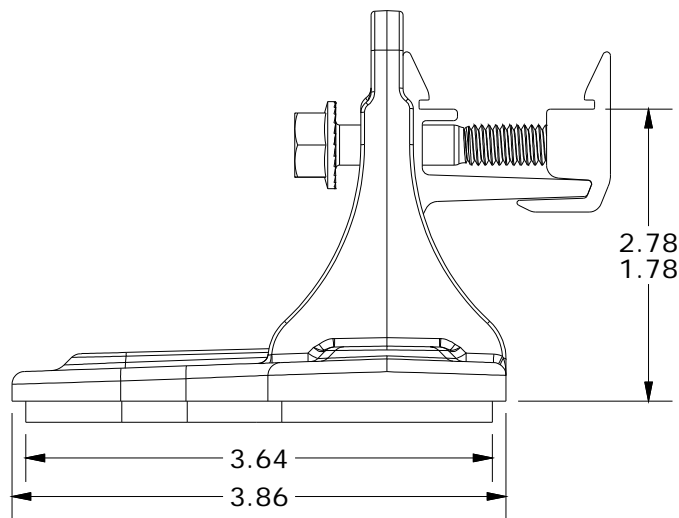
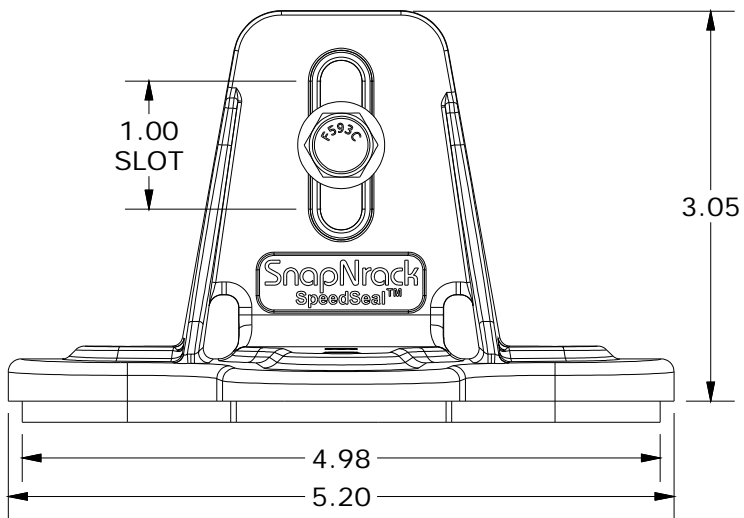
SnapNrack®

PART NUMBER(S):

242-02173, 242-02174

595 MARKET STREET, 29TH FLOOR • SAN FRANCISCO, CA 94105 USA
PHONE (415) 580-6900 • FAX (415) 580-6902

THE INFORMATION IN THIS DRAWING IS CONFIDENTIAL AND PROPRIETARY. ANY
REPRODUCTION, DISCLOSURE, OR USE THEREOF IS PROHIBITED WITHOUT THE
WRITTEN CONSENT OF SUNRUN SOUTH LLC.



ALL DIMENSIONS IN INCHES