

**SNAPNRACK UR SPEEDSEAL DECKFOOT FOR COMPOSTION ROOF MOUNTING ONTO WOOD DECKING**

REFER TO SNAPNRACK ENGINEERING CHARTS FOR APPLICABLE RAIL SPANS. "BIN" NUMBER ON CHART SHOULD MATCH "BIN" NUMBER ON THIS DRAWING

(X4) #14 FULLY THREADED WOOD SCREWS, S.S. MUST EMBED FULLY INTO WOOD DECK

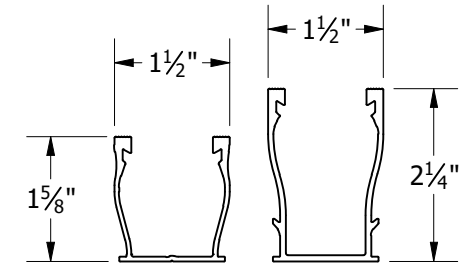
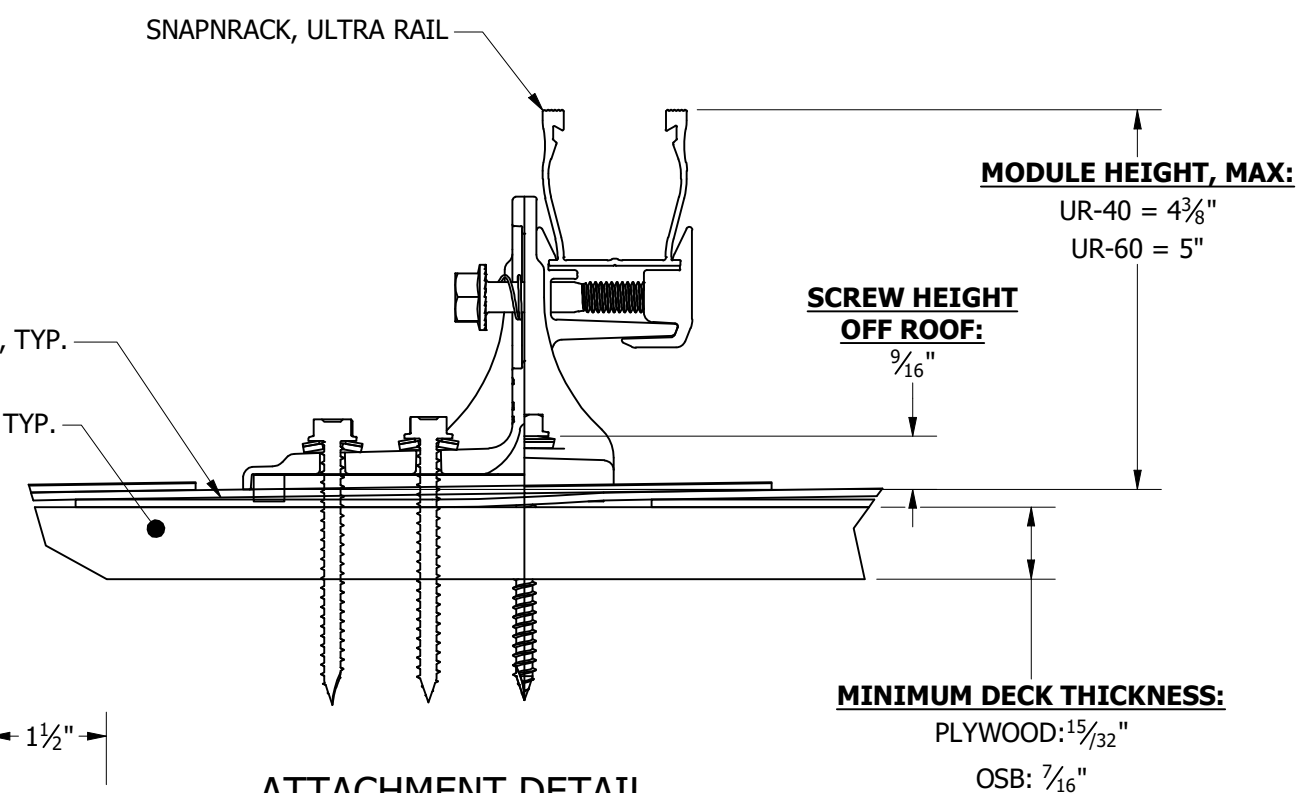
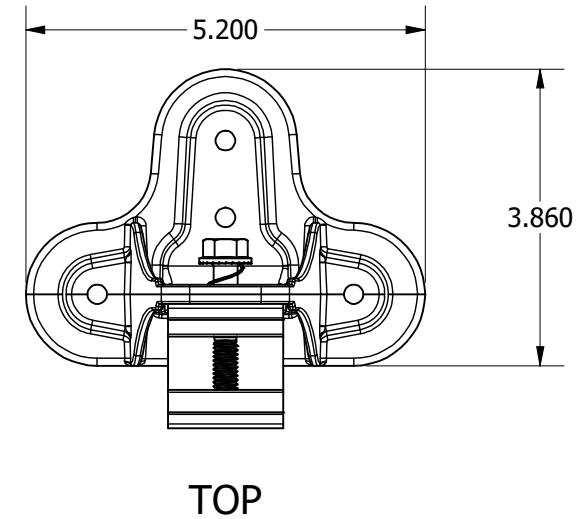
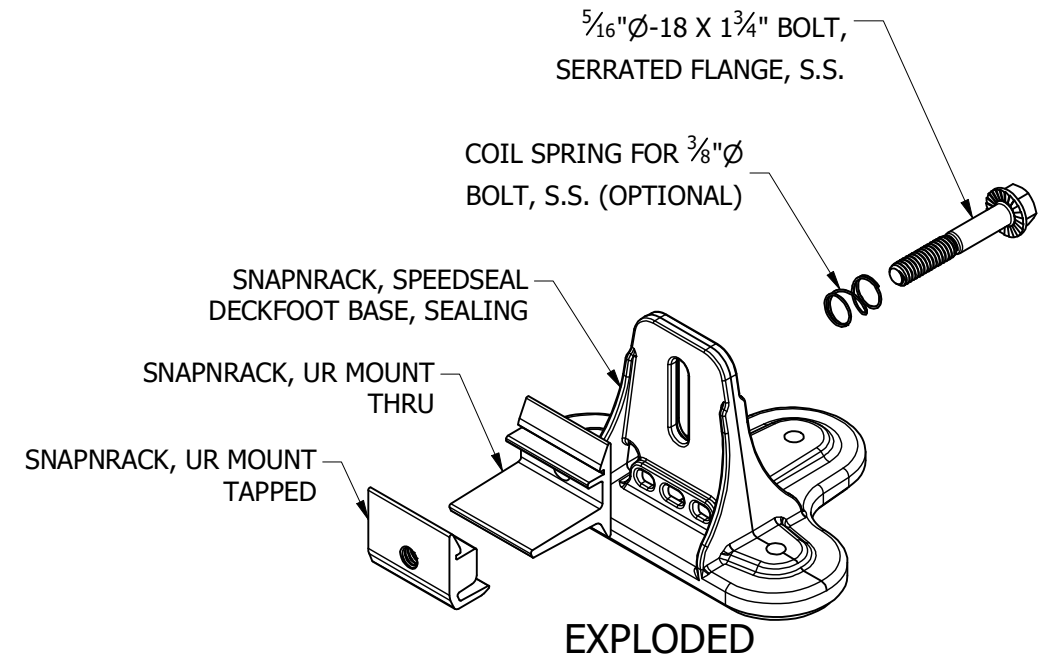
REFER TO SNAPNRACK INSTALLATION MANUAL FOR  $\frac{5}{16}$ " $\varnothing$  HARDWARE TORQUE SPECIFICATIONS

RAIL CAN MOUNT ON EITHER SIDE OF SPEEDSEAL DECKFOOT. SPEEDSEAL DECKFOOT CAN MOUNT UP, DOWN, OR ACROSS THE SLOPE OF THE ROOF

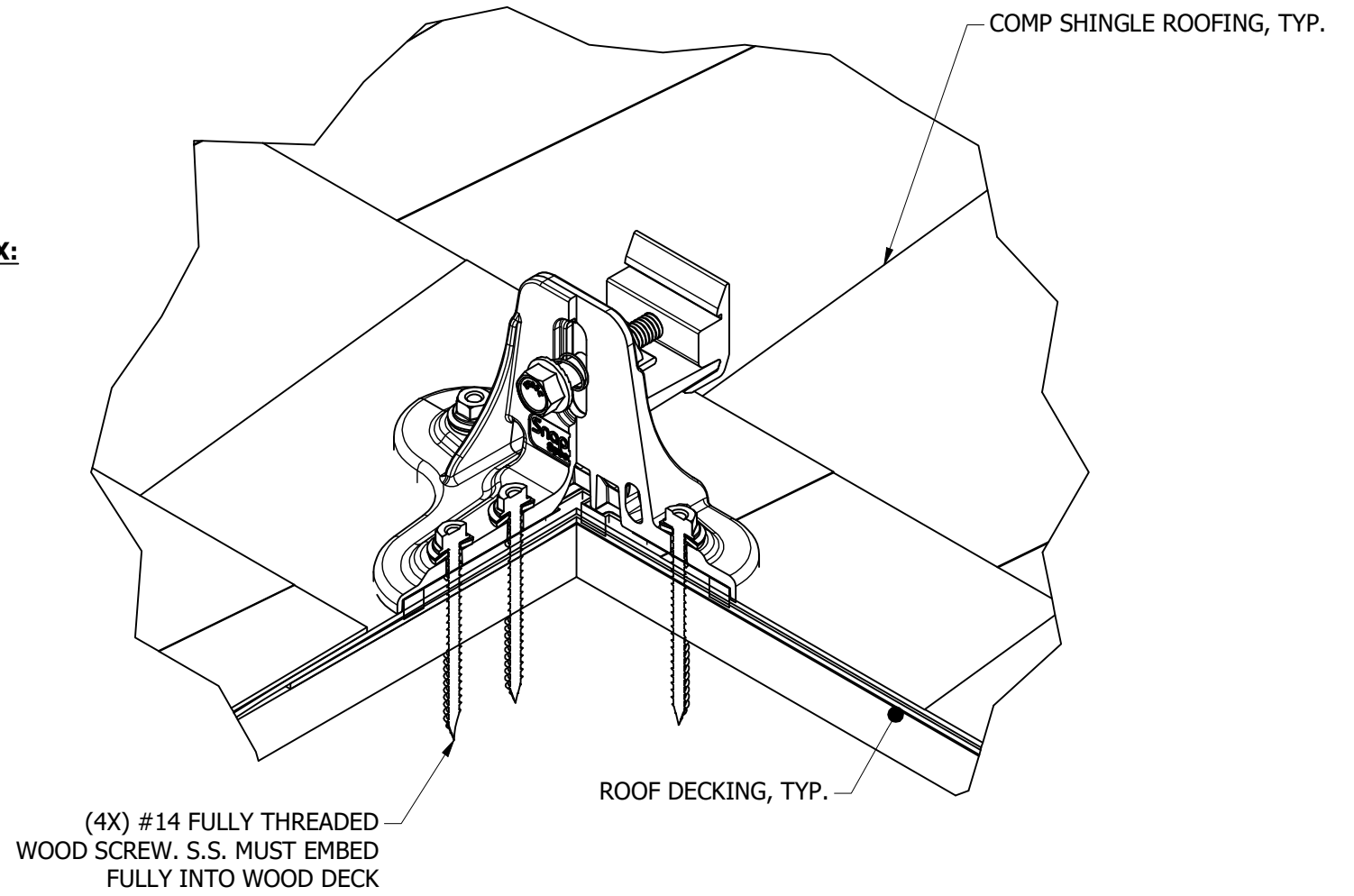
FOR ADDITIONAL LEVELING DETAILS, REFER TO SNAPNRACK DETAIL DRAWING "SNR-DC-00447 ULTRA RAIL, COMPONENT DETAIL, ULTRA RAIL LEVELING SPACER"

BIN: N/A

REVISION:			
1	1/13/2021	NEW DETAIL	MJA
2	4/5/2021	2PC CLAMP	MJA



**ATTACHMENT DETAIL SECTION VIEW**



**INSTALLATION OVERVIEW**

**UR-40 RAIL | UR-60 RAIL**  
FOR USE WITH SNAPNRACK ULTRA SERIES RAILS



Sunrun South LLC  
595 MARKET STREET, 29TH FLOOR • SAN FRANCISCO, CA 94105 USA  
PHONE (415) 580-6900 • FAX (415) 580-6902  
THE INFORMATION IN THIS DRAWING IS CONFIDENTIAL AND PROPRIETARY. ANY REPRODUCTION, DISCLOSURE, OR USE THEREOF IS PROHIBITED WITHOUT THE WRITTEN CONSENT OF SUNRUN SOUTH LLC.

DESIGNER: M.AFFENTRANGER  
DRAFTER: M.AFFENTRANGER  
APPROVED BY: W.ARBUCKLE

SCALE: DNS  
DATE: 4/5/2021

DRAWING NUMBER: SNR-DC-00450

DESCRIPTION: ULTRA RAIL, ATTACHMENT DETAIL, UR SPEEDSEAL DECKFOOT TO DECK

REV: 2