

SNAPNRACK UR SPEEDSEAL DECKFOOT FOR COMPOSTION ROOF MOUNTING ONTO WOOD DECKING

REFER TO SNAPNRACK ENGINEERING CHARTS FOR APPLICABLE RAIL SPANS. "BIN" NUMBER ON CHART SHOULD MATCH "BIN" NUMBER ON THIS DRAWING

(X4) #14 FULLY THREADED WOOD SCREWS, S.S. MUST EMBED FULLY INTO WOOD DECK

REFER TO SNAPNRACK INSTALLATION MANUAL FOR $\frac{5}{16}$ " \varnothing HARDWARE TORQUE SPECIFICATIONS

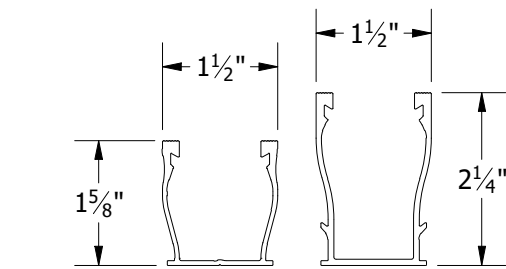
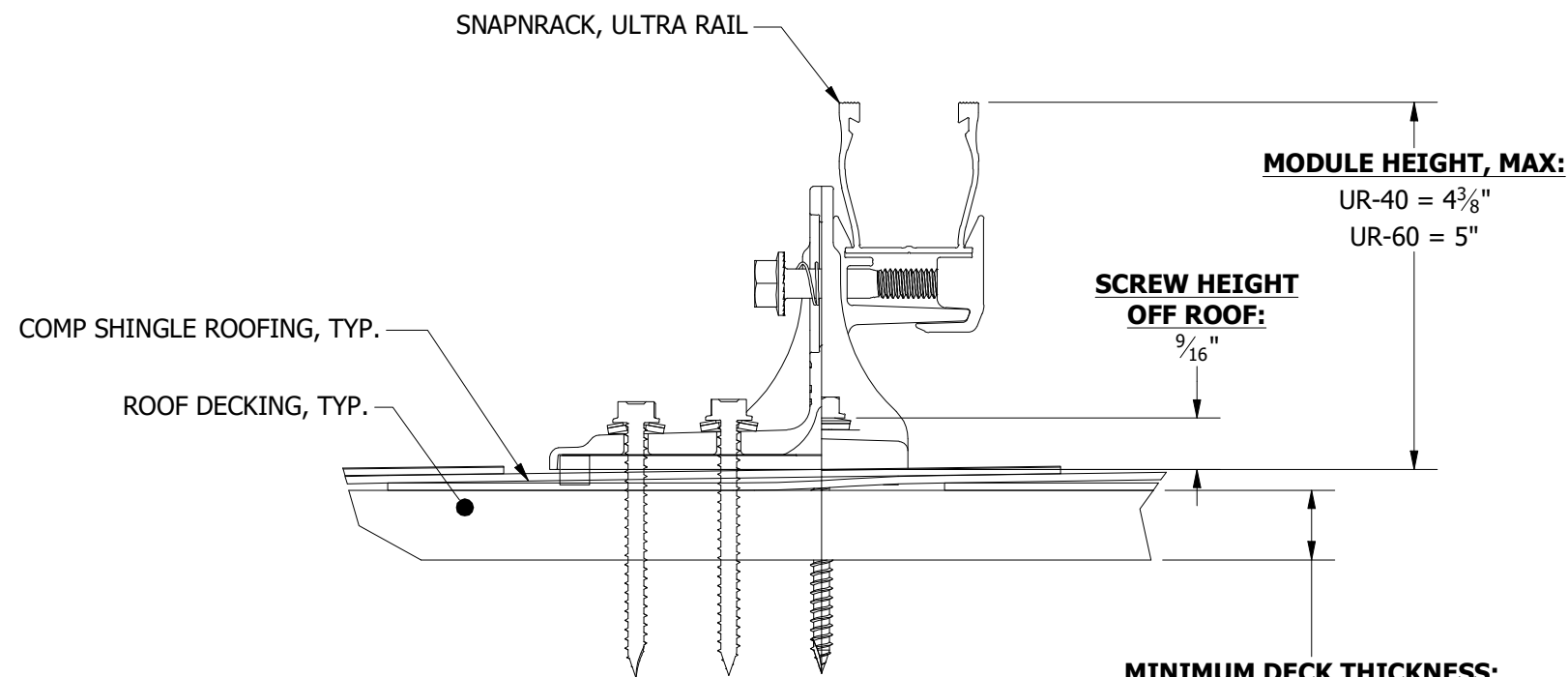
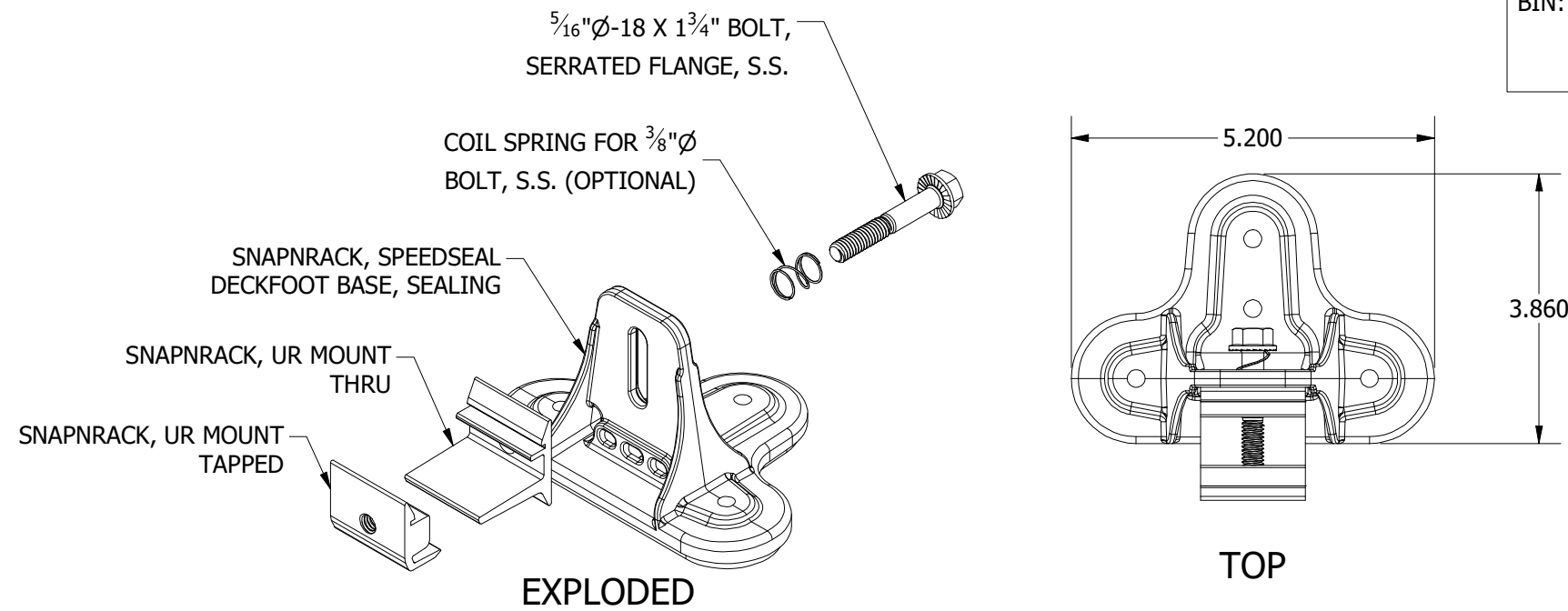
SNAPNRACK SPEEDSEAL DECKFOOT CAN MOUNT IN ANY ORIENTATION ON THE ROOF

RAIL CAN MOUNT ON BOTH SIDES OF SPEEDSEAL DECKFOOT

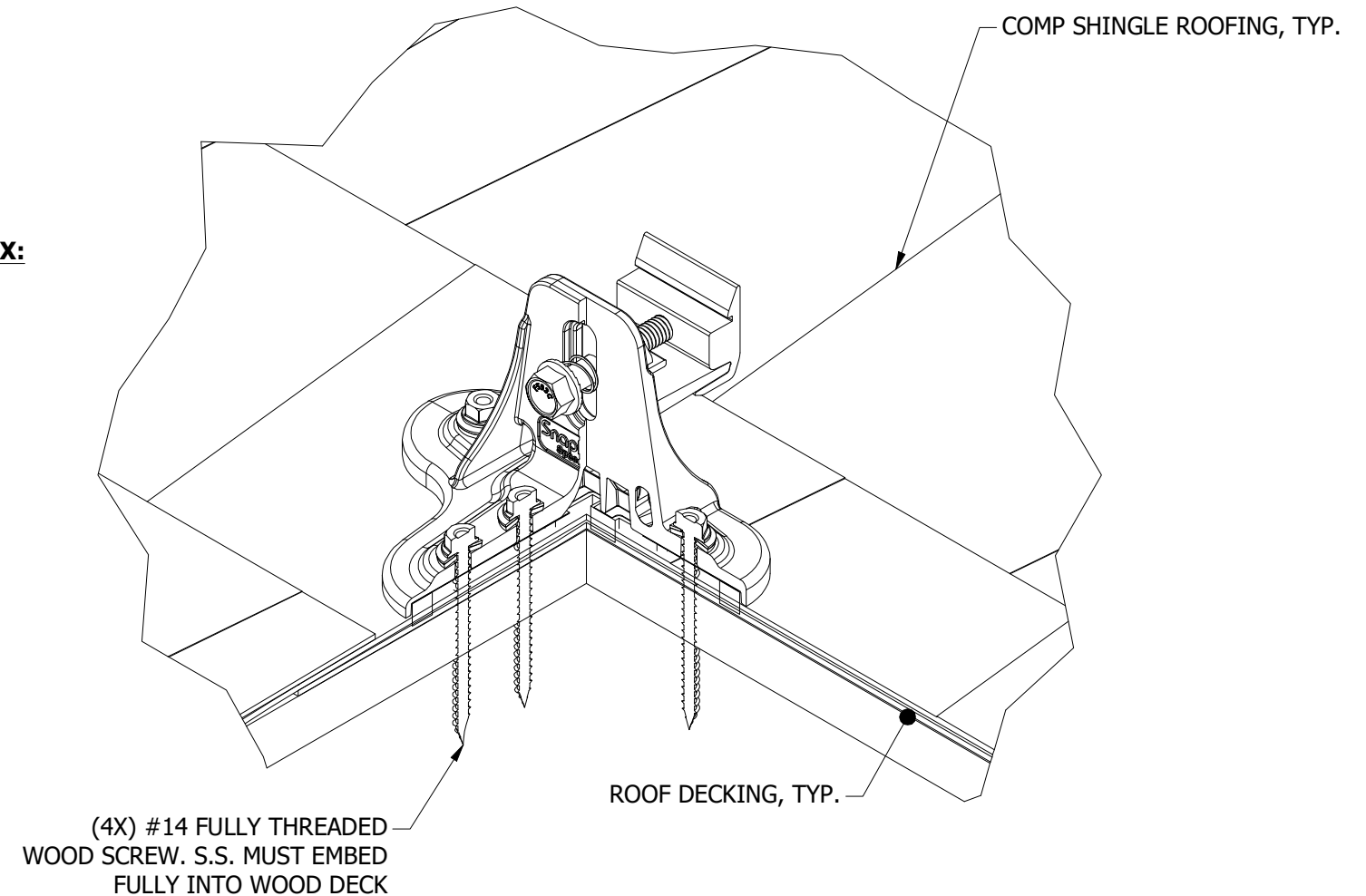
FOR ADDITIONAL LEVELING DETAILS, REFER TO SNAPNRACK DETAIL DRAWING "SNR-DC-00447 ULTRA RAIL, COMPONENT DETAIL, ULTRA RAIL LEVELING SPACER"

BIN: N/A

REVISION:			
1	1/13/2021	NEW DETAIL	MJA
2	4/5/2021	2PC CLAMP	MJA
B	8/2/2021	DC000595	MJA



ATTACHMENT DETAIL SECTION VIEW



INSTALLATION OVERVIEW

UR-40 RAIL | UR-60 RAIL
FOR USE WITH SNAPNRACK ULTRA SERIES RAILS



Sunrun South LLC
595 MARKET STREET, 29TH FLOOR • SAN FRANCISCO, CA 94105 USA
PHONE (415) 580-6900 • FAX (415) 580-6902
THE INFORMATION IN THIS DRAWING IS CONFIDENTIAL AND PROPRIETARY. ANY REPRODUCTION, DISCLOSURE, OR USE THEREOF IS PROHIBITED WITHOUT THE WRITTEN CONSENT OF SUNRUN SOUTH LLC.

DESIGNER: M.AFFENTRANGER
DRAFTER: M.AFFENTRANGER
APPROVED BY: W.ARBUCKLE

SCALE: DNS
DATE: 8/2/2021

DRAWING NUMBER:
SNR-DC-00450

DESCRIPTION:
ULTRA RAIL, ATTACHMENT DETAIL, UR SPEEDSEAL DECKFOOT TO DECK

REV: **B**