

COMPONENT DETAIL FOR THE SNAPNRACK RL UNIVERSAL MOUNT

MOUNT MAY BE USED WITH FLASHTRACK (SEE SNR-DC-00363), SPEEDSEAL TRACK (SNR-DC-00431), OR SPEEDSEAL DECKTRACK SHOWN IN THIS DETAIL

THE RL UNIVERSAL MOUNT UTILIZES A "CLAMP-SLEEVE" METHOD OF MODULE ATTACHMENT TO ALLOW A ROCK-IN INSTALLATION OF THE UP-SLOPE MODULE. SEE "CLAMP-SLEEVE ATTACHMENT" VIEW

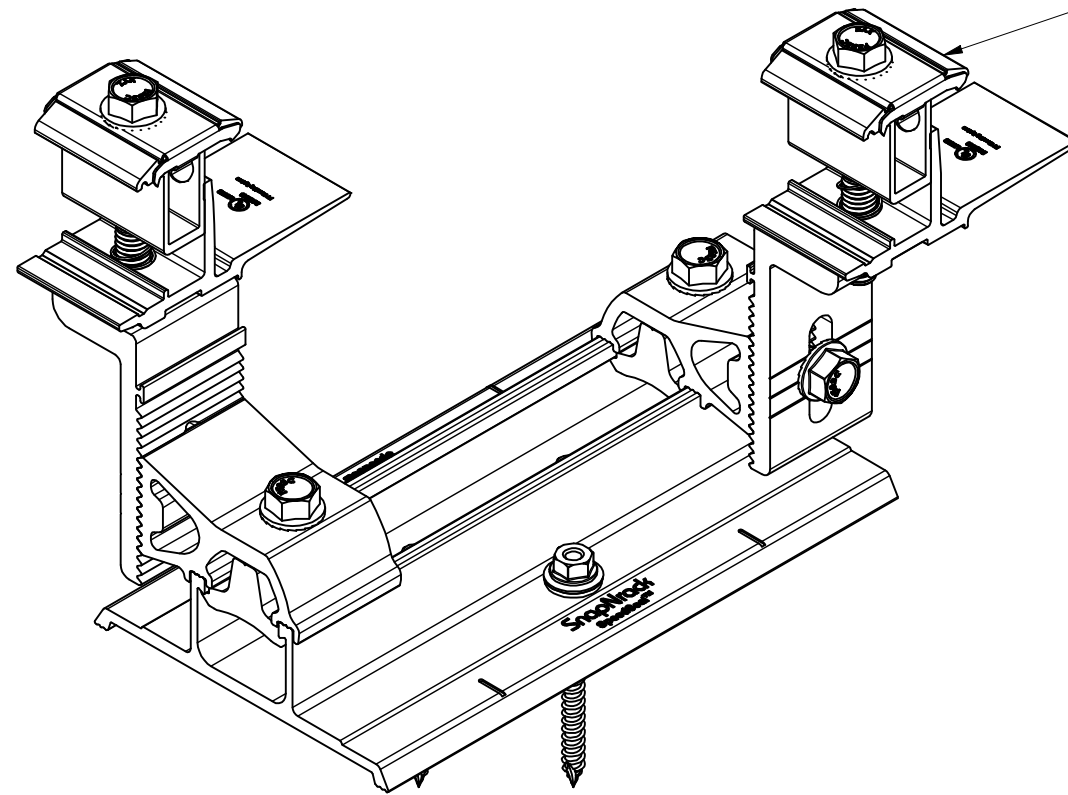
RL UNIVERSAL MOUNTS BOND ACROSS PV ARRAY ROWS VIA THE RL UNIVERSAL BONDING CLIP

THE RL UNIVERSAL MOUNT PROVIDES A FIXED 3/4" GAP BETWEEN PV MODULE ROWS

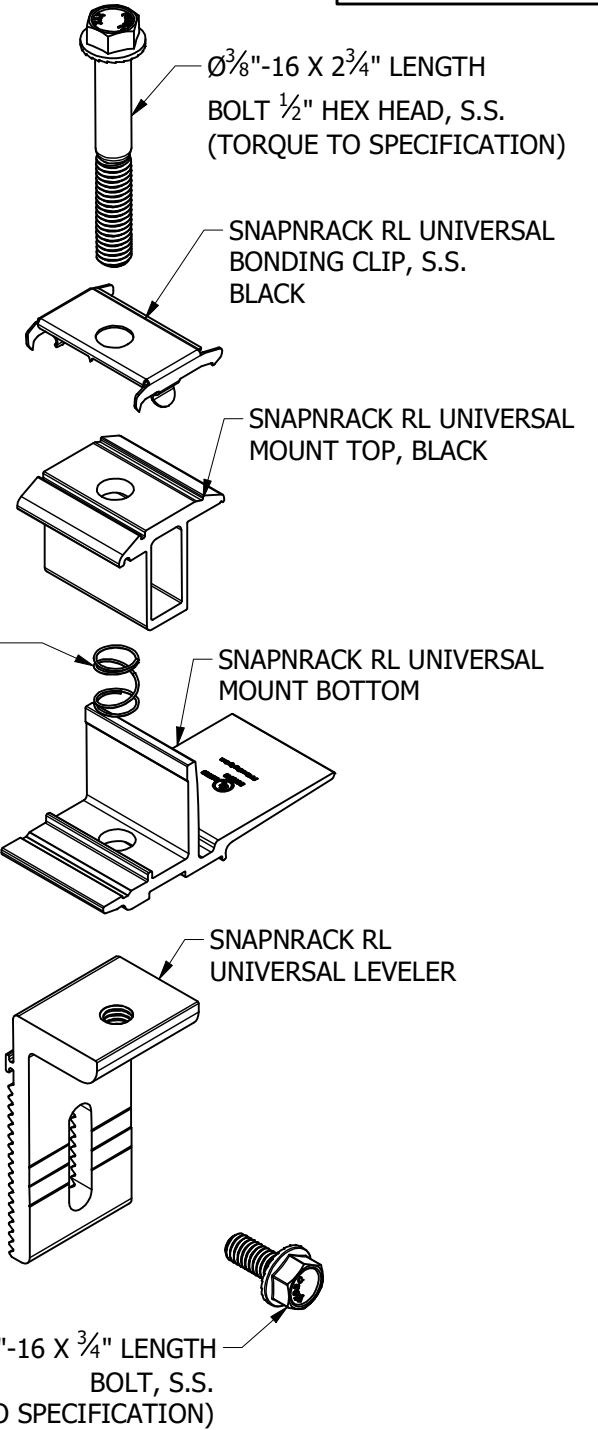
FOR UNEVEN ROOF SURFACES EACH MOUNT HAS 1" OF LEVELING CAPABILITY IN 1/8" INCREMENTS.

REFER TO SNAPNRACK INSTALLATION MANUAL FOR HARDWARE TORQUE SPECIFICATIONS

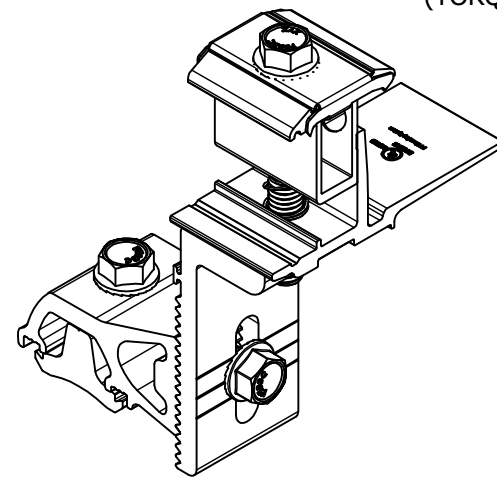
REVISION:		
1	1/13/2021	NEW DETAIL DR



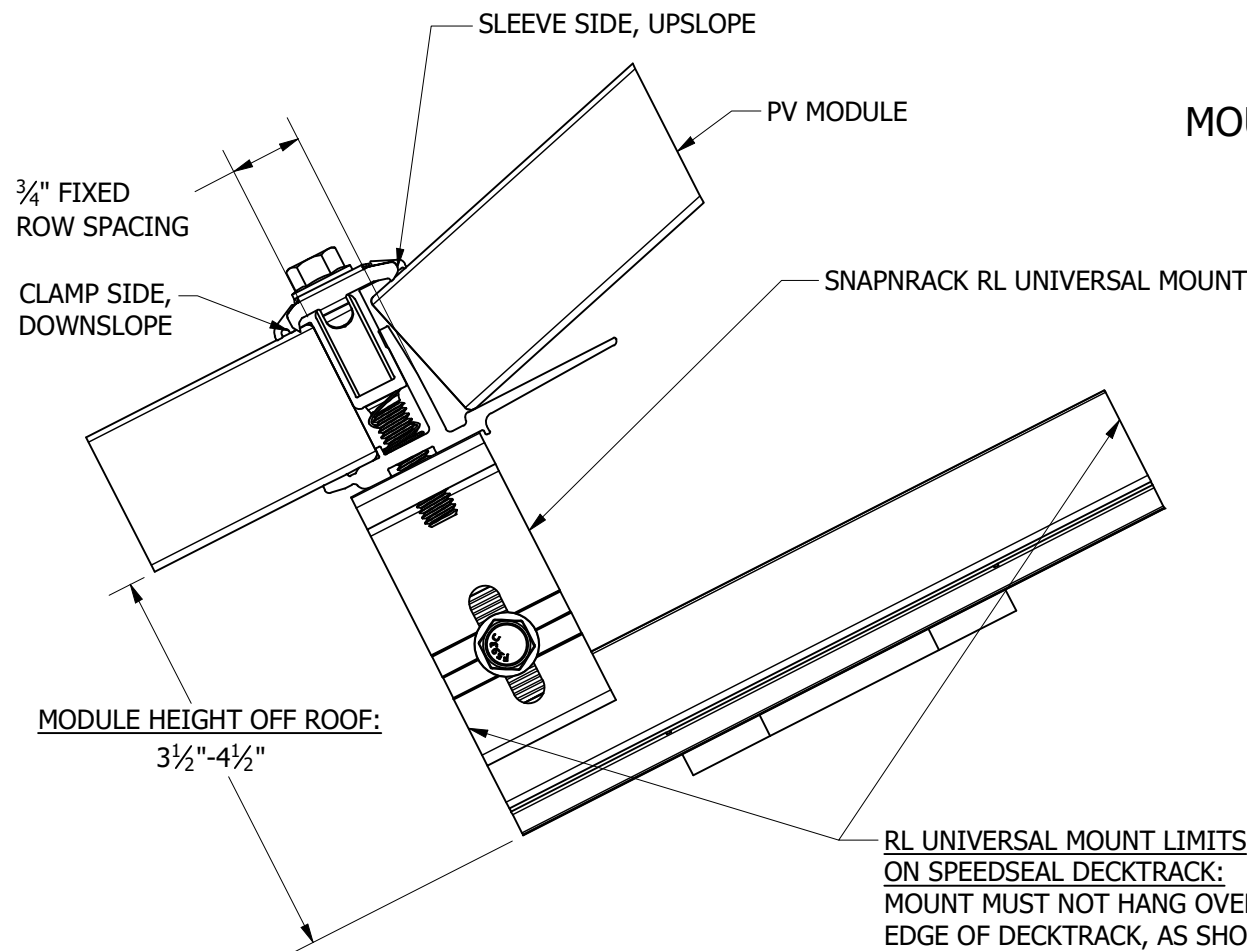
THE SNAPNRACK RL UNIVERSAL MOUNT ATTACHES TO THE SNAPNRACK SPEEDSEAL DECKTRACK. IT CAN BE "FLIP-FLOPPED" IN THE DECKTRACK, AS SHOWN, TO REDUCE MODULE CANTILEVER AND ELIMINATE MOUNT-LINK INTERFERENCE



MOUNT "FLIP-FLOP" ABILITY



SNAPNRACK RL UNIVERSAL MOUNT, ASSEMBLY



CLAMP-SLEEVE ATTACHMENT

SNAPNRACK RL UNIVERSAL MOUNT, EXPLODED