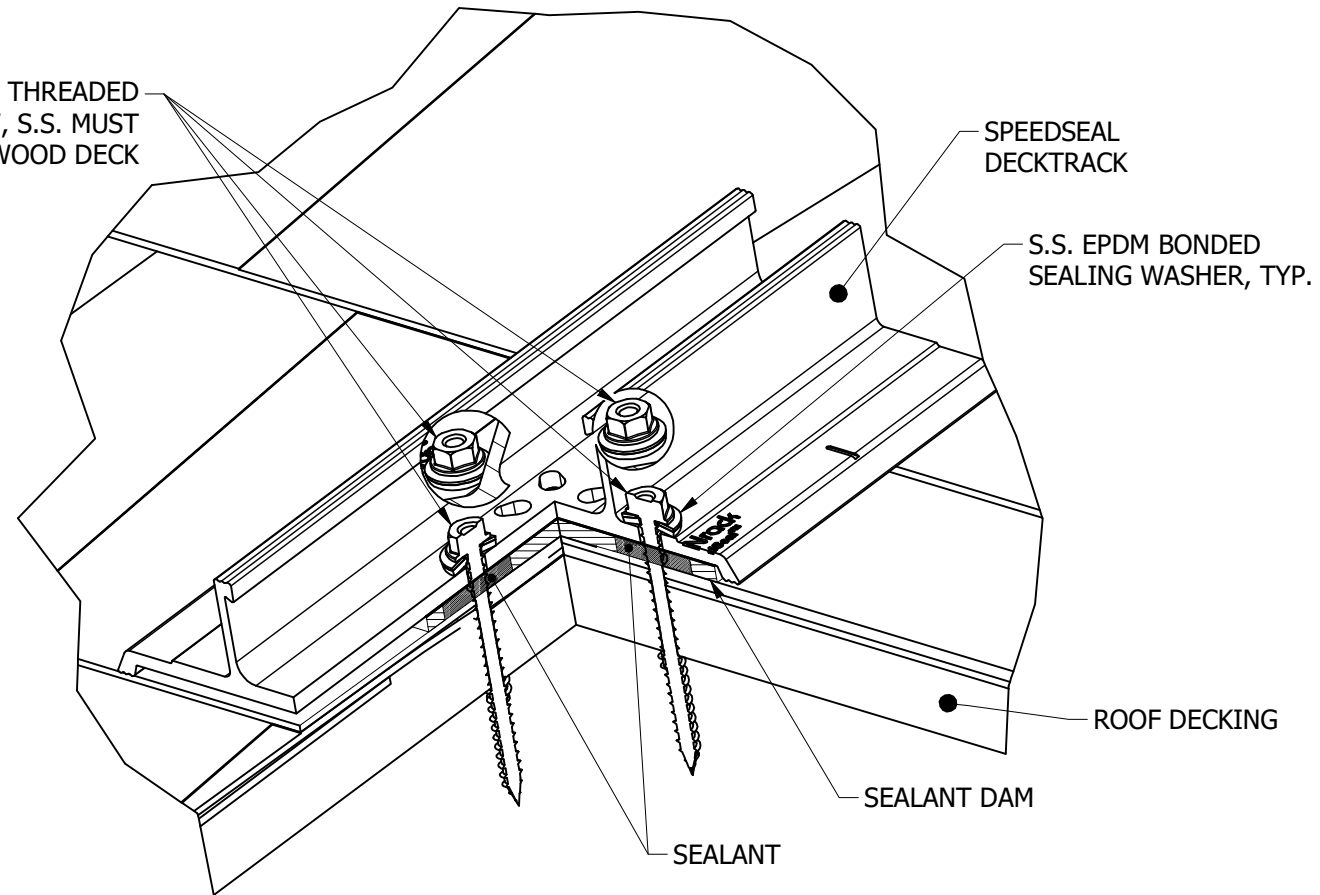


SNAPRACK RL UNIVERSAL SPEEDSEAL DECKTRACK  
 COMPOSITION ROOF MOUNTING ONTO DECK  
 REFER TO SNAPRACK ENGINEERING CHARTS FOR  
 APPLICABLE RAIL SPANS  
 (X4) #14 FULLY THREADED WOOD SCREWS, S.S.  
 MUST EMBED FULLY INTO WOOD DECK

| REVISION: |          |            |    |
|-----------|----------|------------|----|
| 1         | 1/8/2021 | NEW DETAIL | DR |
|           |          |            |    |
|           |          |            |    |
|           |          |            |    |
|           |          |            |    |
|           |          |            |    |

(4X) #14 FULLY THREADED  
 WOOD SCREW, S.S. MUST  
 EMBED FULLY INTO WOOD DECK

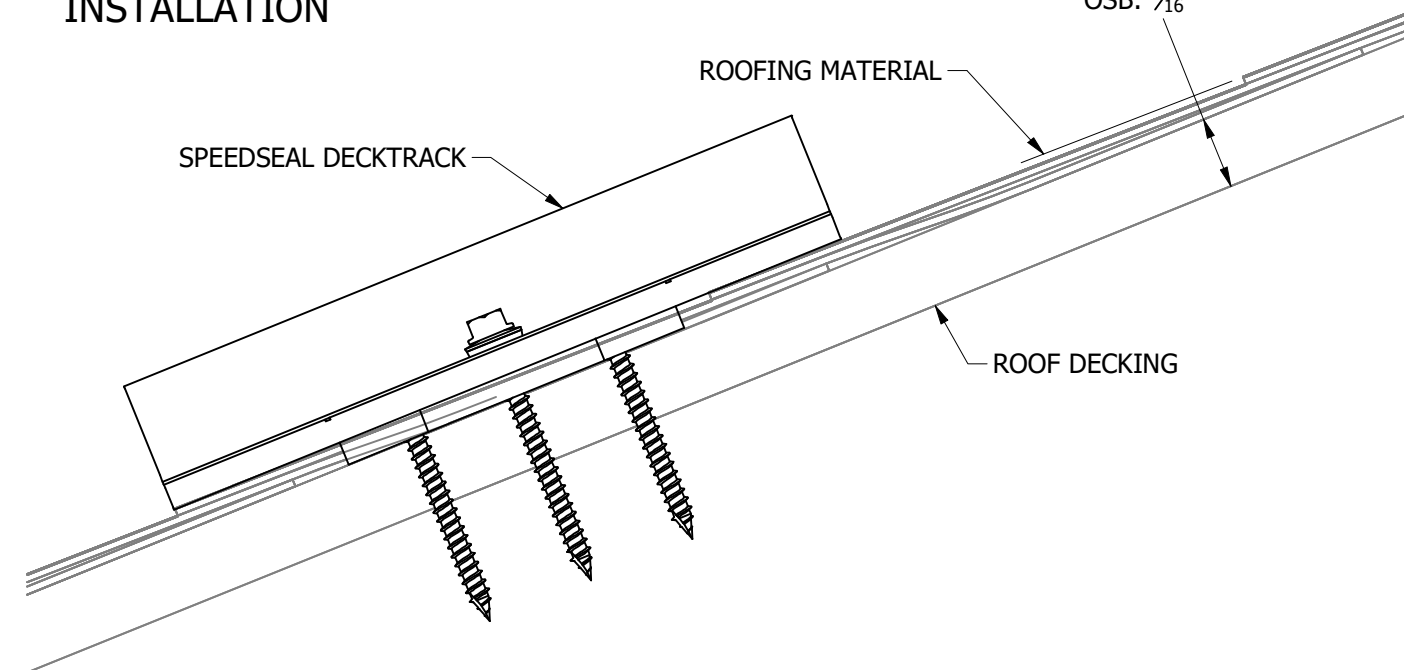


COMPLETED  
 INSTALLATION

**MINIMUM DECK THICKNESS:**

PLYWOOD: 15/32"

OSB: 7/16"



COMPLETED INSTALLATION

