

SNAPRACK RL UNIVERSAL SPEEDSEAL DECKTRACK
COMPOSITION ROOF MOUNTING ONTO DECK

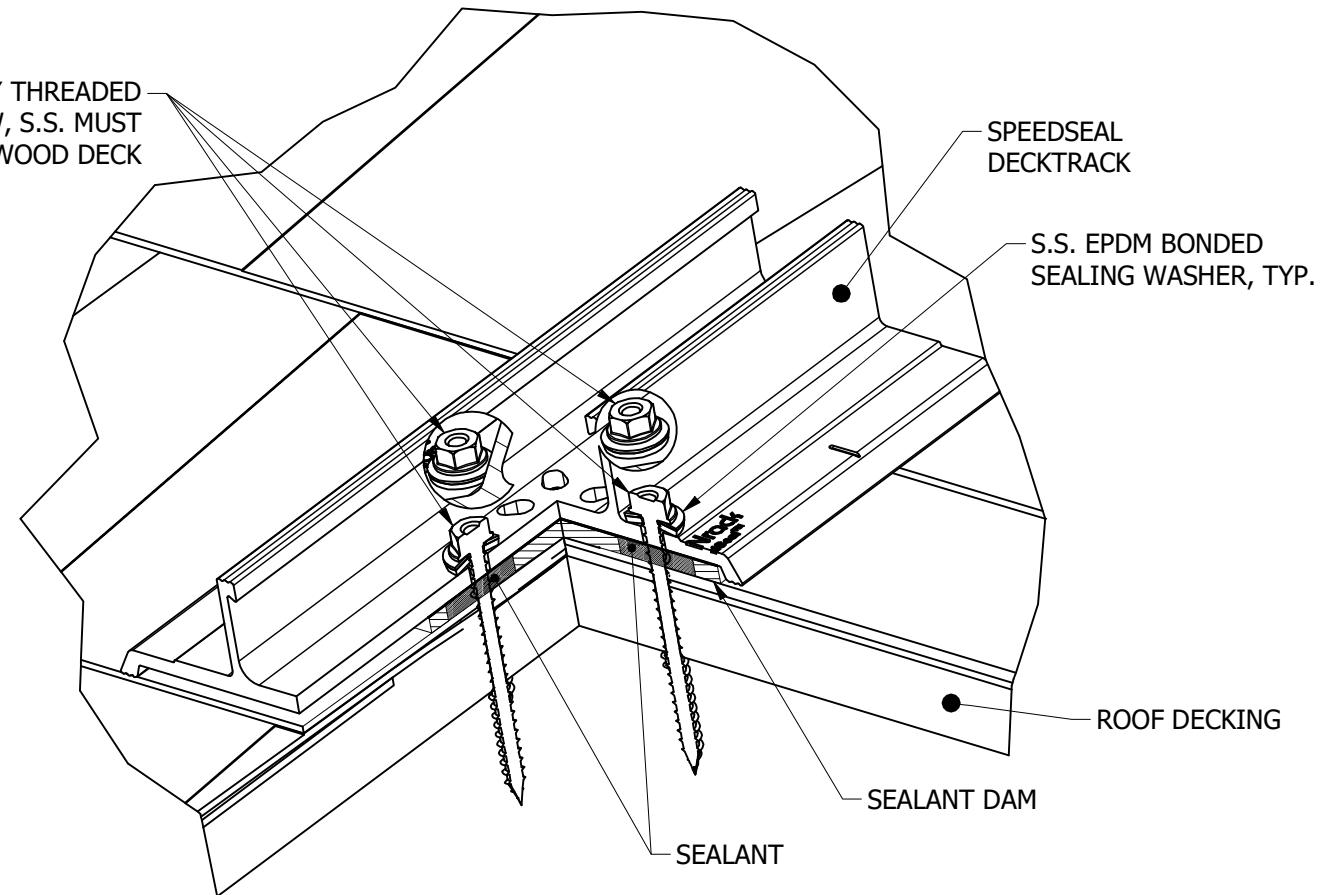
REFER TO SNAPRACK ENGINEERING CHARTS FOR
APPLICABLE RAIL SPANS

(X4) #14 FULLY THREADED WOOD SCREWS, S.S.
MUST EMBED FULLY INTO WOOD DECK

*DECKTRACK CAN BE ROTATED 90 DEGREES
RELATIVE TO SHOWN ORIENTATION

REVISION:			
REV	DATE	DESCRIPTION	BY
1	1/8/2021	NEW DETAIL	DR
B	4/6/2022	DC001091	MKW

(4X) #14 FULLY THREADED
WOOD SCREW, S.S. MUST
EMBED FULLY INTO WOOD DECK

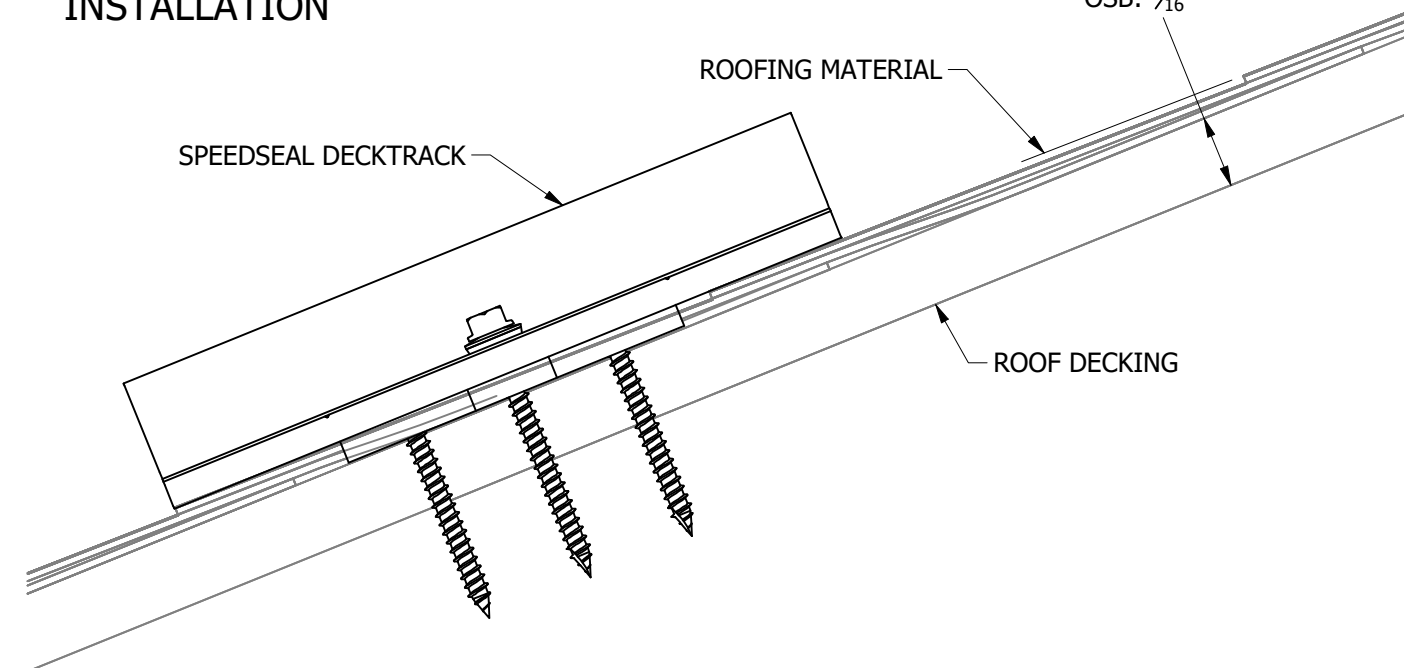


COMPLETED
INSTALLATION

MINIMUM DECK THICKNESS:

PLYWOOD: 15/32"

OSB: 7/16"



COMPLETED INSTALLATION

