

DESCRIPTION:
**SNAPNRACK, TDS, RL UNIVERSAL, SPEEDSEAL
 DECKTRACK**

DOC NUMBER:
 SNR-DC-01344

SnapNrack®

PART NUMBER(S):

242-02171

DRAWN BY:

H.WULFEKOETTER

REV:

B

DATE:

1/20/2023

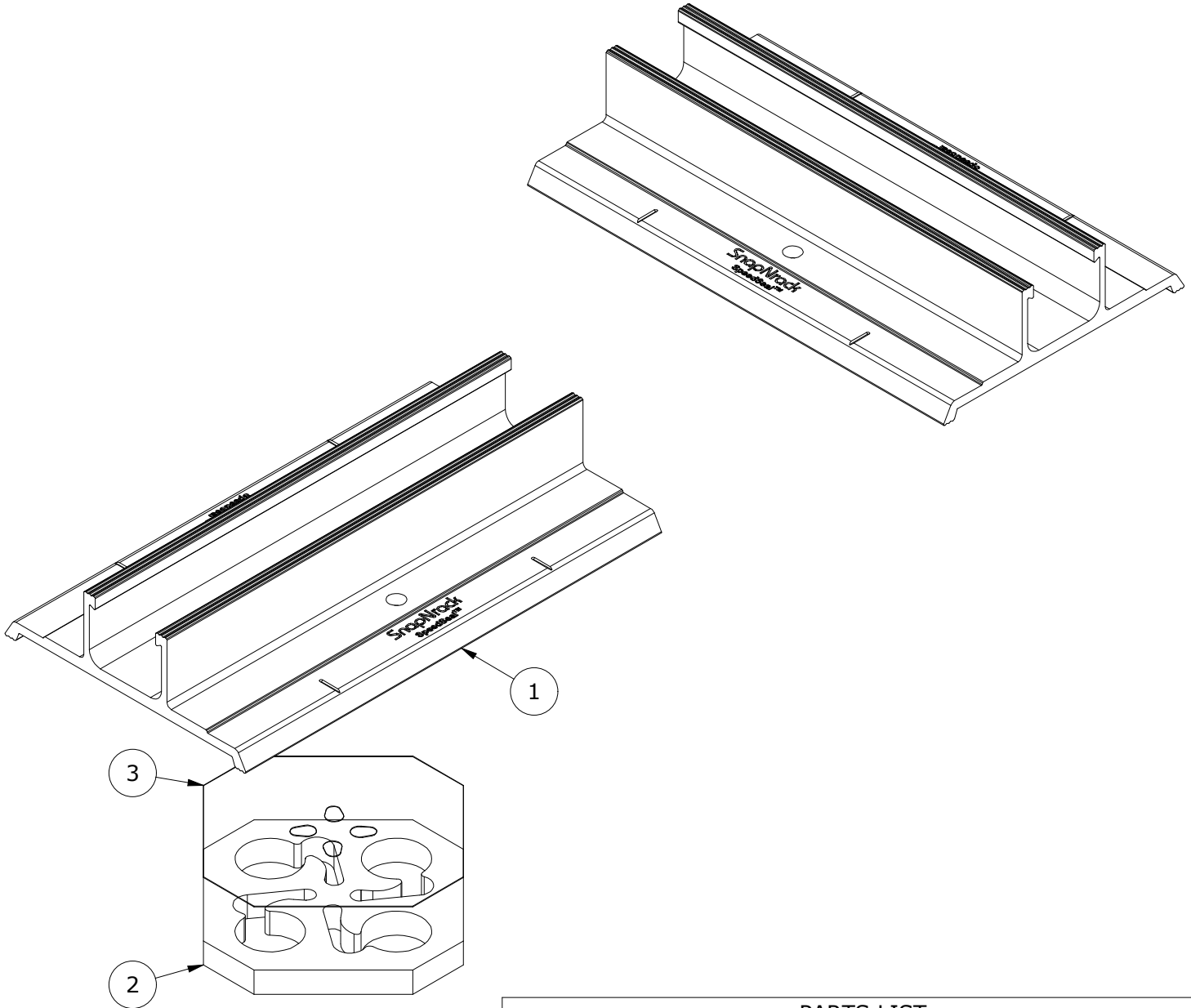
SUNRUN INSTALLATION SERVICES INC.

225 BUSH STREET, SUITE 1400 • SAN FRANCISCO, CA 94104 USA
 PHONE (877) 732-2860 • CONTACT@SNAPNRACK.COM

THE INFORMATION IN THIS DRAWING IS CONFIDENTIAL AND PROPRIETARY. ANY
 REPRODUCTION, DISCLOSURE, OR USE THEREOF IS PROHIBITED WITHOUT THE
 WRITTEN CONSENT OF SUNRUN SOUTH LLC.

UNITS: IN, LB, DEG [MM, KG, DEG]

SHEET: 1:2



PARTS LIST

ITEM	QTY	DESCRIPTION
1	1	SNAPNRACK, SPEEDSEAL DECKTRACK, 7-1/2IN, MILL
2	1	SNAPNRACK, SPEEDSEAL DECKTRACK SEALANT DAM
3	1	SNAPNRACK, SPEEDSEAL DECKTRACK HOLE COVER

NOTE:
 CAN BE DECK-MOUNTED OR
 RAFTER-MOUNTED

MATERIALS:	6000 SERIES ALUMINUM, PET PLASTIC, FOAM
DESIGN LOAD (LBS):	SEE STRUCTURAL ENGINEERING
ULTIMATE LOAD (LBS):	SEE STRUCTURAL ENGINEERING
TORQUE SPECIFICATION:	N/A FT-LBS
CERTIFICATION:	UL 2703, FILE E359313; WIND-DRIVEN RAIN TEST FROM SUBJECT UL 2582
WEIGHT (LBS):	0.84

DESCRIPTION:
SNAPNRACK, TDS, RL UNIVERSAL, SPEEDSEAL
DECKTRACK

DOC NUMBER:
SNR-DC-01344

SnapNrack®

PART NUMBER(S):

242-02171

DRAWN BY:
H.WULFEKOETTER

REV: **B**

DATE:
1/20/2023

SUNRUN INSTALLATION SERVICES INC.

225 BUSH STREET, SUITE 1400 • SAN FRANCISCO, CA 94104 USA
PHONE (877) 732-2860 • CONTACT@SNAPNRACK.COM

THE INFORMATION IN THIS DRAWING IS CONFIDENTIAL AND PROPRIETARY. ANY
REPRODUCTION, DISCLOSURE, OR USE THEREOF IS PROHIBITED WITHOUT THE
WRITTEN CONSENT OF SUNRUN SOUTH LLC.

UNITS: IN, LB, DEG [MM, KG, DEG]

SHEET: 2:2

