

DESCRIPTION:  
**SNAPNRACK, ULTRA RAIL ALL PURPOSE L FOOT  
 (90 DEG)**

DRAWN BY:

mwatkins

**SnapNrack®**

PART NUMBER(S):

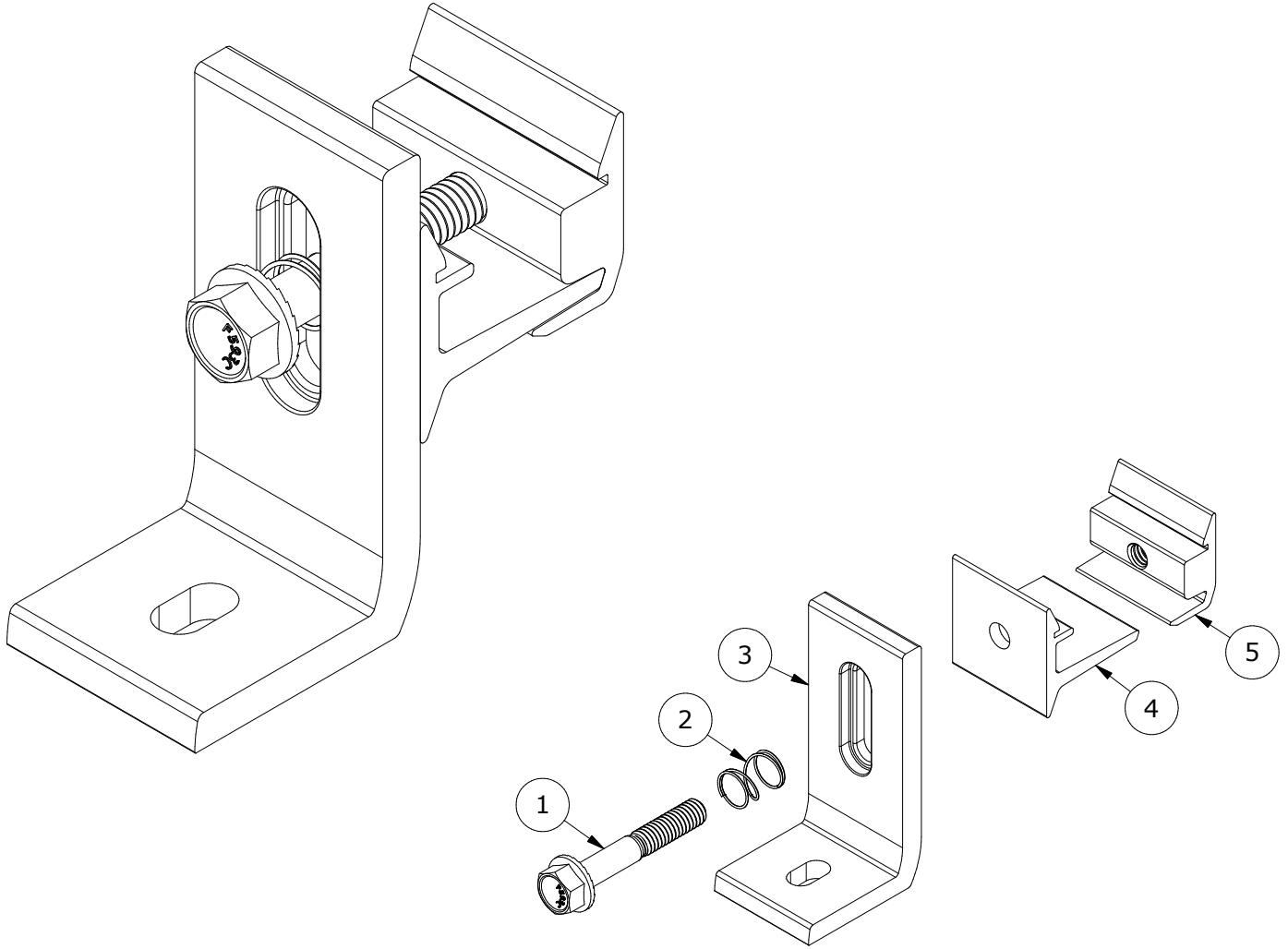
242-01223, 242-01239

REVISION:

**C**

595 MARKET STREET, 29TH FLOOR • SAN FRANCISCO, CA 94105 USA  
 PHONE (415) 580-6900 • FAX (415) 580-6902

THE INFORMATION IN THIS DRAWING IS CONFIDENTIAL AND PROPRIETARY. ANY  
 REPRODUCTION, DISCLOSURE, OR USE THEREOF IS PROHIBITED WITHOUT THE  
 WRITTEN CONSENT OF SUNRUN SOUTH LLC.



**PARTS LIST**

ITEM	QTY	DESCRIPTION
1	1	BOLT, FLANGE, SERRATED, 5/16IN-18 X 2IN, SS
2	1	SNAPNRACK, RL UNIVERSAL, MOUNT SPRING, SS
3	1	SNAPNRACK, AP90 L FOOT, STEPPED, SILVER / BLACK
4	1	SNAPNRACK, ULTRA RAIL MOUNT THRU PRC, SILVER / BLACK
5	1	SNAPNRACK, ULTRA RAIL MOUNT TAPPED PRC, SILVER / BLACK

MATERIALS:	6000 SERIES ALUMINUM, STAINLESS STEEL	OPTIONS:
DESIGN LOAD (LBS):	405 UP, 788 DOWN, 213 SIDE	SILVER / BLACK ANODIZED
ULTIMATE LOAD (LBS):	N/A	
TORQUE SPECIFICATION:	12 LB-FT	
CERTIFICATION:	UL 2703, FILE E359313	
WEIGHT (LBS):	0.36	

DESCRIPTION:  
SNAPRACK, ULTRA RAIL ALL PURPOSE L FOOT  
(90 DEG)

DRAWN BY:

mwatkins

SnapNrack®

PART NUMBER(S):

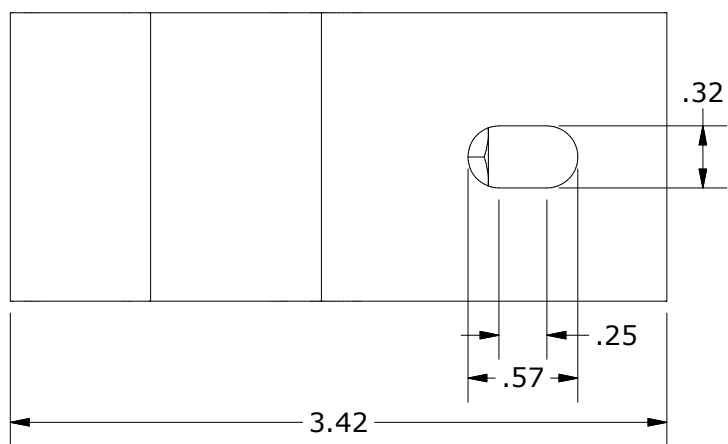
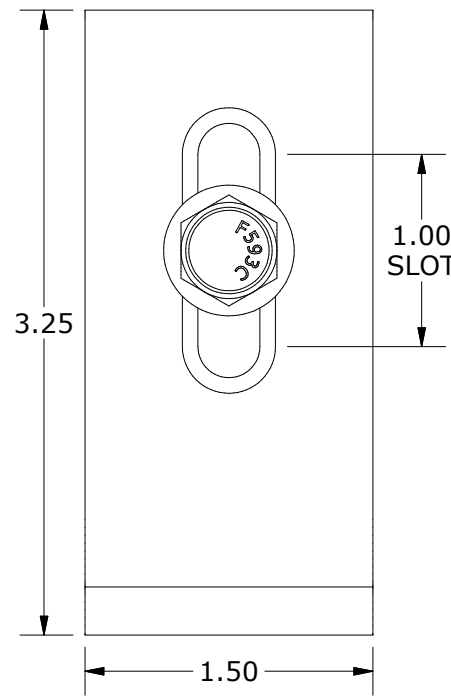
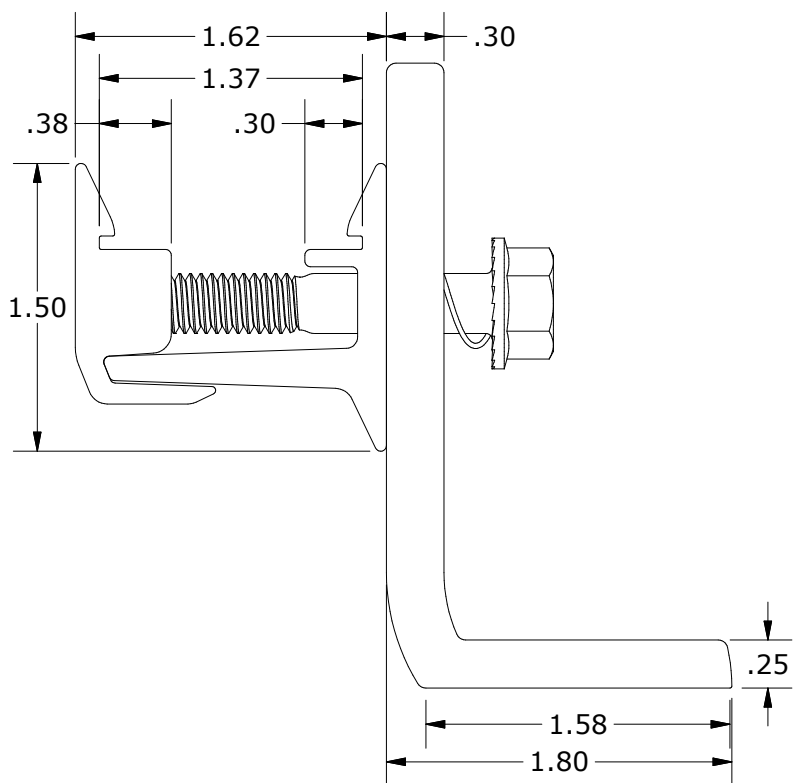
242-01223, 242-01239

REVISION:

C

595 MARKET STREET, 29TH FLOOR • SAN FRANCISCO, CA 94105 USA  
PHONE (415) 580-6900 • FAX (415) 580-6902

THE INFORMATION IN THIS DRAWING IS CONFIDENTIAL AND PROPRIETARY. ANY  
REPRODUCTION, DISCLOSURE, OR USE THEREOF IS PROHIBITED WITHOUT THE  
WRITTEN CONSENT OF SUNRUN SOUTH LLC.



ALL DIMENSIONS IN INCHES