

DESCRIPTION:
**SNAPNRACK, ULTRA RAIL ALL PURPOSE L
 FOOT (90 DEG)**

DOC NUMBER:
 SNR-DC-01334

SnapNrack®

PART NUMBER(S):

242-01223, 242-012399

DRAWN BY:
 WULFEKOETTER

REV: **C** DATE:
 1/19/2023

SUNRUN INSTALLATION SERVICES INC.

225 BUSH STREET, SUITE 1400 • SAN FRANCISCO, CA 94104 USA
 PHONE (877) 732-2860 • CONTACT@SNAPNRACK.COM

THE INFORMATION IN THIS DRAWING IS CONFIDENTIAL AND PROPRIETARY. ANY
 REPRODUCTION, DISCLOSURE, OR USE THEREOF IS PROHIBITED WITHOUT THE
 WRITTEN CONSENT OF SUNRUN SOUTH LLC.

UNITS: IN, LB, DEG [MM, KG, DEG]

SHEET: 1:2

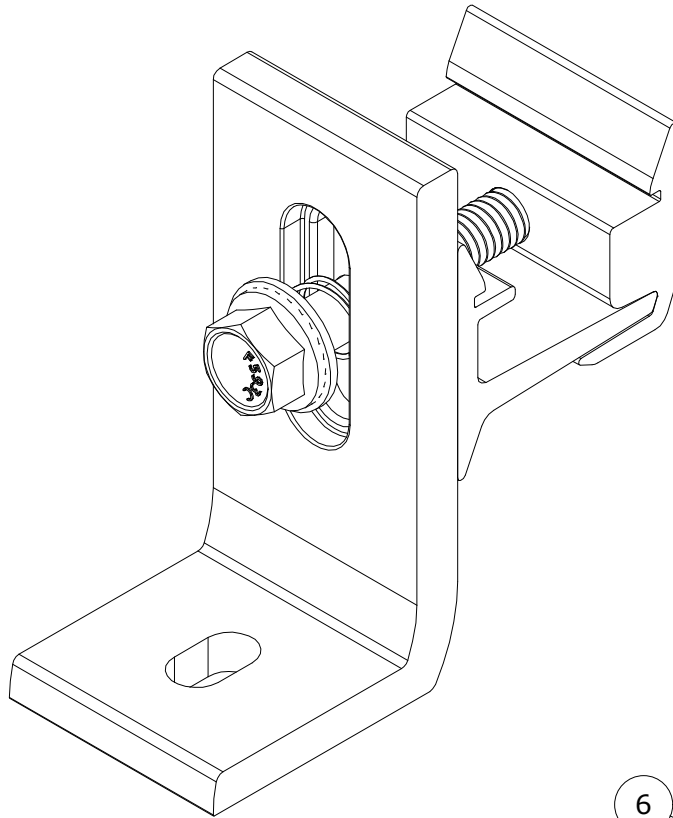
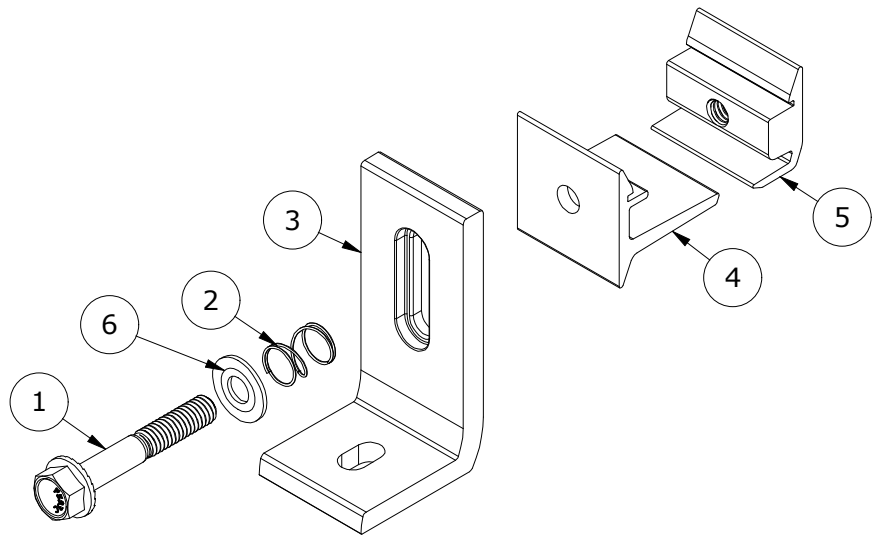


TABLE	
SKU	COLOR
242-01223	SILVER
242-01239	BLACK



PARTS LIST		
ITEM	QTY	DESCRIPTION
1	1	BOLT, FLANGE, SERRATED, 5/16IN-18 X 2IN, SS
2	1	SNAPNRACK, RL UNIVERSAL, MOUNT SPRING, SS
3	1	SNAPNRACK, AP90 L FOOT, STEPPED, SILVER / BLACK
4	1	SNAPNRACK, ULTRA RAIL MOUNT THRU PRC, SILVER / BLACK
5	1	SNAPNRACK, ULTRA RAIL MOUNT TAPPED PRC, SILVER / BLACK
6	1	5-16IN X 3-4IN SS FLAT WASHER

MATERIALS: 6000 SERIES ALUMINUM, STAINLESS STEEL

DESIGN LOAD (LBS): 405 UP, 788 DOWN, 213 SIDE

ULTIMATE LOAD (LBS): N/A

TORQUE SPECIFICATION: 12 FT-LBS

CERTIFICATION: UL 2703, FILE E359313

WEIGHT (LBS): 0.36

DESCRIPTION:
SNAPNRACK, ULTRA RAIL ALL PURPOSE L FOOT (90 DEG)

DOC NUMBER:
 SNR-DC-01334

SnapNrack®

PART NUMBER(S):

242-01223, 242-012399

DRAWN BY:
 WULFEKOETTER

REV: **C** DATE:
 1/19/2023

SUNRUN INSTALLATION SERVICES INC.

225 BUSH STREET, SUITE 1400 • SAN FRANCISCO, CA 94104 USA
 PHONE (877) 732-2860 • CONTACT@SNAPNRACK.COM

THE INFORMATION IN THIS DRAWING IS CONFIDENTIAL AND PROPRIETARY. ANY REPRODUCTION, DISCLOSURE, OR USE THEREOF IS PROHIBITED WITHOUT THE WRITTEN CONSENT OF SUNRUN SOUTH LLC.

UNITS: IN, LB, DEG [MM, KG, DEG]

SHEET: 2:2

