

THE SNAPNRACK TILT-MOUNT (FIXED TILT) IS A SIMPLE SOLUTION FOR INSTALLATIONS REQUIRING MODULE TILT BEYOND THE EXISTING ROOF SLOPE. IT IS DESIGNED FOR TILT ANGLES FROM 0°-30° ABOVE THE HORIZONTAL UTILIZING FIXED STANDOFF HEIGHTS

THE SNAPNRACK TILT-MOUNT IS COMPATIBLE WITH THE VARIOUS SNAPNRACK ROOF ATTACHMENTS SHOWN. REFER TO SPECIFIC "ATTACHMENT DETAIL"

REFER TO SNAPNRACK ENGINEERING CHARTS FOR APPLICABLE RAIL SPANS. "BIN" NUMBER ON CHART SHOULD MATCH "BIN" NUMBER ON THIS DRAWING

REFER TO THE SNAPNRACK INSTALLATION MANUAL FOR 5/16"Ø HARDWARE TORQUE SPECIFICATIONS

FOR ADDITIONAL SYSTEM REQUIREMENTS, INCLUDING MODULE OVERHANG, SEE "SNR-DC-00329 ULTRA RAIL, SYSTEM OVERVIEW, TYPICAL"

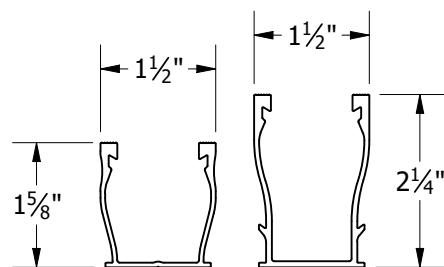
FOR LEVELING REQUIREMENTS SEE "SNR-DC-00334 ULTRA RAIL, COMPONENT DETAIL, LEVELING SPACER ON STANDOFF"

RAILS CAN MOUNT ON ANY SIDE OF THE STANDOFF POST

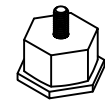
FOR "ROOF PITCH" GREATER THAN 7°, "TILT ANGLE" MUST BE IN SAME DIRECTION AS "ROOF PITCH"

THE SNAPNRACK OMNISHIELD CAN BE USED TO CHEMICALLY FLASH LOW SLOPE ROOF APPLICATIONS.

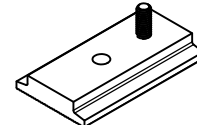
IT IS REQUIRED WHEN DECK MOUNTING THE SNAPNRACK TILT-MOUNT KIT (FIXED TILT)



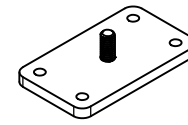
UR-40 RAIL | UR-60 RAIL
FOR USE WITH SNAPNRACK ULTRA SERIES RAILS



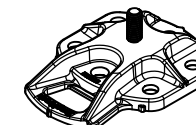
METAL ROOF BASE:
BIN 10
DETAIL: SNR-DC-00352
DETAIL: SNR-DC-00353



1-HOLE BASE:
BIN 10
DETAIL: SNR-DC-00348
DETAIL: SNR-DC-00349



4-HOLE BASE:
BIN 11
DETAIL: SNR-DC-00350
DETAIL: SNR-DC-00357
DETAIL: SNR-DC-00358
DETAIL: SNR-DC-00359

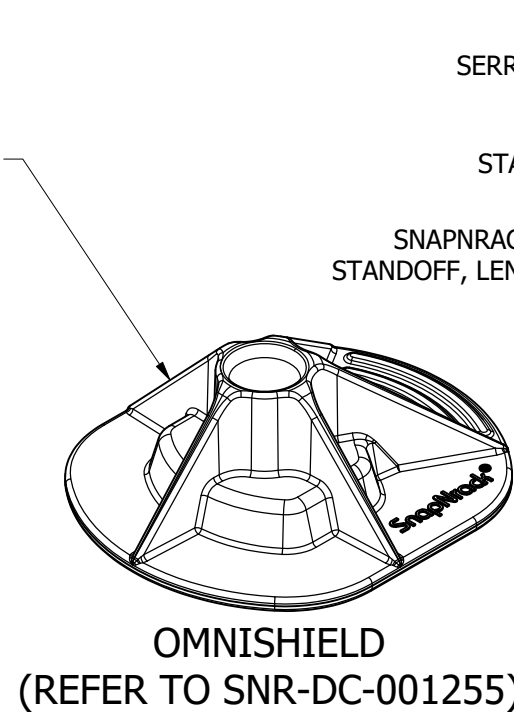
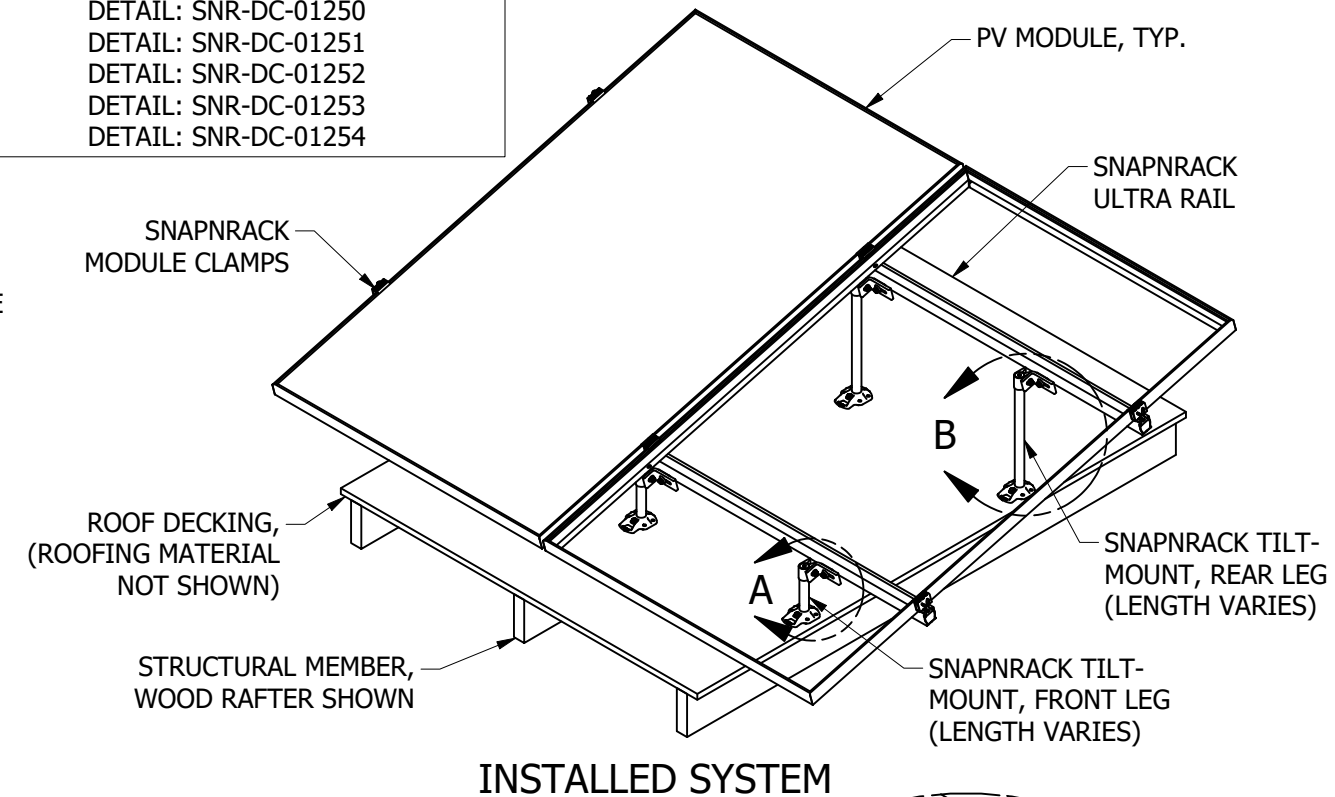
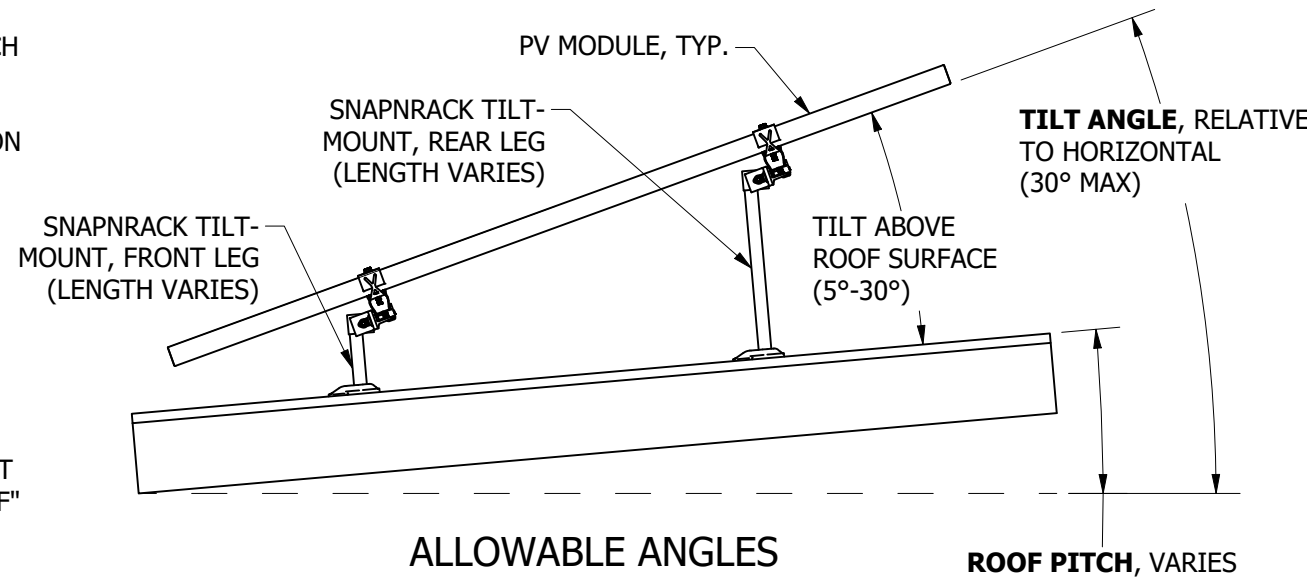


OMNIBASE
BIN 10 AND PZSE ADDENDUM 2022-15278
DETAIL: SNR-DC-01249
DETAIL: SNR-DC-01250
DETAIL: SNR-DC-01251
DETAIL: SNR-DC-01252
DETAIL: SNR-DC-01253
DETAIL: SNR-DC-01254

***COMPATIBLE ROOF ATTACHMENTS FOR FIXED TILT**

BIN:
***TABLE**

REVISION:			
1	5/7/2019	NEW DETAIL	MJA
2	6/22/2021	+OMNIBASE	MJA
C	8/2/2021	DC000595	MJA
D	10/25/2021	DC000727	MJA
E	4/7/2023	DC002278	MJA

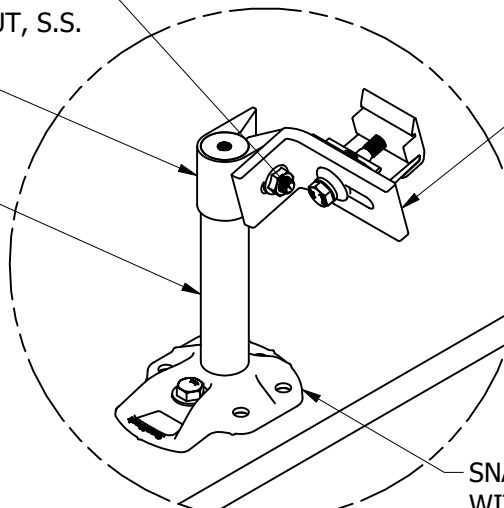


OMNISHIELD
(REFER TO SNR-DC-001255)

5/16"-18 BOLT WITH
SERRATED FLANGE NUT, S.S.

SNAPNRACK
STANDOFF CLAMP

SNAPNRACK STANDARD
STANDOFF, LENGTH VARIES:
5-1/2" OR 10"

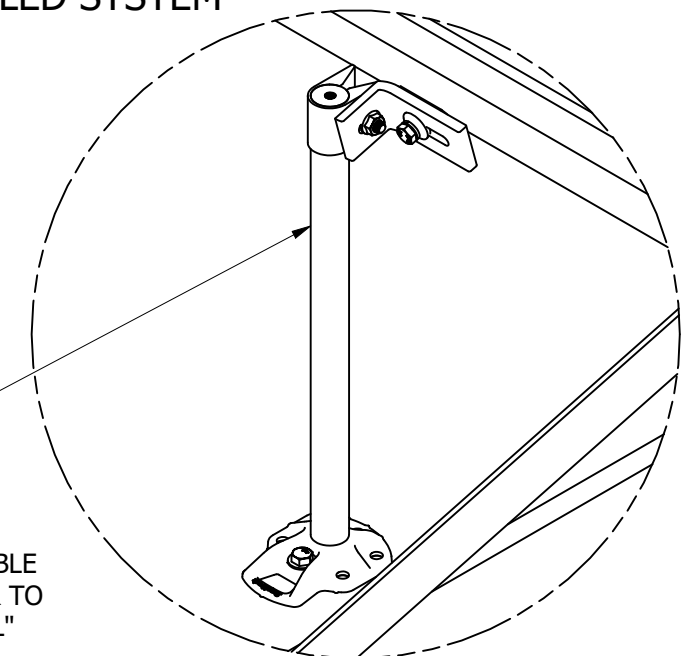


DETAIL A
FIXED TILT, FRONT LEG
(RAIL HIDDEN)

SNAPNRACK AP 90 L FOOT
WITH UR MOUNT HARDWARE

SNAPNRACK STANDARD
STANDOFF, LENGTH VARIES:
10", 14" OR 23"

SNAPNRACK ROOF ATTACHMENT - COMPATIBLE
WITH ATTACHMENTS SHOWN ABOVE. REFER TO
SPECIFIC SNAPNRACK "ATTACHMENT DETAIL"



DETAIL B
FIXED TILT, REAR LEG