

SNAPNRACK ULTRA RAIL STANDARD STANDOFF ON OMNIBASE FOR MOUNTING TO VARIOUS ROOF TYPES

REFER TO SNAPNRACK ENGINEERING CHARTS FOR APPLICABLE RAIL SPANS. "BIN" NUMBER ON CHART SHOULD MATCH "BIN" NUMBER ON THIS DRAWING

5/16"Ø S.S. LAG SCREW MUST EMBED A MIN. OF 2 1/2" INTO STRUCTURAL MEMBER FOR SNAPNRACK ENGINEERING TO APPLY

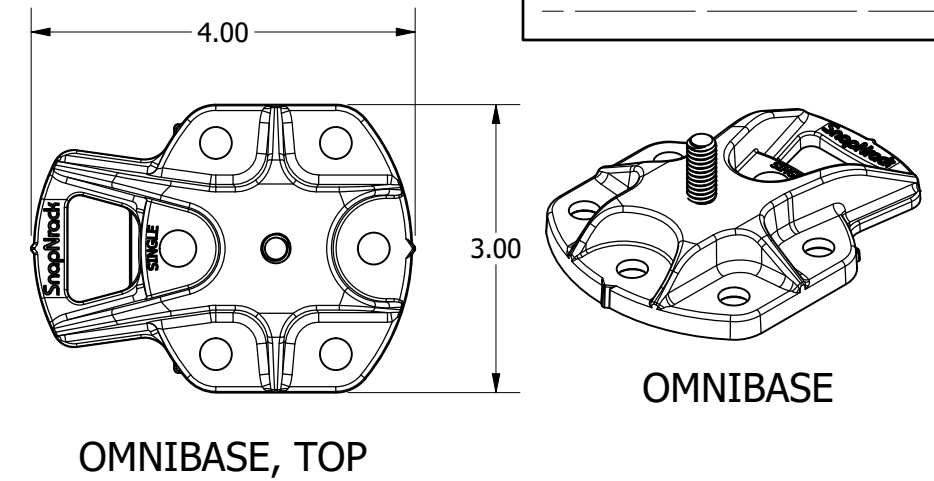
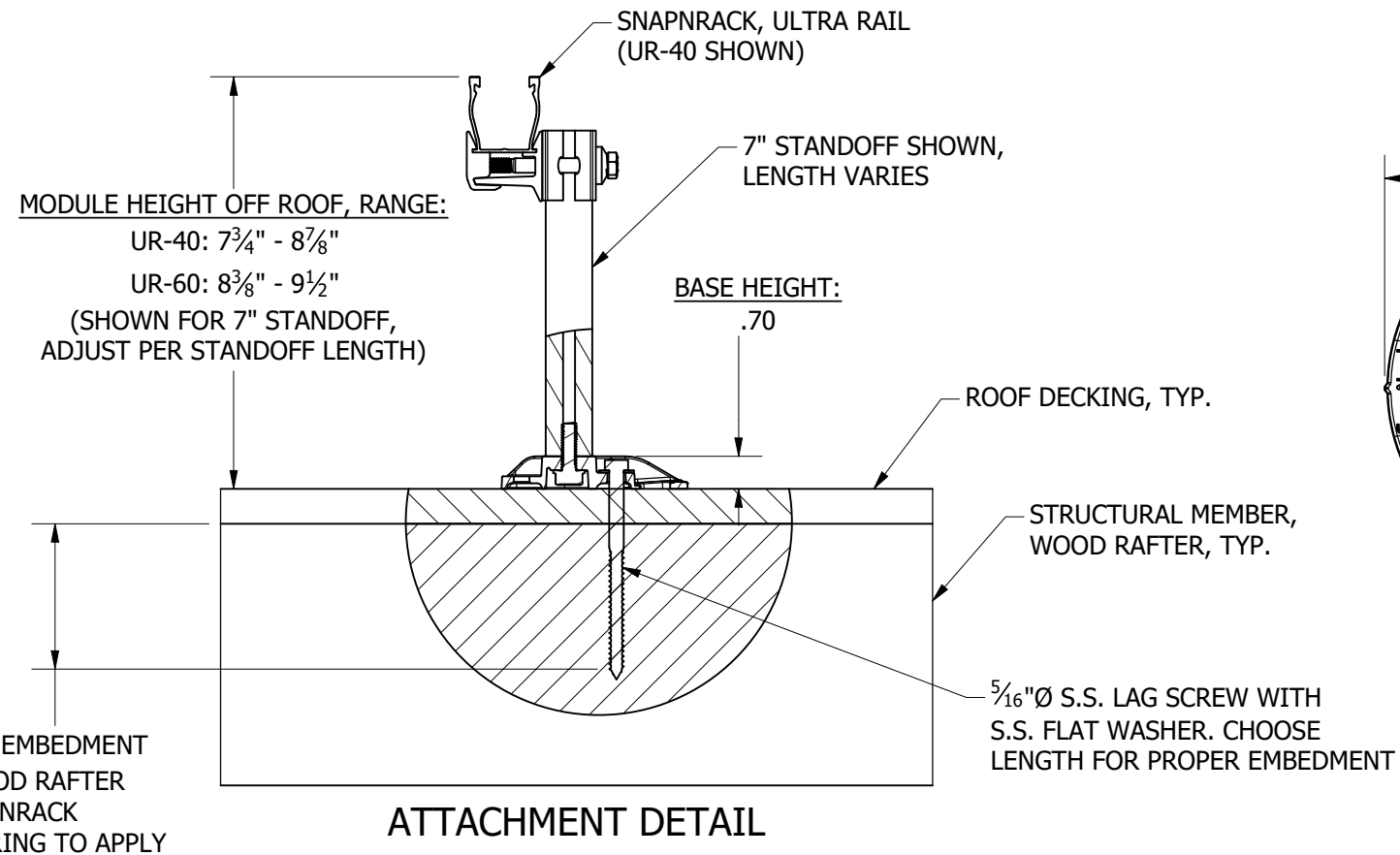
REFER TO SNAPNRACK INSTALLATION MANUAL FOR 5/16"Ø HARDWARE TORQUE SPECIFICATIONS

SNAPNRACK OMNIBASE CAN MOUNT IN ANY ORIENTATION ON THE ROOF AND RAILS CAN MOUNT ON ANY SIDE OF THE STANDOFF POST

FOR ADDITIONAL LEVELING DETAILS, REFER TO SNAPNRACK DETAIL DRAWINGS SNR-DC-00334 AND SNR-DC-00447

BIN:
5, 10

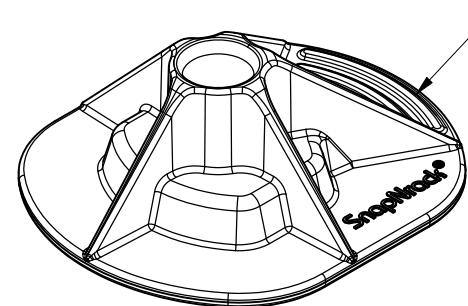
REVISION:			
1	6/22/2021	NEW DETAIL	MJA
A	8/2/2021	DC000595	MJA
B	10/25/2021	DC000727	MJA
C	4/7/2023	DC002278	MJA



2 1/2" MIN. EMBEDMENT INTO WOOD RAFTER FOR SNAPNRACK ENGINEERING TO APPLY

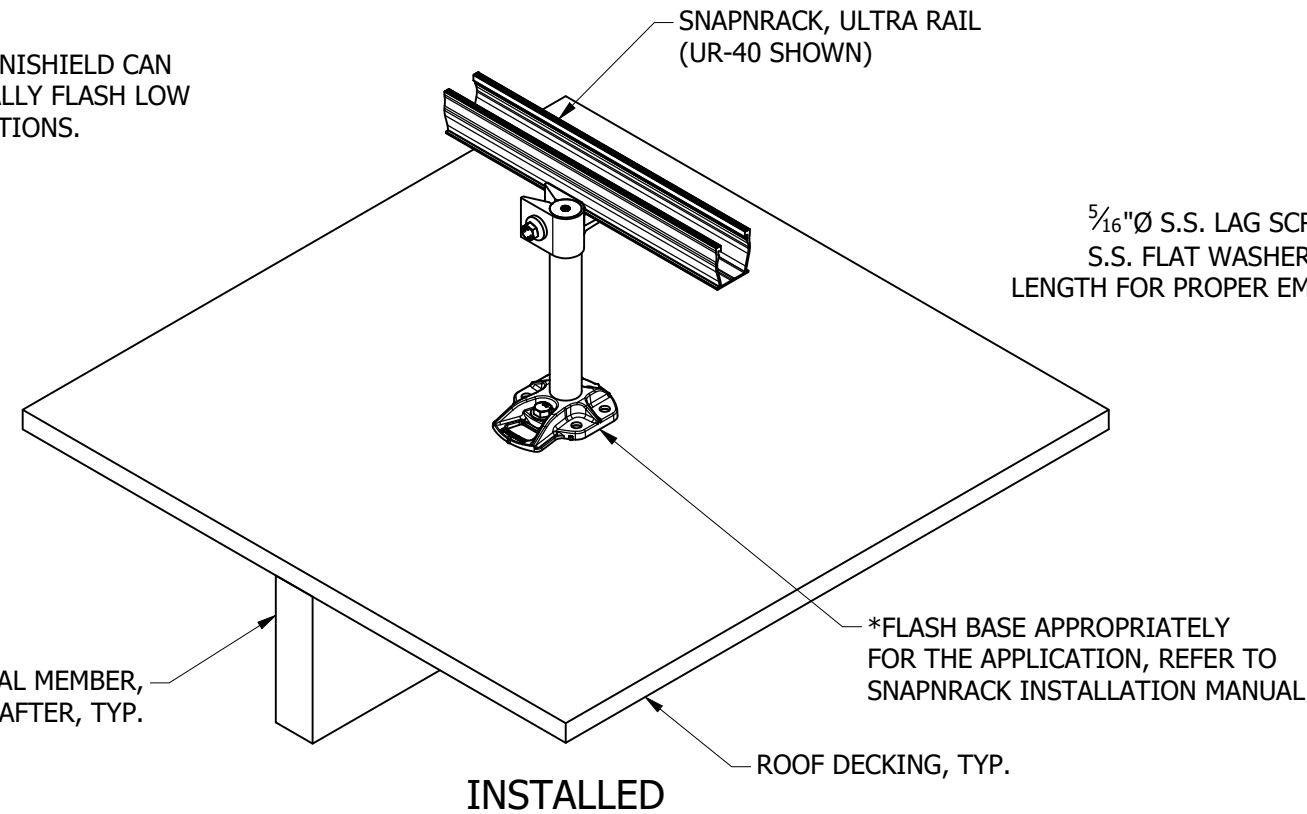
5/16"Ø S.S. LAG SCREW WITH S.S. FLAT WASHER. CHOOSE LENGTH FOR PROPER EMBEDMENT

SNAPNRACK, UR STANDOFF CLAMP ASSEMBLY. VARIES FOR FLUSH AND TILT APPLICATIONS



*THE SNAPNRACK OMNISHIELD CAN BE USED TO CHEMICALLY FLASH LOW SLOPE ROOF APPLICATIONS.

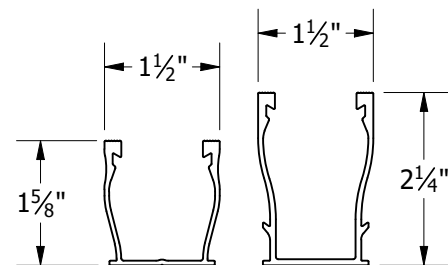
OMNISHIELD



5/16"Ø S.S. LAG SCREW WITH S.S. FLAT WASHER. CHOOSE LENGTH FOR PROPER EMBEDMENT

SNAPNRACK STANDOFF, LENGTH VARIES

SNAPNRACK, OMNIBASE



UR-40 RAIL | UR-60 RAIL

FOR USE WITH SNAPNRACK ULTRA SERIES RAILS

EXPLODED