

SNAPNRACK ULTRA RAIL STANDARD STANDOFF ON OMNIBASE FOR MOUNTING TO VARIOUS ROOF TYPES

REFER TO SNAPNRACK ENGINEERING CHARTS FOR APPLICABLE RAIL SPANS. "BIN" NUMBER ON CHART SHOULD MATCH "BIN" NUMBER ON THIS DRAWING

(2X) 5/16"Ø S.S. LAG SCREWS MUST EMBED A MIN. OF 1 1/2" EACH INTO STRUCTURAL MEMBER FOR STANDARD SNAPNRACK ENGINEERING TO APPLY

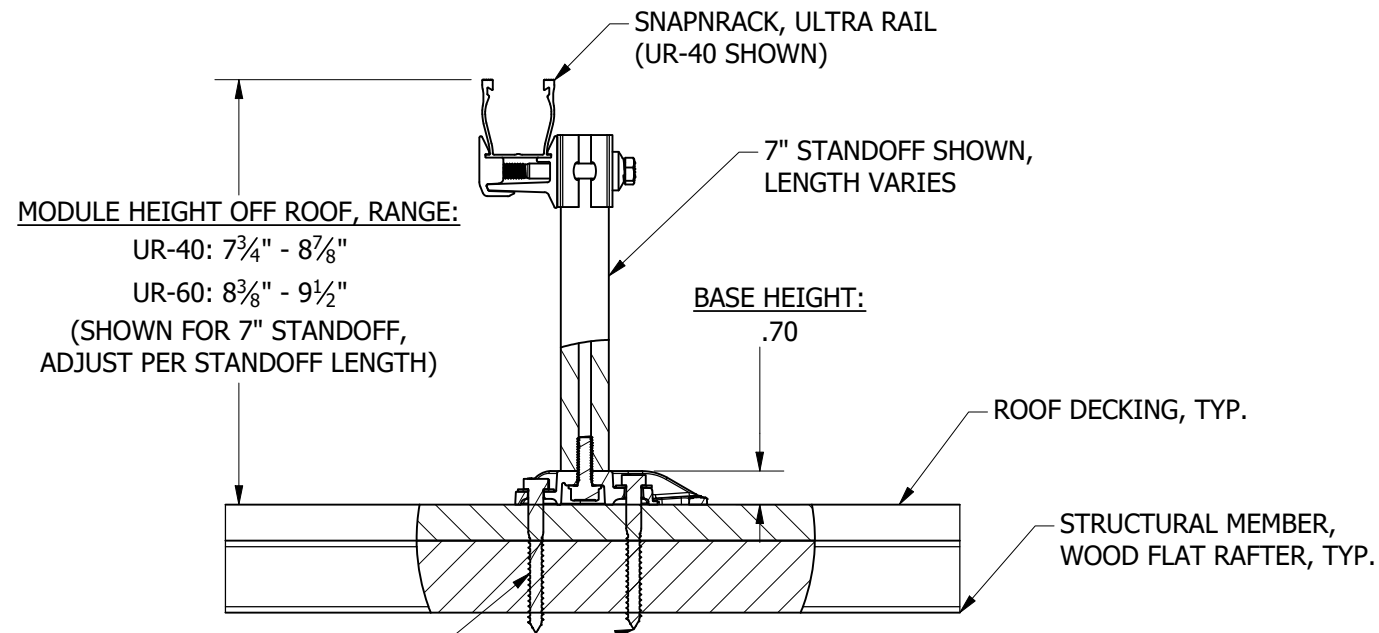
REFER TO SNAPNRACK INSTALLATION MANUAL FOR 5/16"Ø HARDWARE TORQUE SPECIFICATIONS

SNAPNRACK OMNIBASE CAN MOUNT IN ANY ORIENTATION ON THE ROOF AND RAILS CAN MOUNT ON ANY SIDE OF THE STANDOFF POST

FOR ADDITIONAL LEVELING DETAILS, REFER TO SNAPNRACK DETAIL DRAWINGS SNR-DC-00334 AND SNR-DC-00447

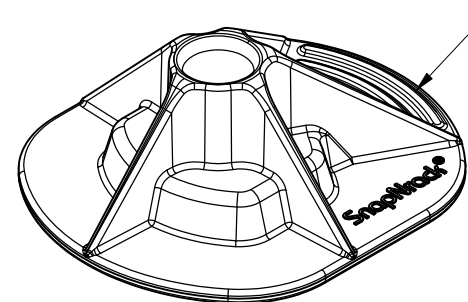
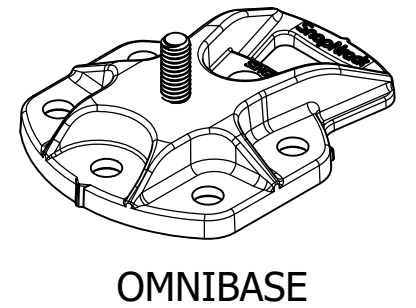
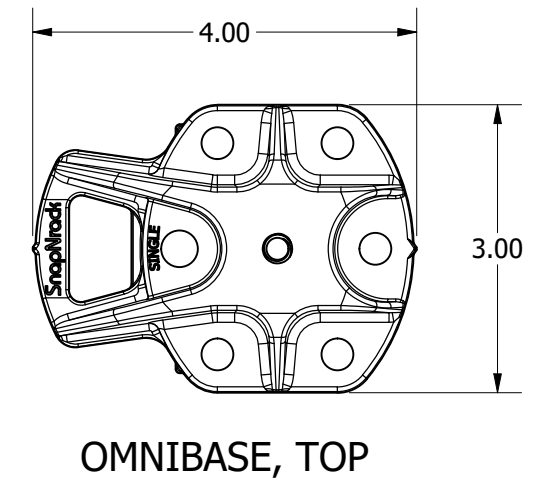
BIN:
5, 10

| REVISION: | | | |
|-----------|------------|------------|-----|
| 1 | 6/22/2021 | NEW DETAIL | MJA |
| A | 8/2/2021 | DC000595 | MJA |
| B | 10/25/2021 | DC000727 | MJA |
| C | 4/7/2023 | DC002278 | MJA |
| | | | |
| | | | |

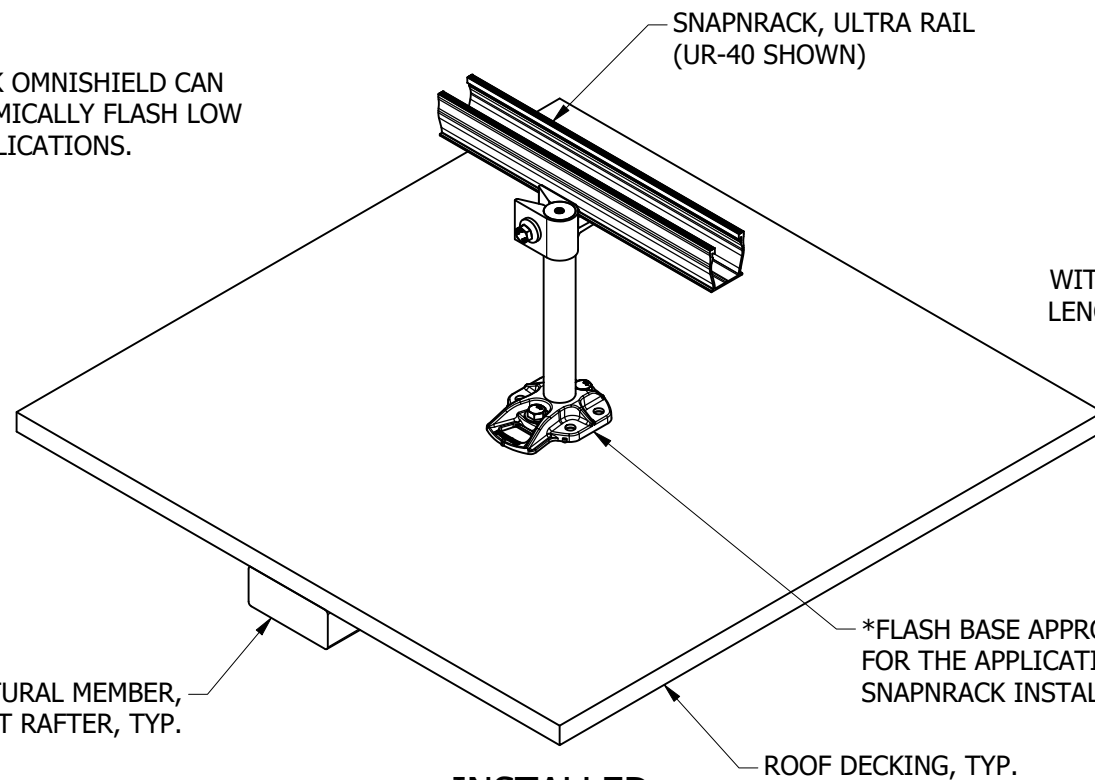


(2X) 5/16"Ø S.S. LAG SCREW WITH S.S. FLAT WASHER. 1 1/2" MIN EMBEDMENT, EACH, INTO WOOD FLAT RAFTER FOR SNAPNRACK ENGINEERING TO APPLY

ATTACHMENT DETAIL

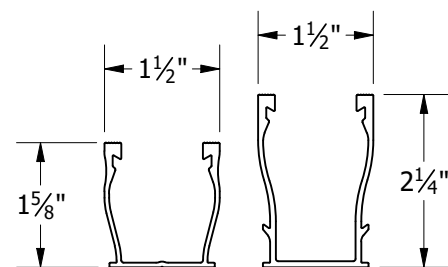
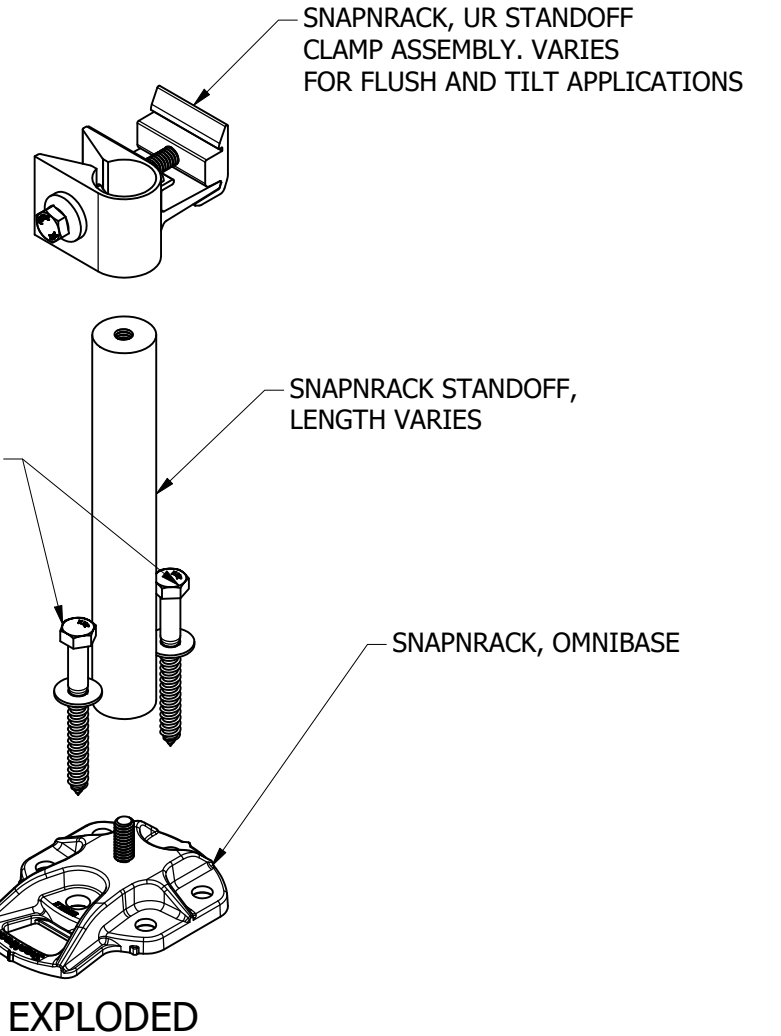


*THE SNAPNRACK OMNISHIELD CAN BE USED TO CHEMICALLY FLASH LOW SLOPE ROOF APPLICATIONS.



(2X) 5/16"Ø S.S. LAG SCREW WITH S.S. FLAT WASHER. CHOOSE LENGTH FOR PROPER EMBEDMENT

*FLASH BASE APPROPRIATELY FOR THE APPLICATION, REFER TO SNAPNRACK INSTALLATION MANUAL



FOR USE WITH SNAPNRACK ULTRA SERIES RAILS



Sunrun South LLC
595 MARKET STREET, 29TH FLOOR • SAN FRANCISCO, CA 94105 USA
PHONE (415) 580-6900 • FAX (415) 580-6902
THE INFORMATION IN THIS DRAWING IS CONFIDENTIAL AND PROPRIETARY. ANY REPRODUCTION, DISCLOSURE, OR USE THEREOF IS PROHIBITED WITHOUT THE WRITTEN CONSENT OF SUNRUN SOUTH LLC.

DESIGNER: M.AFFENTRANGER
DRAFTER: M.AFFENTRANGER
APPROVED BY: E.FERGUSON

SCALE: DNS
DATE: 4/7/2023

DRAWING NUMBER:
SNR-DC-01250

DESCRIPTION:
ULTRA RAIL, ATTACHMENT DETAIL, OMNIBASE WITH STANDOFF TO FLAT RAFTER

REV:
C