

SNAPNRACK ULTRA RAIL STANDARD STANDOFF ON OMNIBASE FOR MOUNTING TO VARIOUS ROOF TYPES

REFER TO SNAPNRACK ENGINEERING CHARTS FOR APPLICABLE RAIL SPANS. "BIN" NUMBER ON CHART SHOULD MATCH "BIN" NUMBER ON THIS DRAWING

(2X) #14 TEK S.S., OR EQUIVALENT SELF TAPPING FASTENER, WITH MINIMUM 3 THREADS PROJECTING THROUGH METAL FRAMING. REFER TO FASTENER MANUFACTURER FOR TORQUE SPECIFICATIONS

*IF MINIMUM 16GA STEEL OR 1/8" ALUMINUM FRAMING THICKNESS IS NOT MET, OR SPANS ARE INSUFFICIENT, CONTACT SNAPNRACK

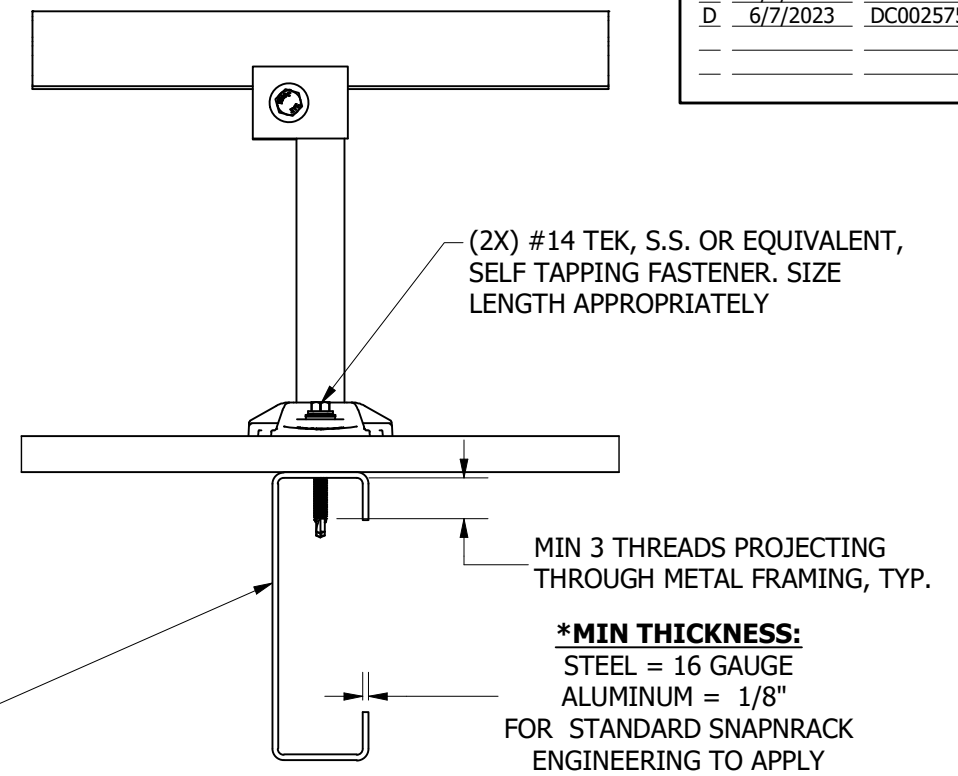
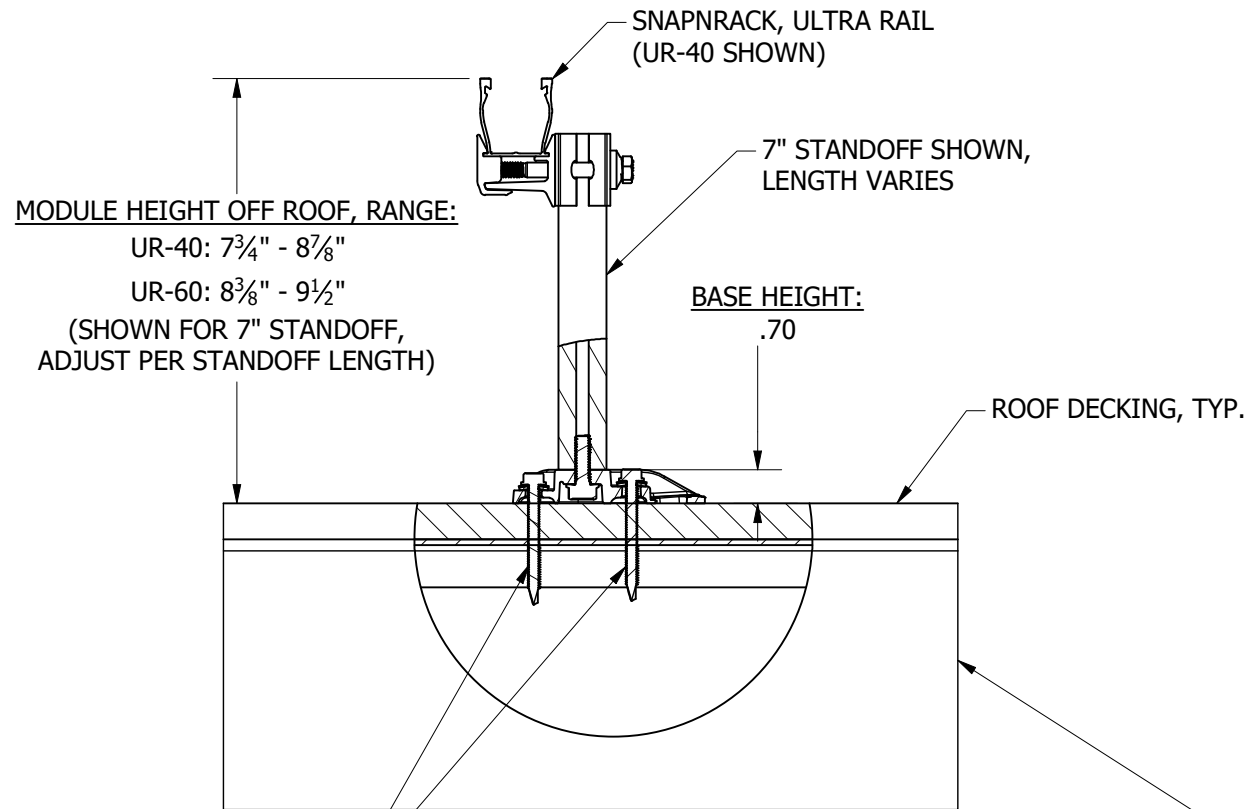
REFER TO SNAPNRACK INSTALLATION MANUAL FOR 5/16"Ø HARDWARE TORQUE SPECIFICATIONS

SNAPNRACK OMNIBASE CAN MOUNT IN ANY ORIENTATION ON THE ROOF AND RAILS CAN MOUNT ON ANY SIDE OF THE STANDOFF POST

FOR ADDITIONAL LEVELING DETAILS, REFER TO SNAPNRACK DETAIL DRAWINGS SNR-DC-00334 AND SNR-DC-00447

BIN:
5, 10

REVISION:			
1	6/22/2021	NEW DETAIL	MJA
A	8/2/2021	DC000595	MJA
B	10/25/2021	DC000727	MJA
C	4/7/2023	DC002278	MJA
D	6/7/2023	DC002575	MKW



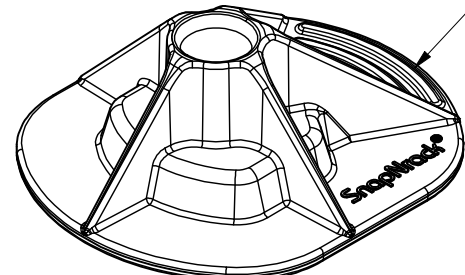
(2X) #14 TEK, S.S. OR EQUIVALENT, SELF TAPPING FASTENER. CHOOSE LENGTH FOR PROPER EMBEDMENT

STRUCTURAL MEMBER, METAL FRAMING, TYP.

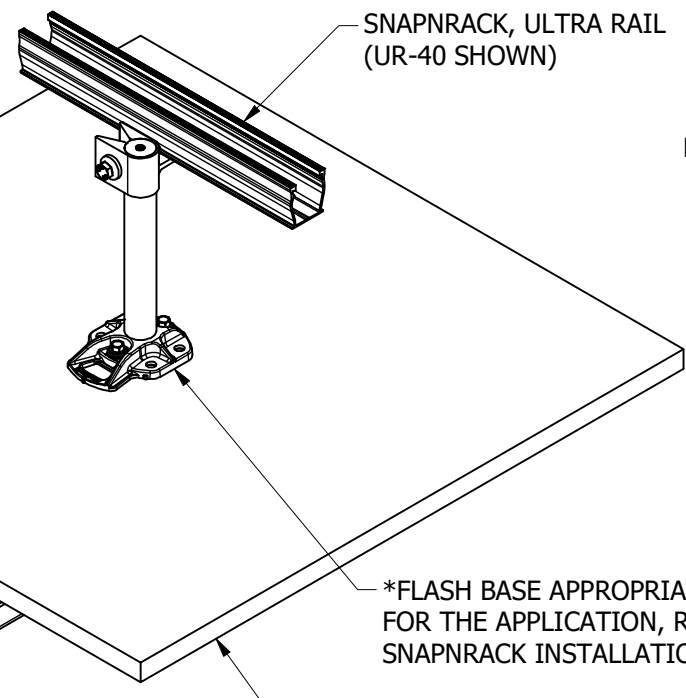
***MIN THICKNESS:**
STEEL = 16 GAUGE
ALUMINUM = 1/8"
FOR STANDARD SNAPNRACK ENGINEERING TO APPLY

ATTACHMENT DETAIL, SIDE

ATTACHMENT DETAIL, FRONT



*THE SNAPNRACK OMNISHIELD CAN BE USED TO CHEMICALLY FLASH LOW SLOPE ROOF APPLICATIONS.



STRUCTURAL MEMBER, METAL FRAMING, TYP.

ROOF DECKING, TYP.

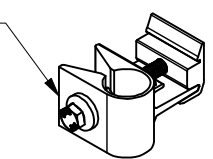
INSTALLED

SNAPNRACK, UR STANDOFF CLAMP ASSEMBLY. VARIES FOR FLUSH AND TILT APPLICATIONS

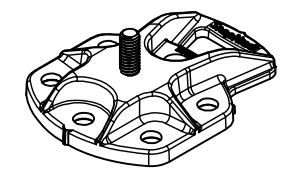
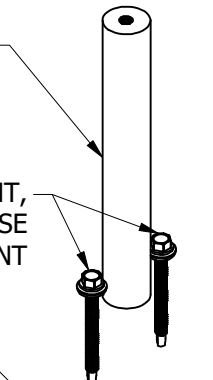
(2X) #14 TEK, S.S. OR EQUIVALENT, SELF TAPPING FASTENER. CHOOSE LENGTH FOR PROPER EMBEDMENT

*FLASH BASE APPROPRIATELY FOR THE APPLICATION, REFER TO SNAPNRACK INSTALLATION MANUAL

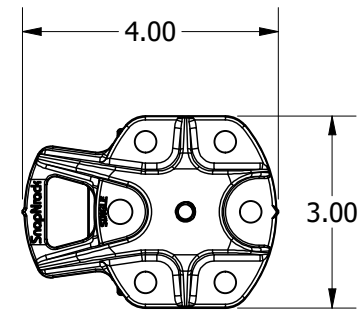
SNAPNRACK, OMNIBASE



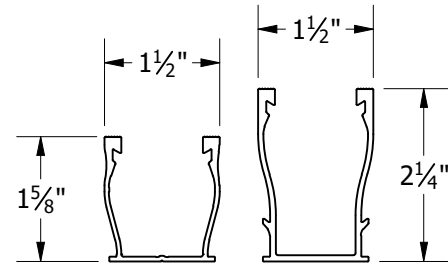
SNAPNRACK STANDOFF, LENGTH VARIES



OMNIBASE



OMNIBASE, TOP



UR-40 RAIL | UR-60 RAIL

FOR USE WITH SNAPNRACK ULTRA SERIES RAILS



Sunrun South LLC
595 MARKET STREET, 29TH FLOOR • SAN FRANCISCO, CA 94105 USA
PHONE (415) 580-6900 • FAX (415) 580-6902
THE INFORMATION IN THIS DRAWING IS CONFIDENTIAL AND PROPRIETARY. ANY REPRODUCTION, DISCLOSURE, OR USE THEREOF IS PROHIBITED WITHOUT THE WRITTEN CONSENT OF SUNRUN SOUTH LLC.

DESIGNER: M.AFFENTRANGER
DRAFTER: M.AFFENTRANGER
APPROVED BY: E.FERGUSON

SCALE: DNS
DATE: 6/7/2023

DRAWING NUMBER:
SNR-DC-01252

DESCRIPTION:
ULTRA RAIL, ATTACHMENT DETAIL, OMNIBASE WITH STANDOFF TO METAL FRAMING

REV:
D