

**SNAPNRACK ULTRA RAIL STANDOFF ON OMNIBASE FOR MOUNTING TO VARIOUS ROOF TYPES**

ENGINEERING INCLUDED IN PZSE REPORTS:  
 2022-15278 (FM) FOR FLUSH-MOUNT KIT  
 2022-15278 FOR TILT-MOUNT KIT (OMNISHIELD REQUIRED FOR TILT, REFER TO SNR-DC-01255)

(6X)#14 S.S. WOOD SCREWS MUST EMBED A MINIMUM OF 1/2" INTO THE WOOD DECK, EXCLUDING THE SCREW TIP

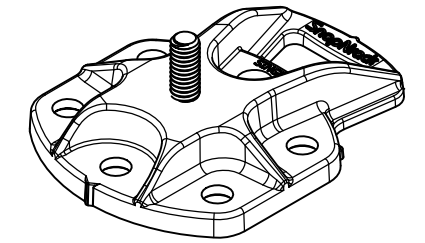
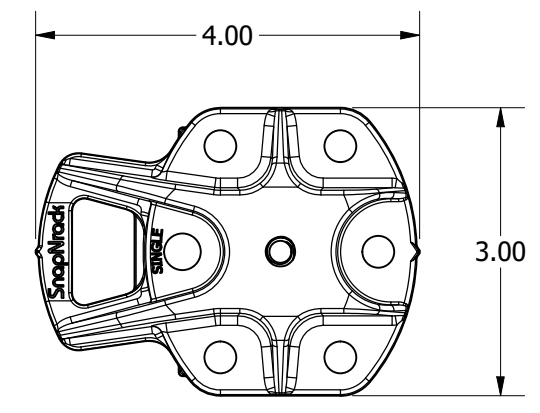
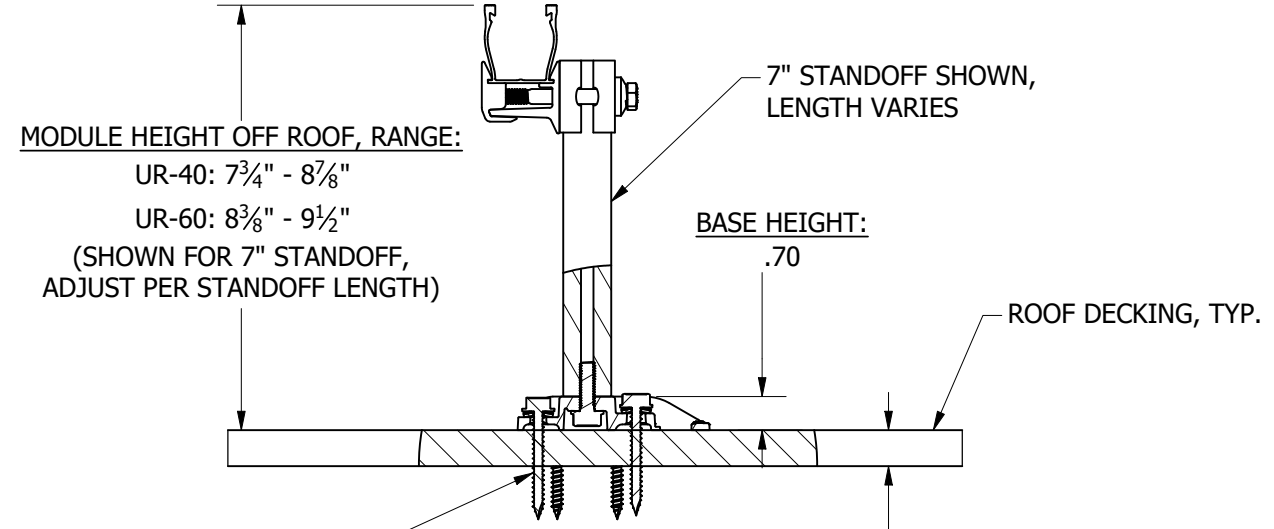
REFER TO SNAPNRACK INSTALLATION MANUAL FOR 5/16"Ø HARDWARE TORQUE SPECIFICATIONS

SNAPNRACK OMNIBASE CAN MOUNT IN ANY ORIENTATION ON THE ROOF AND RAILS CAN MOUNT ON ANY SIDE OF THE STANDOFF POST

FOR ADDITIONAL LEVELING DETAILS, REFER TO SNAPNRACK DETAIL DRAWINGS SNR-DC-00334 AND SNR-DC-00447

BIN: N/A

REVISION:			
1	6/22/2021	NEW DETAIL	MJA
A	8/2/2021	DC000595	MJA
B	10/25/2021	DC000727	MJA
C	4/7/2023	DC002278	MJA



OMNIBASE, TOP

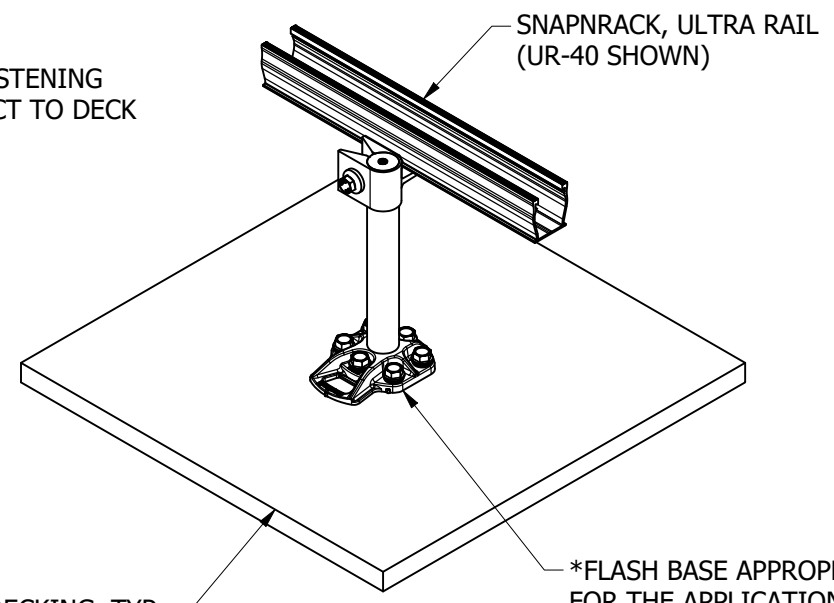
OMNIBASE

\*\* (6X) #14 WOOD SCREW, S.S. MUST EMBED A MINIMUM OF 1/2" INTO THE WOOD DECK, EXCLUDING THE SCREW TIP

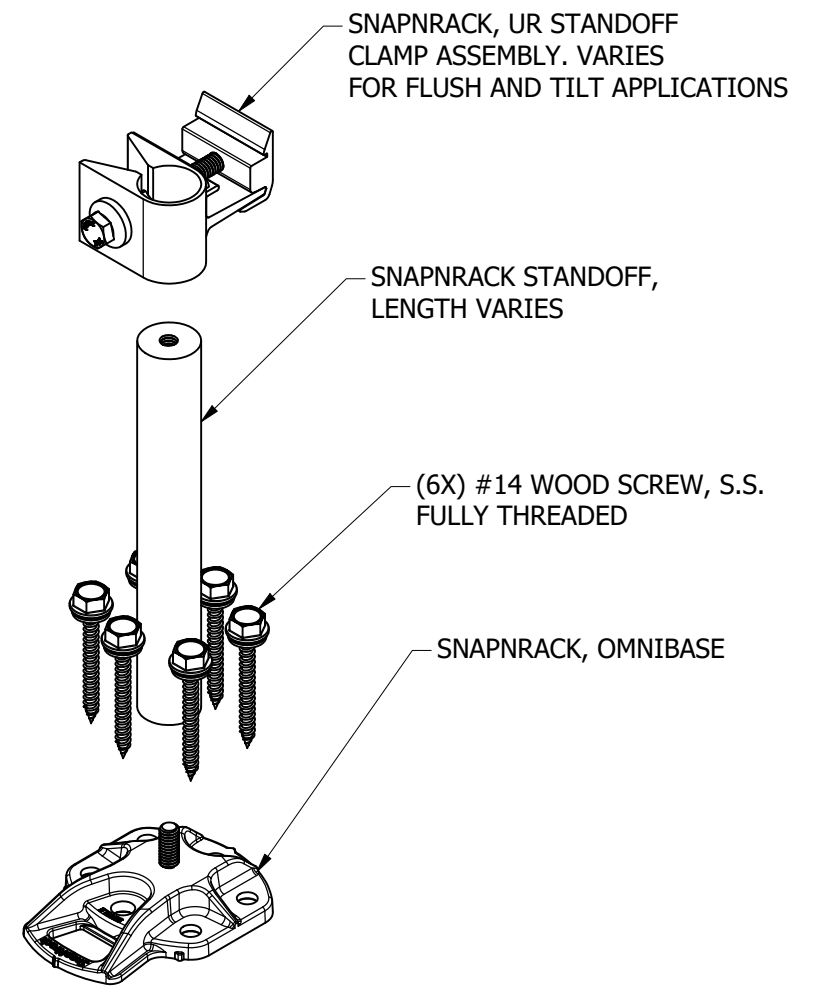
**MIN 1/2" NOMINAL DECK THICKNESS:**  
 OSB: 7/16" APA RATED 24/16  
 PLYWOOD: 15/32" APA RATED 32/16  
 UNLESS OTHERWISE SPECIFIED IN ENGINEERING



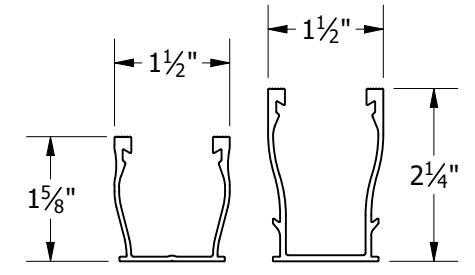
\*THE SNAPNRACK OMNISHIELD CAN BE USED TO CHEMICALLY FLASH LOW SLOPE ROOF APPLICATIONS.  
 \*\*IT IS REQUIRED WHEN FASTENING SNAPNRACK TILT KITS DIRECT TO DECK



INSTALLED



EXPLODED



UR-40 RAIL | UR-60 RAIL

FOR USE WITH SNAPNRACK ULTRA SERIES RAILS

	Sunrun South LLC 595 MARKET STREET, 29TH FLOOR • SAN FRANCISCO, CA 94105 USA PHONE (415) 580-6900 • FAX (415) 580-6902 <small>THE INFORMATION IN THIS DRAWING IS CONFIDENTIAL AND PROPRIETARY. ANY REPRODUCTION, DISCLOSURE, OR USE THEREOF IS PROHIBITED WITHOUT THE WRITTEN CONSENT OF SUNRUN SOUTH LLC.</small>	DESIGNER: <u>M.AFFENTRANGER</u> DRAFTER: <u>M.AFFENTRANGER</u> APPROVED BY: <u>E.FERGUSON</u>	SCALE: <u>DNS</u> DATE: <u>4/7/2023</u>	DRAWING NUMBER: <u>SNR-DC-01254</u>	DESCRIPTION: ULTRA RAIL, ATTACHMENT DETAIL, OMNIBASE WITH STANDOFF TO WOOD DECK	REV: <b>C</b>
		THE INFORMATION IN THIS DRAWING IS CONFIDENTIAL AND PROPRIETARY. ANY REPRODUCTION, DISCLOSURE, OR USE THEREOF IS PROHIBITED WITHOUT THE WRITTEN CONSENT OF SUNRUN SOUTH LLC.				