

DESCRIPTION:

SNAPNRACK, OMNIBASE

DRAWN BY:

M.Affentranger

SnapNrack®

PART NUMBER(S):

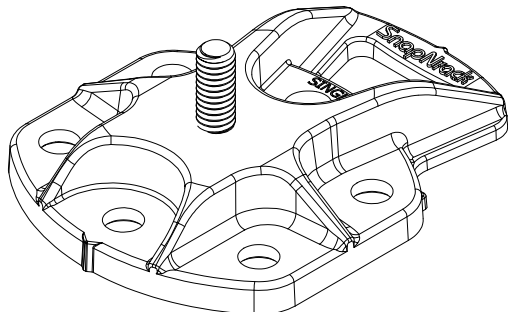
232-02544

REVISION:

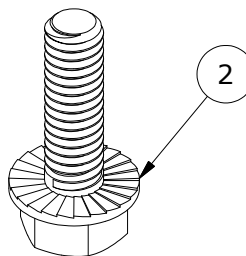
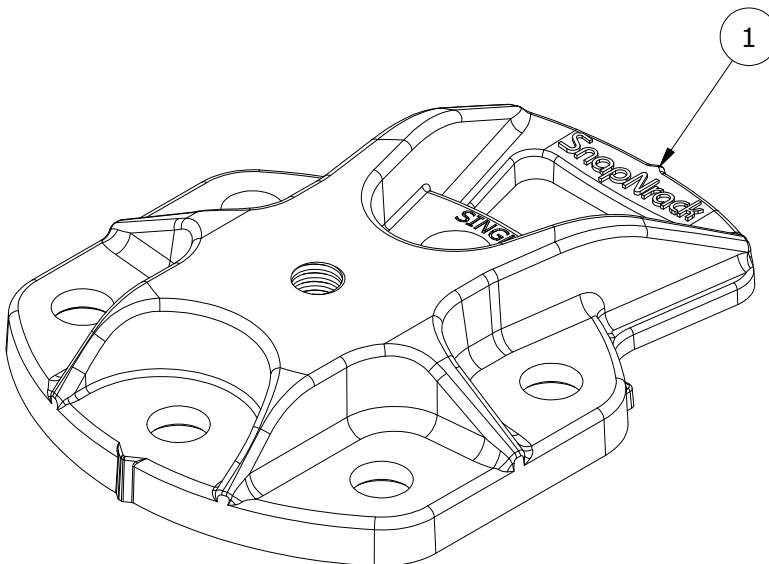
A

595 MARKET STREET, 29TH FLOOR • SAN FRANCISCO, CA 94105 USA  
PHONE (415) 580-6900 • FAX (415) 580-6902

THE INFORMATION IN THIS DRAWING IS CONFIDENTIAL AND PROPRIETARY. ANY REPRODUCTION, DISCLOSURE, OR USE THEREOF IS PROHIBITED WITHOUT THE WRITTEN CONSENT OF SUNRUN SOUTH LLC.



SNAPNRACK, OMNIBASE



EXPLODED

PARTS LIST

ITEM	QTY	DESCRIPTION
1	1	SNAPNRACK, OMNIBASE, CASTING
2	1	BOLT, FLANGE, SERRATED, 5/16IN-18 X 1IN, SS

MATERIALS:

DIE CAST A380 ALUMINUM, 300 SERIES STAINLESS STEEL

DESIGN LOAD (LBS):

FLUSH MOUNT: 655 UP, 1333 DOWN, 304 SIDE, 266 LATERAL

ULTIMATE LOAD (LBS):

1473 UP, 4000 DOWN, 762 SIDE, 665 LATERAL

TORQUE SPECIFICATION:

N/A LB-FT

CERTIFICATION:

UL 2703, FILE E359313;

WEIGHT (LBS):

.289

DESCRIPTION:

SNAPNRACK, OMNIBASE

DRAWN BY:

M.Affentranger

SnapNrack®

PART NUMBER(S):

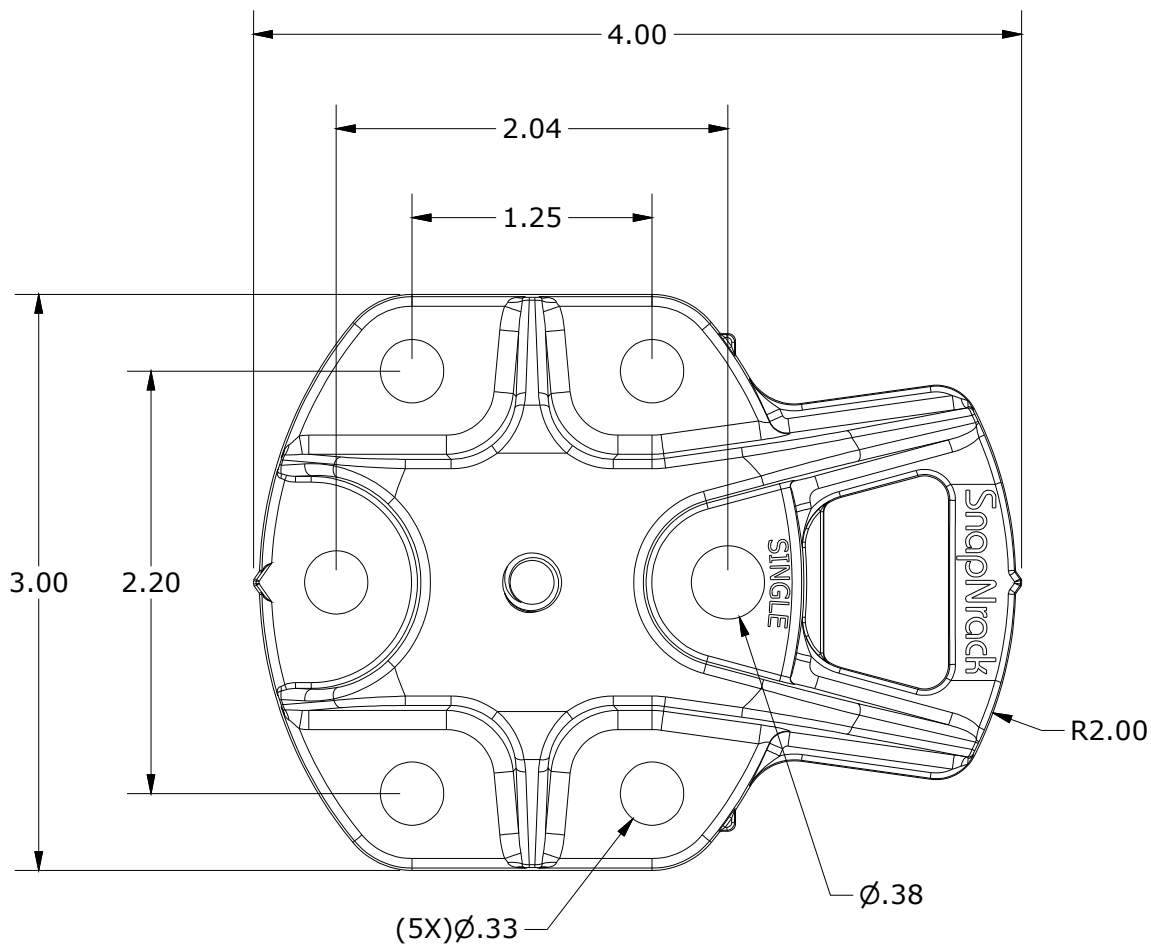
232-02544

REVISION:

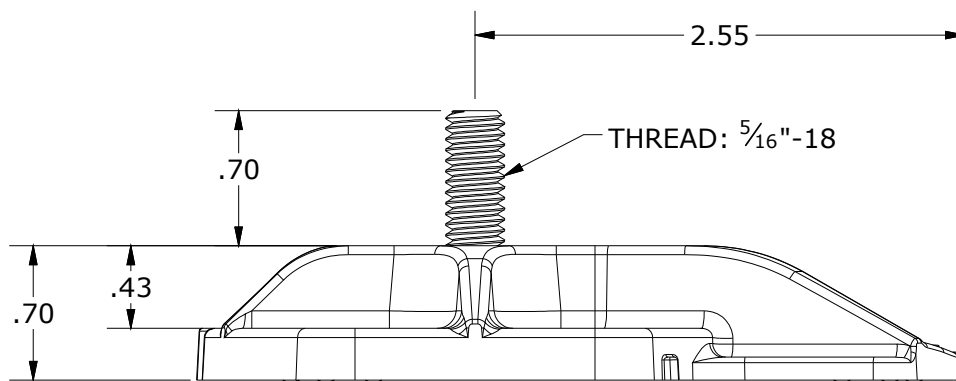
A

595 MARKET STREET, 29TH FLOOR • SAN FRANCISCO, CA 94105 USA  
PHONE (415) 580-6900 • FAX (415) 580-6902

THE INFORMATION IN THIS DRAWING IS CONFIDENTIAL AND PROPRIETARY. ANY REPRODUCTION, DISCLOSURE, OR USE THEREOF IS PROHIBITED WITHOUT THE WRITTEN CONSENT OF SUNRUN SOUTH LLC.



TOP



SIDE

ALL DIMENSIONS IN INCHES