

DESCRIPTION:  
**SNAPRACK, GROUND RAIL SPLICE ASSEMBLY**

DOC NUMBER:  
 SNR-DC-01333

**SnapNrack®**

PART NUMBER(S):

242-04009

DRAWN BY:  
 WULFEKOETTER

REV: **A**      DATE: 1/19/2023

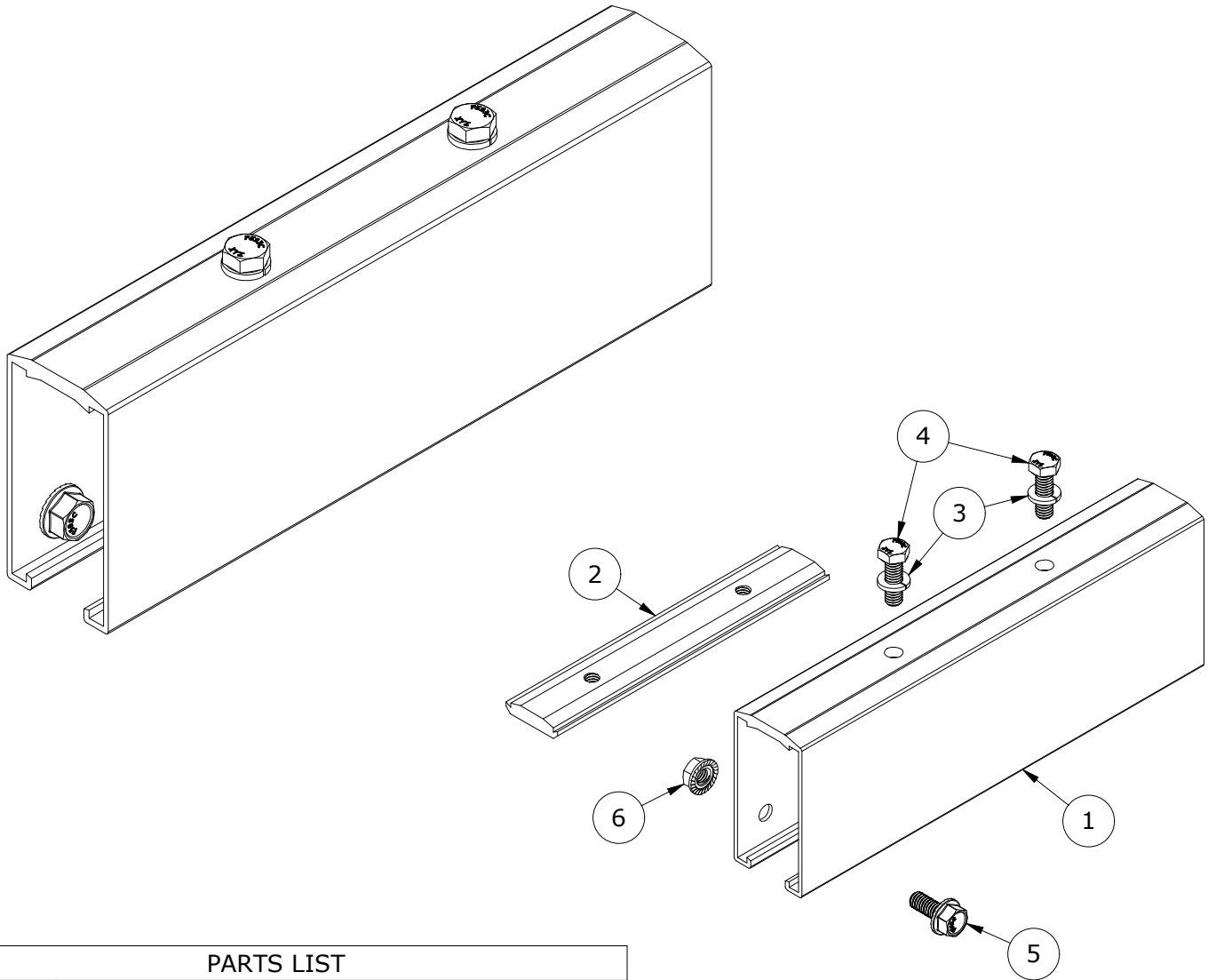
SUNRUN INSTALLATION SERVICES INC.

225 BUSH STREET, SUITE 1400 • SAN FRANCISCO, CA 94104 USA  
 PHONE (877) 732-2860 • CONTACT@SNAPNRACK.COM

THE INFORMATION IN THIS DRAWING IS CONFIDENTIAL AND PROPRIETARY. ANY REPRODUCTION, DISCLOSURE, OR USE THEREOF IS PROHIBITED WITHOUT THE WRITTEN CONSENT OF SUNRUN SOUTH LLC.

UNITS: IN, LB, DEG [MM, KG, DEG]

SHEET: 1:2



**PARTS LIST**

ITEM	QTY	DESCRIPTION
1	1	SNAPRACK, GROUND RAIL SPLICE, CLEAR
2	1	SNAPRACK SPLICE INSERT, ORIGINAL
3	2	5/16IN SS SPLIT LOCK WASHER
4	2	5/16IN-18 X 1IN SS HCS BOLT
5	1	BOLT, FLANGE, 5/16IN-18 X 3/4IN, CLEAR, SS
6	1	NUT, FLANGE, SERRATED, 5/16IN-18, SS

MATERIALS: 6000 SERIES ALUMINUM, STAINLESS STEEL

DESIGN LOAD (LBS): N/A

ULTIMATE LOAD (LBS): N/A

TORQUE SPECIFICATION: 10+ FT-LBS

CERTIFICATION: UL 2703, FILE E359313

WEIGHT (LBS): 1.2

DESCRIPTION:  
SNAPNRACK, GROUND RAIL SPLICE ASSEMBLY

DOC NUMBER:  
SNR-DC-01333

SnapNrack®

PART NUMBER(S):

242-04009

DRAWN BY:  
WULFEKOETTER

REV:

A

DATE:

1/19/2023

SUNRUN INSTALLATION SERVICES INC.

225 BUSH STREET, SUITE 1400 • SAN FRANCISCO, CA 94104 USA  
PHONE (877) 732-2860 • CONTACT@SNAPNRACK.COM

THE INFORMATION IN THIS DRAWING IS CONFIDENTIAL AND PROPRIETARY. ANY  
REPRODUCTION, DISCLOSURE, OR USE THEREOF IS PROHIBITED WITHOUT THE  
WRITTEN CONSENT OF SUNRUN SOUTH LLC.

UNITS: IN, LB, DEG [MM, KG, DEG]

SHEET: 2:2

