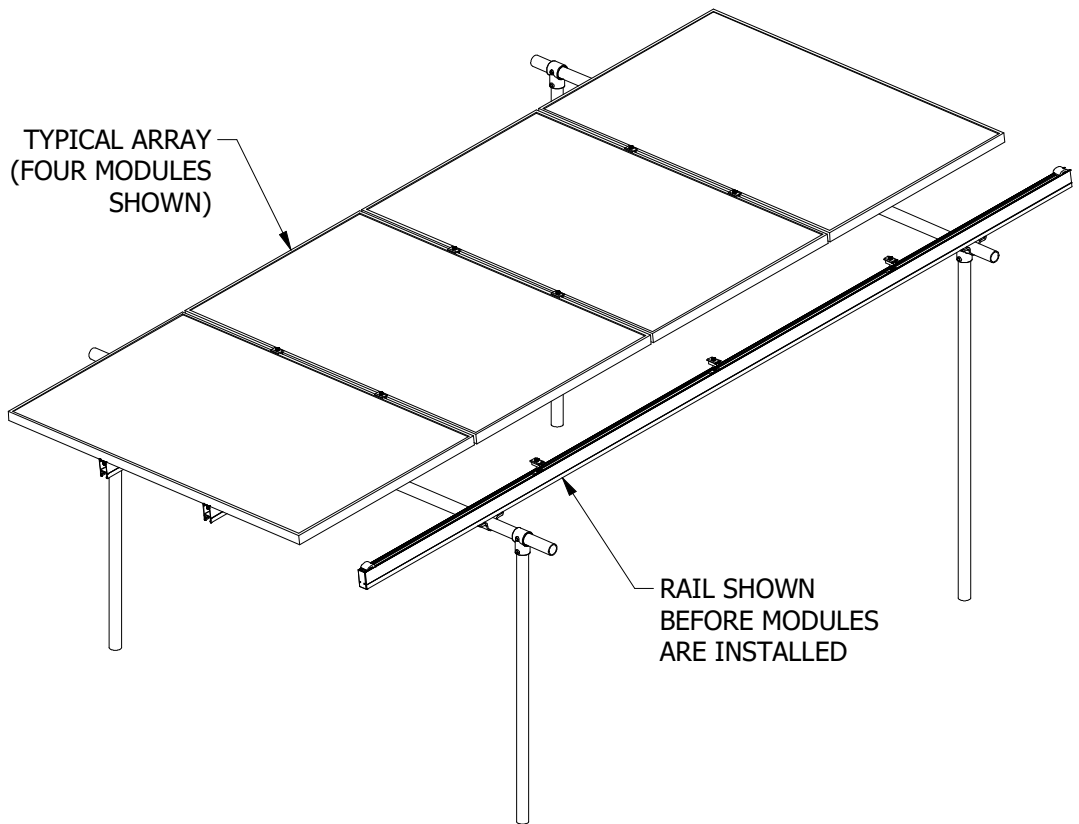
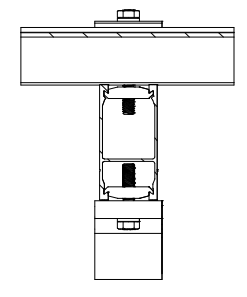


REVISION:			
G	12/1/2013	NSSE UPDATE	DR
H	2/26/2018	PZSE UPDATE	DR
I	8/6/2020	PIPE TEE	MJA
J	8/31/2021	PZSE UPDATE	MKW

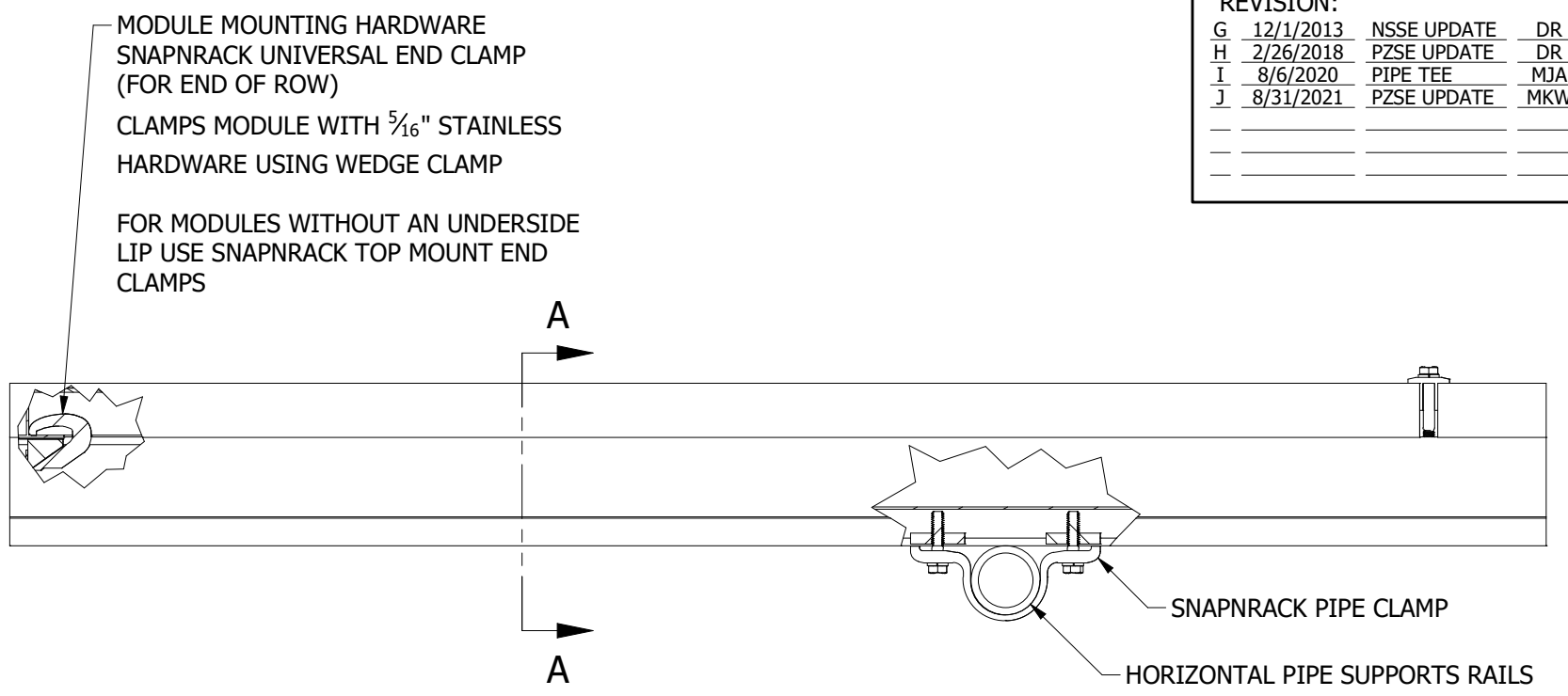


ISO VIEW OF RACKING ASSEMBLY

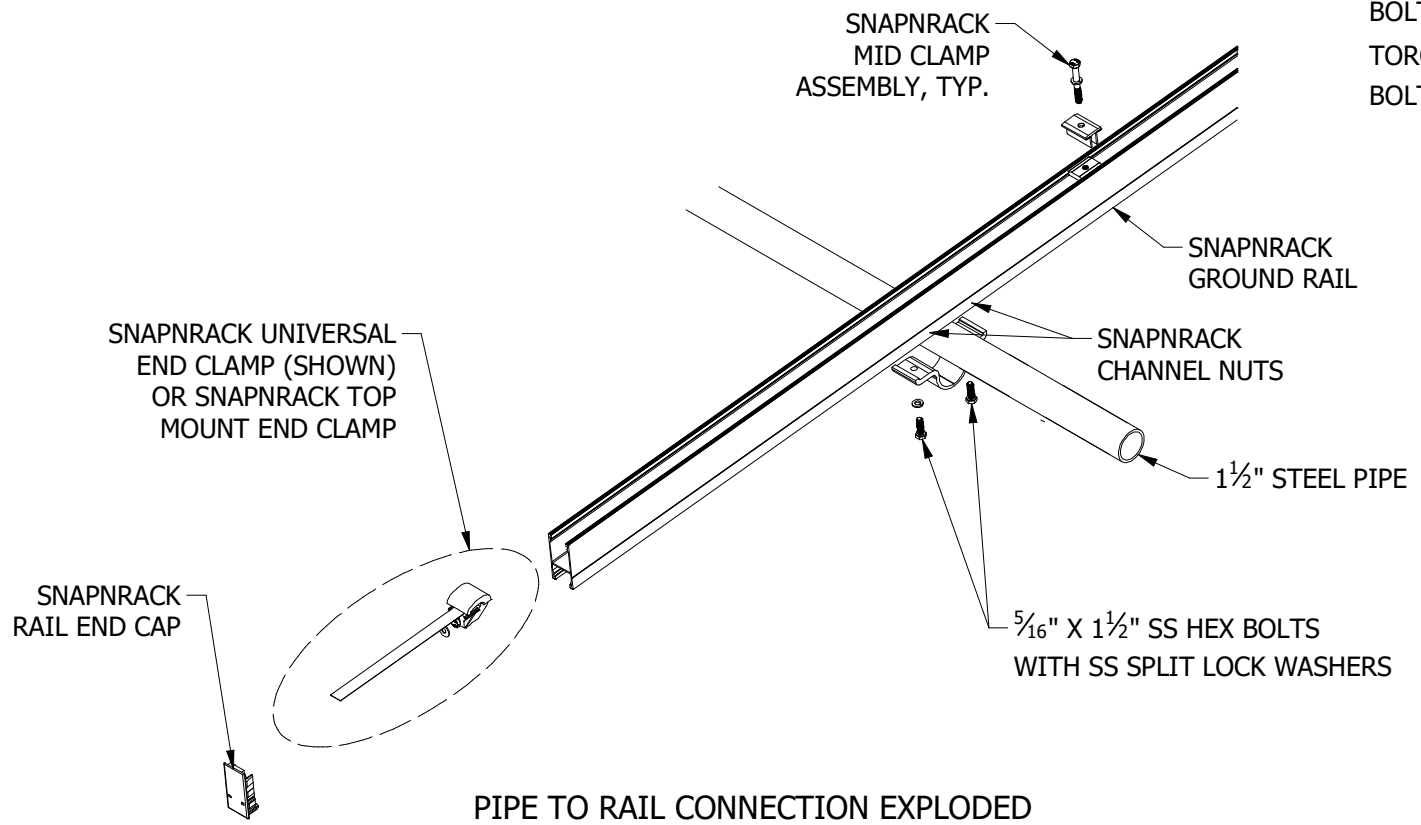
NOTE:
 TORQUE $\frac{5}{16}$ " SS SILVER HEX BOLTS TO 10-16 FT-LBS
 TORQUE $\frac{5}{16}$ " SS BLACK HEX BOLTS TO 7-9 FT-LBS



SECTION A-A

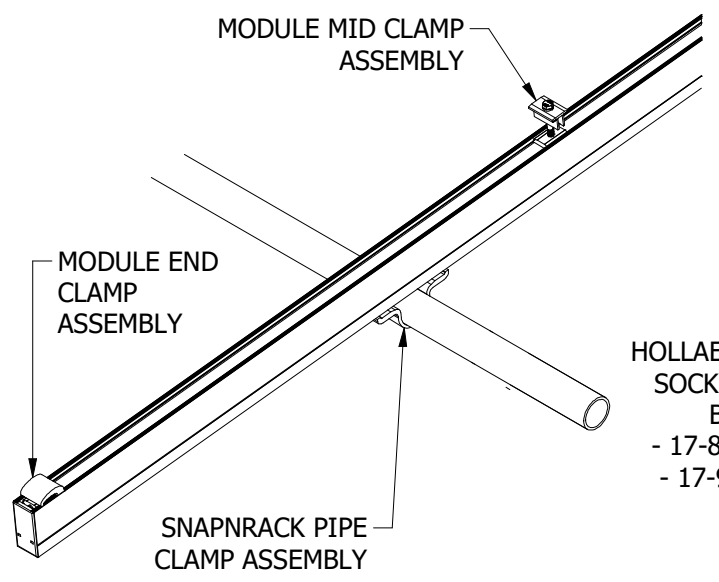


MODULE AND RAIL ATTACHMENT DETAILS

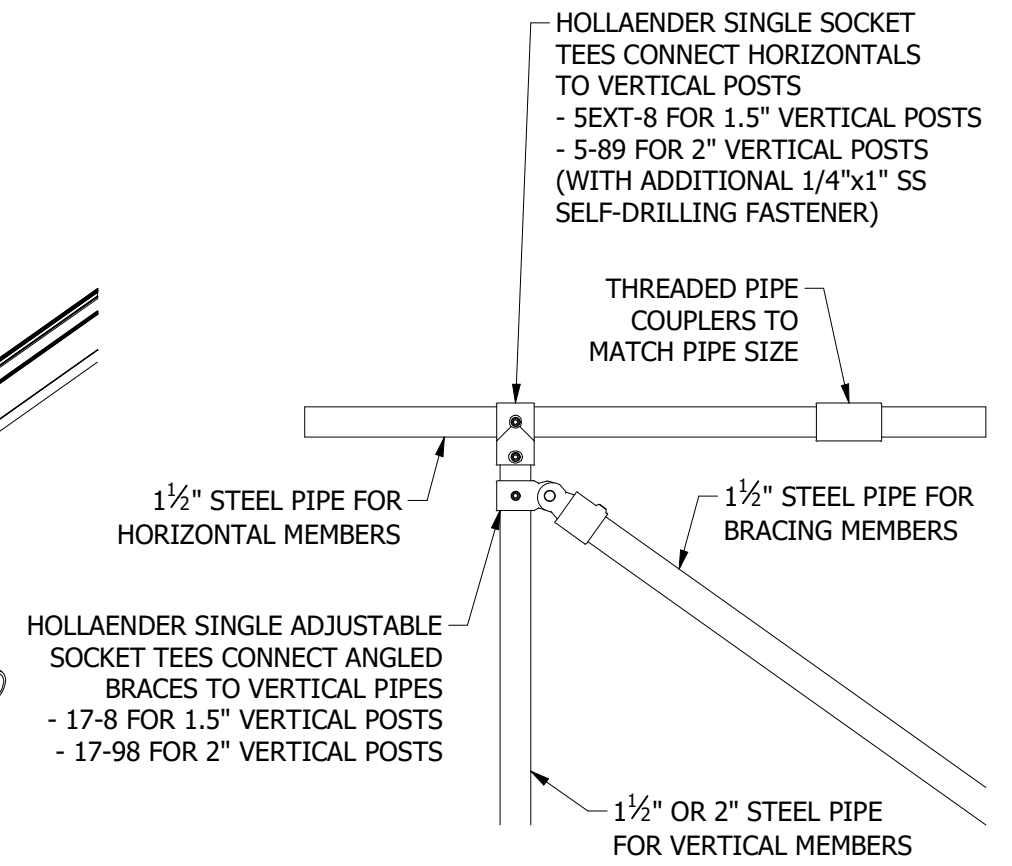


PIPE TO RAIL CONNECTION EXPLODED

NOTE:
 TORQUE $\frac{5}{16}$ " SS SILVER HEX BOLTS TO 10-16 FT-LBS
 TORQUE $\frac{5}{16}$ " SS BLACK HEX BOLTS TO 7-9 FT-LBS



PIPE TO RAIL CONNECTION



PIPE FITTING DETAILS



Sunrun South LLC
 595 MARKET STREET, 29TH FLOOR • SAN FRANCISCO, CA 94105 USA
 PHONE (415) 580-6900 • FAX (415) 580-6902

THE INFORMATION IN THIS DRAWING IS CONFIDENTIAL AND PROPRIETARY. ANY REPRODUCTION, DISCLOSURE, OR USE THEREOF IS PROHIBITED WITHOUT THE WRITTEN CONSENT OF SUNRUN SOUTH LLC.

DESIGNER: B.ARBUCKLE
 DRAFTER: M.WATKINS
 APPROVED BY: B.ARBUCKLE

SCALE: DNS
 DATE: 8/31/2021

DRAWING NUMBER:
 SNR-DC-00202

DESCRIPTION:
 SERIES 200 SYSTEM DETAILS

REV
J