

DESCRIPTION:
SNAPRACK, MIGHTYMOUNT COMP-S

PART NUMBER(S):
242-10026

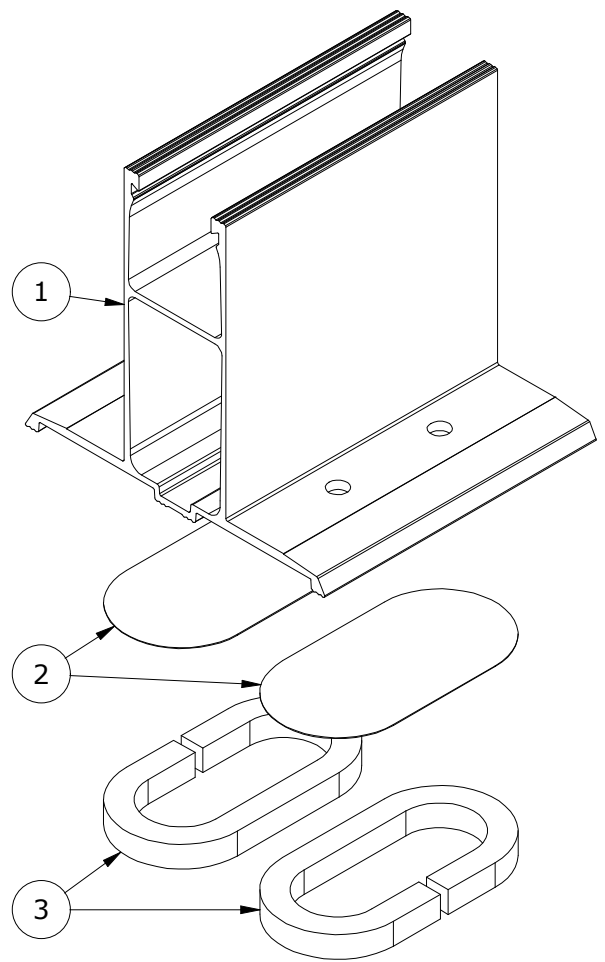
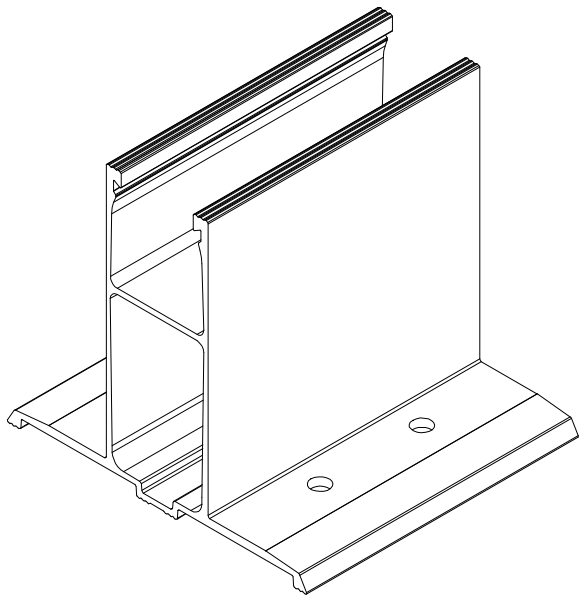
DRAWN BY:
 MWatkins

REVISION:
A

SnapNrack®

595 MARKET STREET, 29TH FLOOR • SAN FRANCISCO, CA 94105 USA
 PHONE (415) 580-6900 • FAX (415) 580-6902

THE INFORMATION IN THIS DRAWING IS CONFIDENTIAL AND PROPRIETARY. ANY REPRODUCTION, DISCLOSURE, OR USE THEREOF IS PROHIBITED WITHOUT THE WRITTEN CONSENT OF SUNRUN SOUTH LLC.



PARTS LIST		
ITEM	QTY	DESCRIPTION
1	1	SNAPRACK, TRACK, 4IN TALL X 4IN OAL, ALUMINUM
2	2	SNAPRACK, HOLE COVER, 1.63IN X 3.13IN OD, 0.01IN PET
3	2	SNAPRACK, GASKET, 1.63IN X 3.13IN OD, 8MM FOAM

MATERIALS:	6000 SERIES ALUMINUM, PET PLASTIC, FOAM
DESIGN LOAD (LBS):	448 UP, 335 DOWN, 162 SIDE
ULTIMATE LOAD (LBS):	N/A
TORQUE SPECIFICATION:	N/A LB-FT
CERTIFICATION:	UL 2703, FILE E359313; WIND-DRIVEN RAIN TEST FROM SUBJECT UL 2582
WEIGHT (LBS):	0.54

DESCRIPTION:

SNAPRACK, MIGHTYMOUNT COMP-S

DRAWN BY:

MWatkins

REVISION:

A

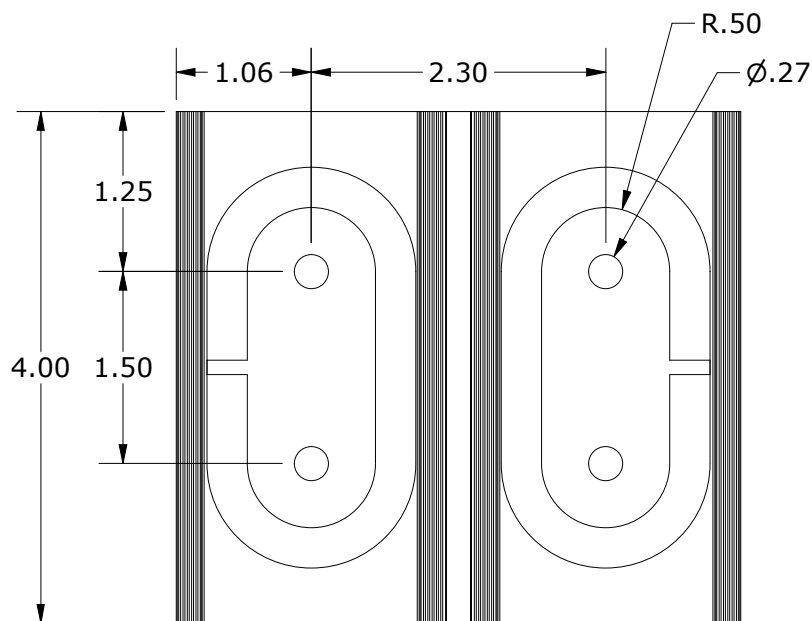
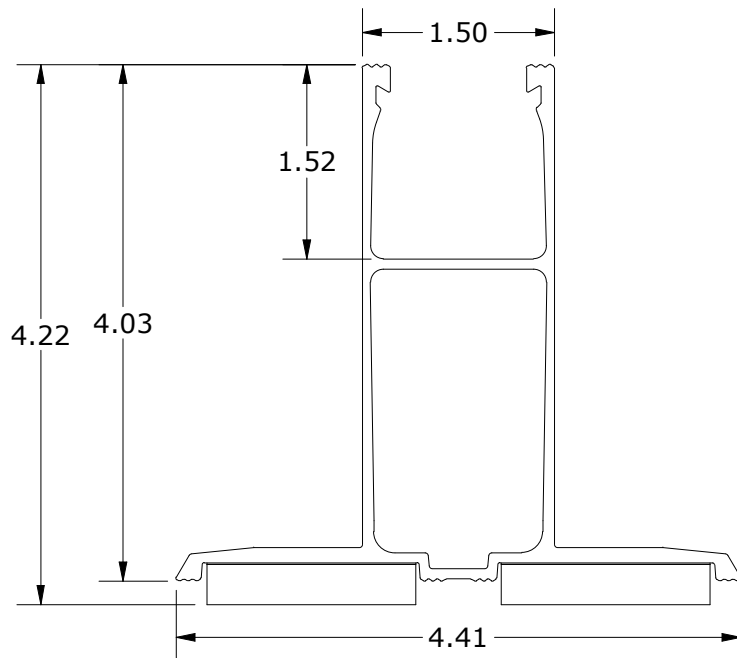
SnapNrack®

PART NUMBER(S):

242-10026

595 MARKET STREET, 29TH FLOOR • SAN FRANCISCO, CA 94105 USA
PHONE (415) 580-6900 • FAX (415) 580-6902

THE INFORMATION IN THIS DRAWING IS CONFIDENTIAL AND PROPRIETARY. ANY REPRODUCTION, DISCLOSURE, OR USE THEREOF IS PROHIBITED WITHOUT THE WRITTEN CONSENT OF SUNRUN SOUTH LLC.



ALL DIMENSIONS IN INCHES