
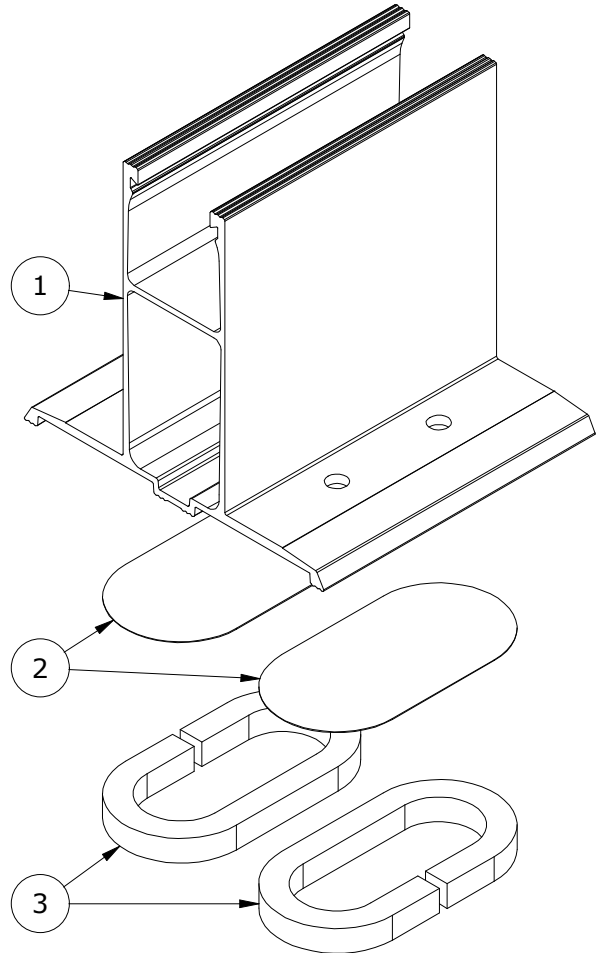
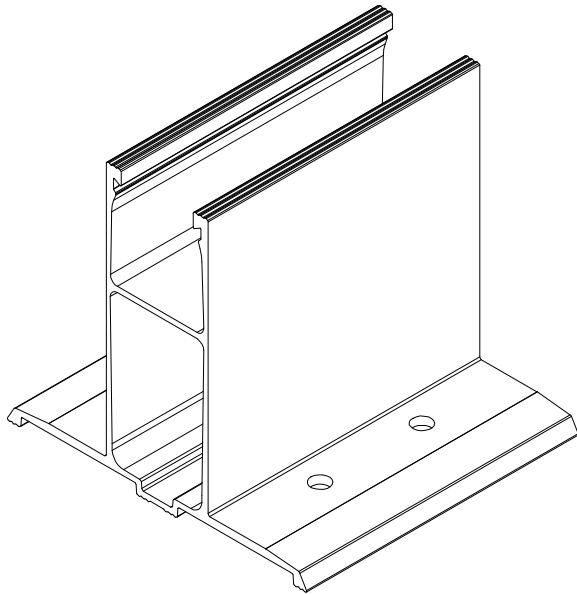


DESCRIPTION: SNAPRACK, MIGHTYMOUNT COMP-S		DOC NUMBER: SNR-DC-20005	
PART NUMBER(S): 242-10026		DRAWN BY: MWatkins	
UNITS: IN, LB, DEG [MM, KG, DEG]	SHEET: 1:2	REV: B DATE: 1/24/2023	
<p>SUNRUN INSTALLATION SERVICES INC. 225 BUSH STREET, SUITE 1400 • SAN FRANCISCO, CA 94104 USA PHONE (877) 732-2860 • CONTACT@SNAPNRACK.COM <small>THE INFORMATION IN THIS DRAWING IS CONFIDENTIAL AND PROPRIETARY. ANY REPRODUCTION, DISCLOSURE, OR USE THEREOF IS PROHIBITED WITHOUT THE WRITTEN CONSENT OF SUNRUN SOUTH LLC.</small></p>			



PARTS LIST		
ITEM	QTY	DESCRIPTION
1	1	SNAPNRACK, TRACK, 4IN TALL X 4IN OAL, ALUMINUM
2	2	SNAPNRACK, HOLE COVER, 1.63IN X 3.13IN OD, 0.01IN PET
3	2	SNAPNRACK, GASKET, 1.63IN X 3.13IN OD, 8MM FOAM

MATERIALS:	6000 SERIES ALUMINUM, PET PLASTIC, FOAM
DESIGN LOAD (LBS):	448 UP, 335 DOWN, 162 SIDE
ULTIMATE LOAD (LBS):	N/A
TORQUE SPECIFICATION:	N/A FT-LBS
CERTIFICATION:	UL 2703, FILE E359313; WIND-DRIVEN RAIN TEST FROM SUBJECT UL 2582
WEIGHT (LBS):	0.54

DESCRIPTION:
SNAPRACK, MIGHTYMOUNT COMP-S

PART NUMBER(S):
242-10026

UNITS: IN, LB, DEG [MM, KG, DEG] SHEET: 2:2

DOC NUMBER:
SNR-DC-20005

DRAWN BY:
MWatkins

REV: **B** DATE: **1/24/2023**

SnapNrack®

SUNRUN INSTALLATION SERVICES INC.
 225 BUSH STREET, SUITE 1400 • SAN FRANCISCO, CA 94104 USA
 PHONE (877) 732-2860 • CONTACT@SNAPNRACK.COM

THE INFORMATION IN THIS DRAWING IS CONFIDENTIAL AND PROPRIETARY. ANY REPRODUCTION, DISCLOSURE, OR USE THEREOF IS PROHIBITED WITHOUT THE WRITTEN CONSENT OF SUNRUN SOUTH LLC.

