

DESCRIPTION:
SNAPRACK, MIGHTYMOUNT METAL-T LEG ASSEMBLY, SHORT

DOC NUMBER:
 SNR-DC-20004

SnapNrack®

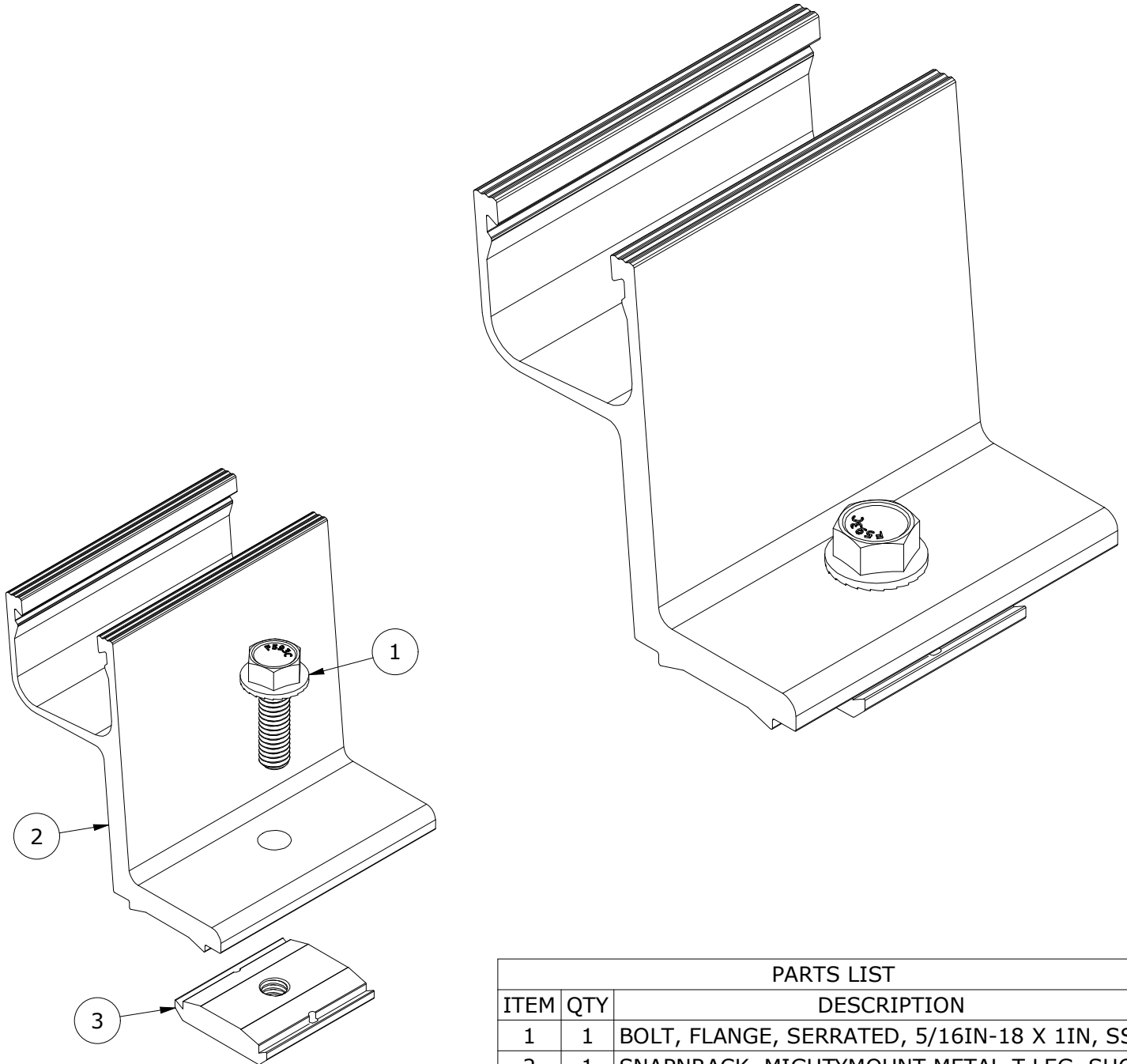
PART NUMBER(S):
 242-10008

DRAWN BY:
 mwatkins

REV: **C** DATE:
 1/24/2023

SUNRUN INSTALLATION SERVICES INC.
 225 BUSH STREET, SUITE 1400 • SAN FRANCISCO, CA 94104 USA
 PHONE (877) 732-2860 • CONTACT@SNAPNRACK.COM
THE INFORMATION IN THIS DRAWING IS CONFIDENTIAL AND PROPRIETARY. ANY REPRODUCTION, DISCLOSURE, OR USE THEREOF IS PROHIBITED WITHOUT THE WRITTEN CONSENT OF SUNRUN SOUTH LLC.

UNITS: IN, LB, DEG [MM, KG, DEG] SHEET: 1:2



PARTS LIST		
ITEM	QTY	DESCRIPTION
1	1	BOLT, FLANGE, SERRATED, 5/16IN-18 X 1IN, SS
2	1	SNAPRACK, MIGHTYMOUNT METAL-T LEG, SHORT
3	1	SNAPRACK, BONDING CHANNEL NUT

MATERIALS:	6000 SERIES ALUMINUM, STAINLESS STEEL
DESIGN LOAD (LBS):	N/A
ULTIMATE LOAD (LBS):	N/A
TORQUE SPECIFICATION:	12 FT-LBS
CERTIFICATION:	UL 2703, FILE E359313
WEIGHT (LBS):	0.44

DESCRIPTION:
**SNAPNRACK, MIGHTYMOUNT METAL-T LEG
 ASSEMBLY, SHORT**

DOC NUMBER:
 SNR-DC-20004

SnapNrack®

PART NUMBER(S):
 242-10008

DRAWN BY:
 mwatkins

SUNRUN INSTALLATION SERVICES INC.

REV: **C** DATE:
 1/24/2023

225 BUSH STREET, SUITE 1400 • SAN FRANCISCO, CA 94104 USA
 PHONE (877) 732-2860 • CONTACT@SNAPNRACK.COM

THE INFORMATION IN THIS DRAWING IS CONFIDENTIAL AND PROPRIETARY. ANY
 REPRODUCTION, DISCLOSURE, OR USE THEREOF IS PROHIBITED WITHOUT THE
 WRITTEN CONSENT OF SUNRUN SOUTH LLC.

UNITS: IN, LB, DEG [MM, KG, DEG] SHEET: 2:2

