

DESCRIPTION:
SNAPNRACK, TDS, MIGHTYMOUNT METAL-T LEG ASSEMBLY, TALL

DRAWN BY:

mwatkins

SnapNrack®

PART NUMBER(S):

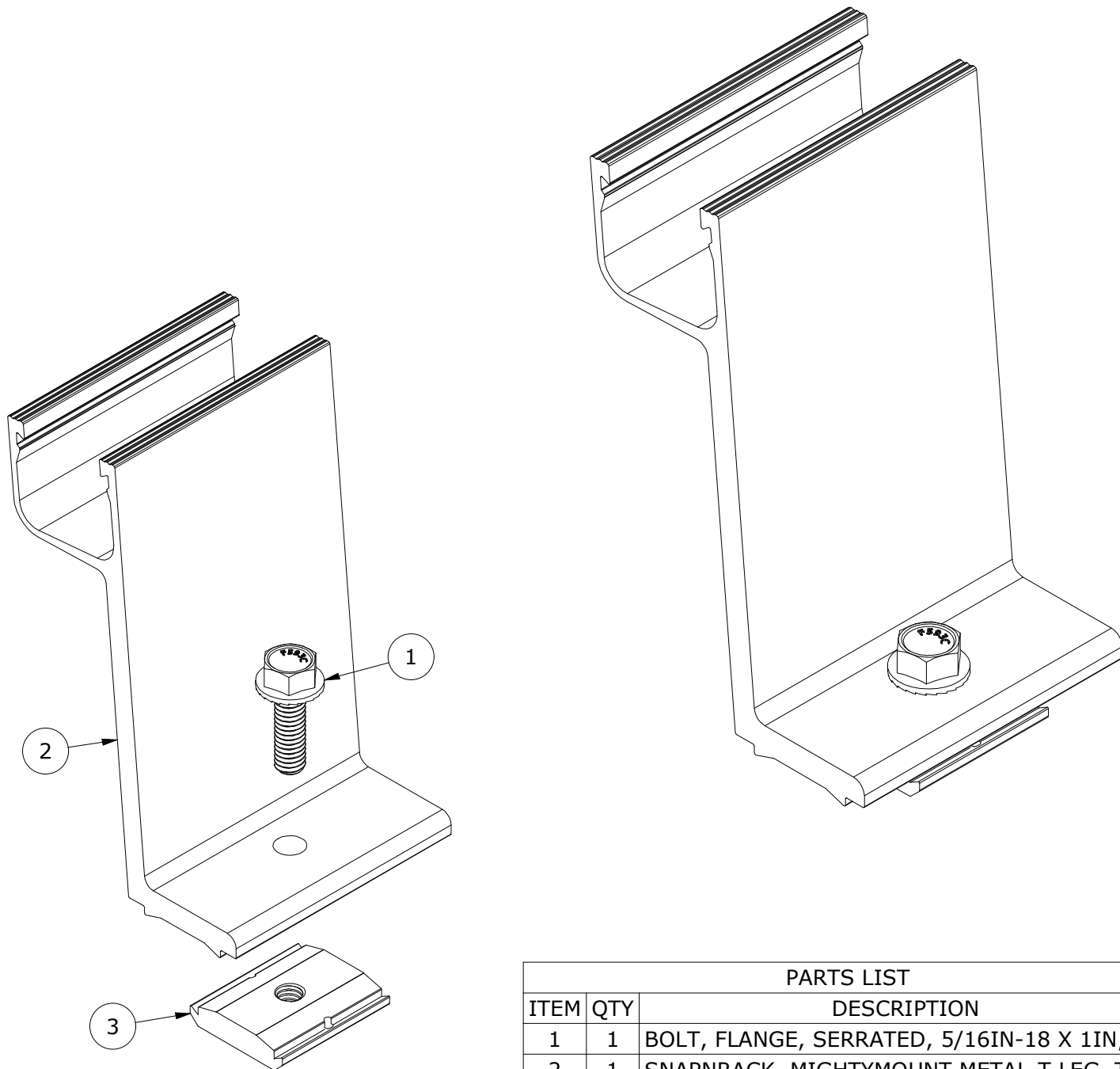
242-10009

REVISION:

B

595 MARKET STREET, 29TH FLOOR • SAN FRANCISCO, CA 94105 USA
 PHONE (415) 580-6900 • FAX (415) 580-6902

THE INFORMATION IN THIS DRAWING IS CONFIDENTIAL AND PROPRIETARY. ANY REPRODUCTION, DISCLOSURE, OR USE THEREOF IS PROHIBITED WITHOUT THE WRITTEN CONSENT OF SUNRUN SOUTH LLC.



PARTS LIST

ITEM	QTY	DESCRIPTION
1	1	BOLT, FLANGE, SERRATED, 5/16IN-18 X 1IN, SS
2	1	SNAPNRACK, MIGHTYMOUNT METAL-T LEG, TALL
3	1	SNAPNRACK, BONDING CHANNEL NUT

MATERIALS: 6000 SERIES ALUMINUM, STAINLESS STEEL

DESIGN LOAD (LBS): N/A

ULTIMATE LOAD (LBS): N/A

TORQUE SPECIFICATION: 12 LB-FT

CERTIFICATION: UL 2703, FILE E359313

WEIGHT (LBS): 0.60

DESCRIPTION:
SNAPRACK, TDS, MIGHTYMOUNT METAL-T LEG
ASSEMBLY, TALL

DRAWN BY:

mwatkins

REVISION:

B

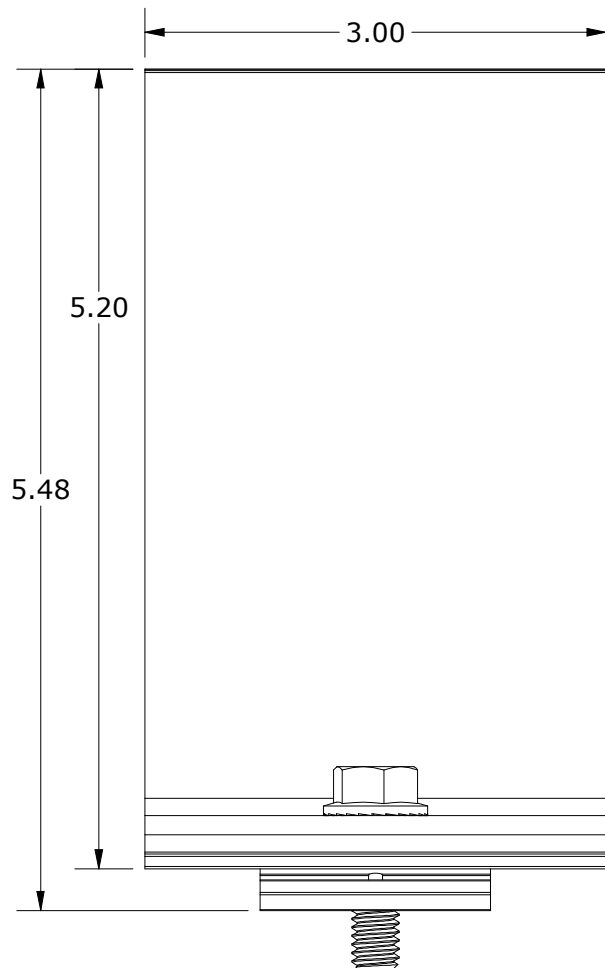
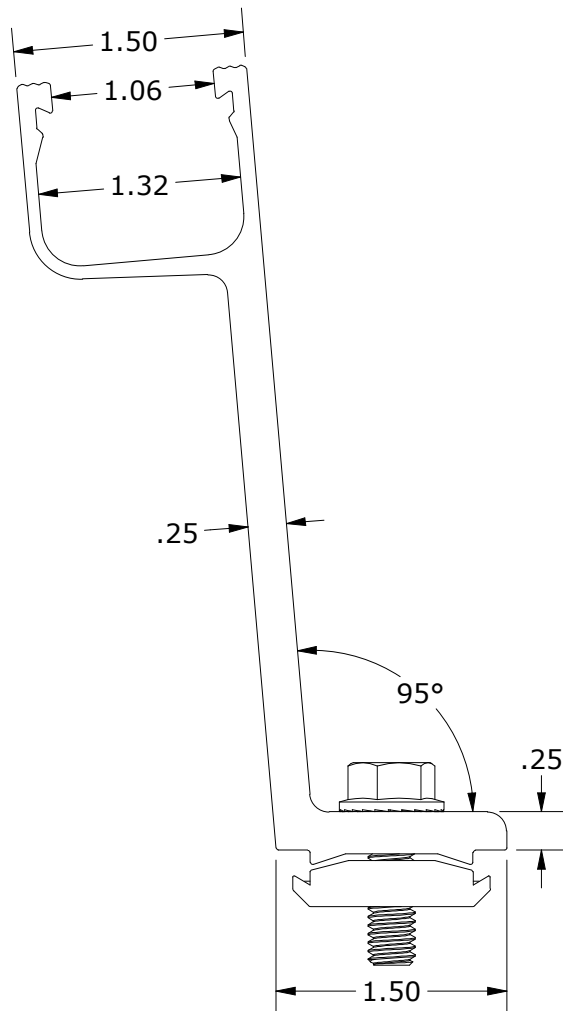
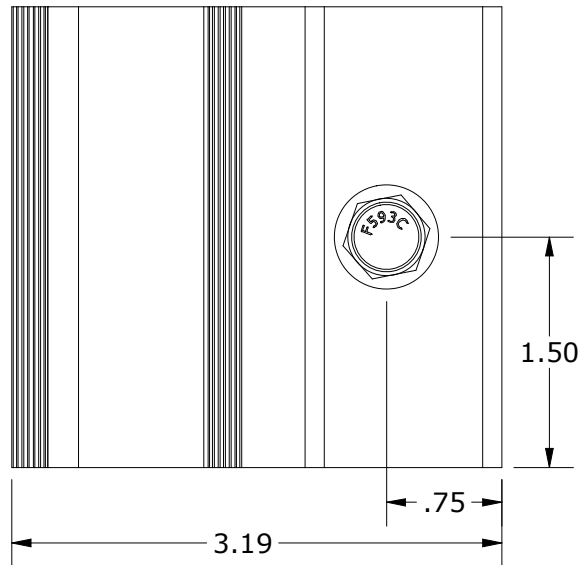
SnapNrack®

PART NUMBER(S):

242-10009

595 MARKET STREET, 29TH FLOOR • SAN FRANCISCO, CA 94105 USA
PHONE (415) 580-6900 • FAX (415) 580-6902

THE INFORMATION IN THIS DRAWING IS CONFIDENTIAL AND PROPRIETARY. ANY
REPRODUCTION, DISCLOSURE, OR USE THEREOF IS PROHIBITED WITHOUT THE
WRITTEN CONSENT OF SUNRUN SOUTH LLC.



ALL DIMENSIONS IN INCHES