

DESCRIPTION:  
**SNAPRACK, MIGHTYMOUNT METAL-T SEALING TRACK, SHORT**

DOC NUMBER:  
 SNR-DC-20002

**SnapNrack®**

PART NUMBER(S):

242-10013

DRAWN BY:  
 mwatkins

REV:

**C**

DATE:

1/24/2023

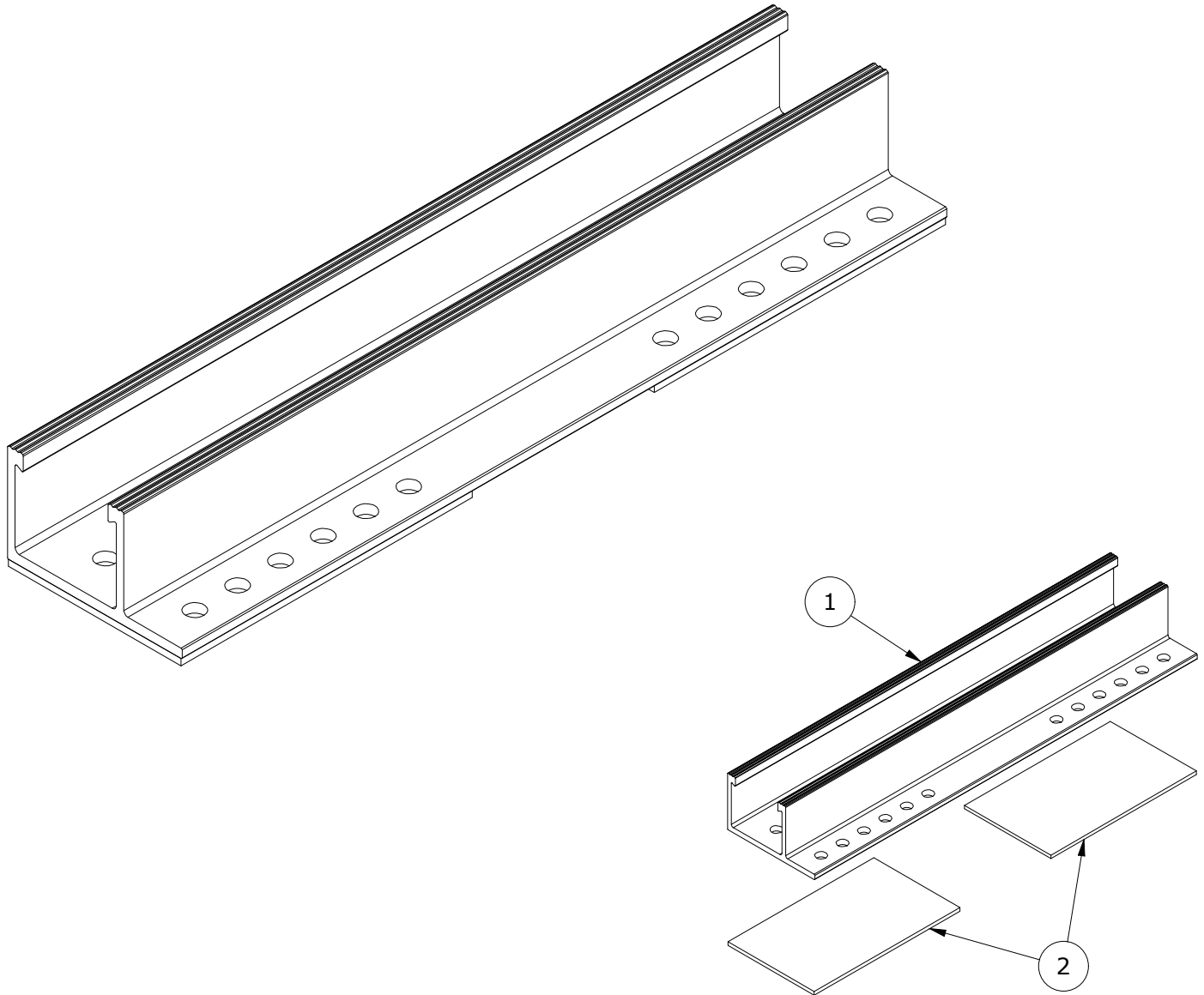
SUNRUN INSTALLATION SERVICES INC.

225 BUSH STREET, SUITE 1400 • SAN FRANCISCO, CA 94104 USA  
 PHONE (877) 732-2860 • CONTACT@SNAPNRACK.COM

THE INFORMATION IN THIS DRAWING IS CONFIDENTIAL AND PROPRIETARY. ANY REPRODUCTION, DISCLOSURE, OR USE THEREOF IS PROHIBITED WITHOUT THE WRITTEN CONSENT OF SUNRUN SOUTH LLC.

UNITS: IN, LB, DEG [MM, KG, DEG]

SHEET: 1:2



**PARTS LIST**

ITEM	QTY	DESCRIPTION
1	1	SNAPNRACK, MIGHTYMOUNT METAL-T TRACK, SHORT
2	2	SNAPNRACK, MIGHTYMOUNT METAL-T TRACK GASKET

MATERIALS:

6000 SERIES ALUMINUM, EPDM RUBBER

DESIGN LOAD (LBS):

N/A

ULTIMATE LOAD (LBS):

N/A

TORQUE SPECIFICATION:

N/A FT-LBS

CERTIFICATION:

UL 2703, FILE E359313

WEIGHT (LBS):

0.54

DESCRIPTION:  
**SNAPNRACK, MIGHTYMOUNT METAL-T SEALING TRACK, SHORT**

DOC NUMBER:  
 SNR-DC-20002

SnapNrack®

PART NUMBER(S):

242-10013

DRAWN BY:  
 mwatkins

REV:

DATE:

**C**

1/24/2023

SUNRUN INSTALLATION SERVICES INC.

225 BUSH STREET, SUITE 1400 • SAN FRANCISCO, CA 94104 USA  
 PHONE (877) 732-2860 • CONTACT@SNAPNRACK.COM

THE INFORMATION IN THIS DRAWING IS CONFIDENTIAL AND PROPRIETARY. ANY REPRODUCTION, DISCLOSURE, OR USE THEREOF IS PROHIBITED WITHOUT THE WRITTEN CONSENT OF SUNRUN SOUTH LLC.

UNITS: IN, LB, DEG [MM, KG, DEG]

SHEET: 2:2

