

OVERVIEW OF THE SNAPNRACK MIGHTYMOUNT SOLAR MOUNTING SOLUTION INSTALLED ON A COMPOSITION SHINGLE ROOF

REFER TO SPECIFIC "ATTACHMENT DETAIL" FOR DETAILS ON ATTACHING AND WATERPROOFING

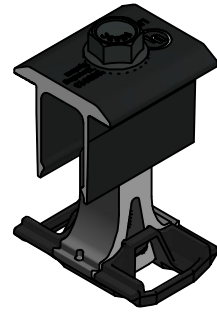
- MIGHTYMOUNT COMP-S: SNR-DC-00701
- SPEEDSEAL DECKTRACK: SNR-DC-00453

BOTH THE ULTRA RAIL END CLAMP AND UNIVERSAL END CLAMP CAN BE USED ON END SOLAR PANELS

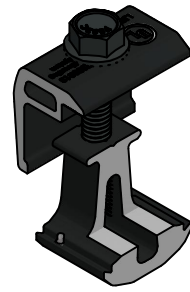
SOLAR PANELS MAY BE CLAMPED ON SHORT OR LONG SIDE PER SOLAR PANEL MANUFACTURER REQUIREMENTS

REFER TO SNAPNRACK INSTALLATION MANUAL FOR 5/16"Ø HARDWARE TORQUE SPECIFICATIONS

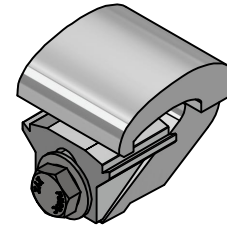
REVISION:		
A	5/23/2022	NEW DETAIL MKW



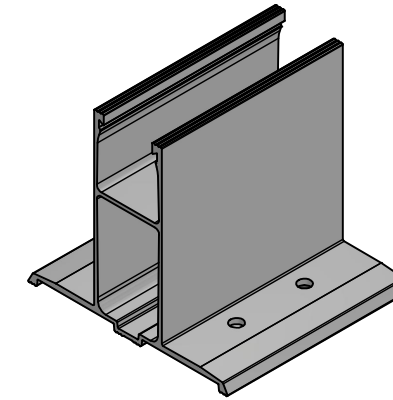
ULTRA RAIL MID CLAMP
ATTACHMENT METHOD
BETWEEN MODULES



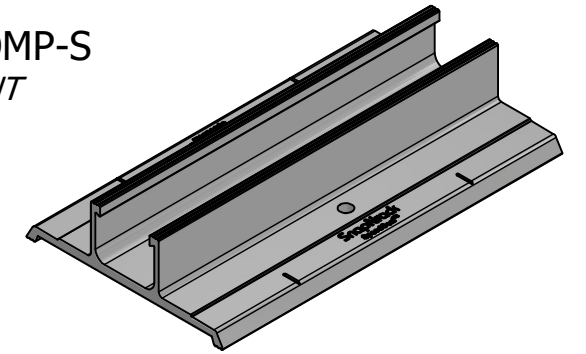
ULTRA RAIL END CLAMP
ATTACHMENT METHOD
AT MODULE ROW ENDS



UNIVERSAL END CLAMP
ATTACHMENT METHOD
AT MODULE ROW ENDS



MIGHTYMOUNT COMP-S
ROOF ATTACHMENT
SNR-DC-00701



SPEEDSEAL DECKTRACK
ROOF ATTACHMENT
SNR-DC-00453

