

SNAPNRACK MIGHTYMOUNT COMP-S COMPOSITION
ROOF MOUNTING ONTO DECK

REFER TO SNAPNRACK ENGINEERING CHARTS FOR
APPLICABLE MOUNTING REQUIREMENTS

(X4) #14 FULLY THREADED S.S. WOOD SCREWS,
MUST EMBED FULLY INTO WOOD DECK

REFER TO SNAPNRACK INSTALLATION MANUAL FOR
5/16"Ø HARDWARE TORQUE SPECIFICATIONS

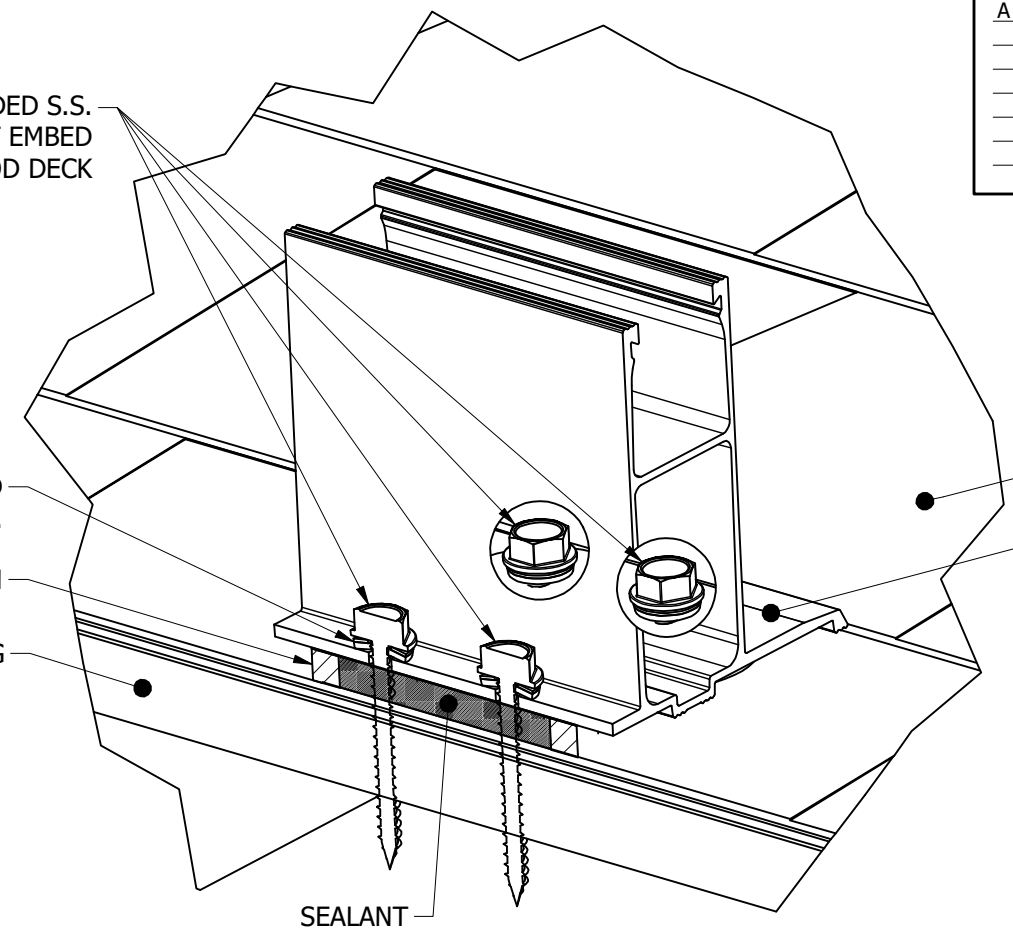
SNAPNRACK MIGHTYMOUNT COMP-S CAN MOUNT IN
ANY ORIENTATION ON THE ROOF

REVISION:		
A	5/23/2022	NEW DETAIL MKW

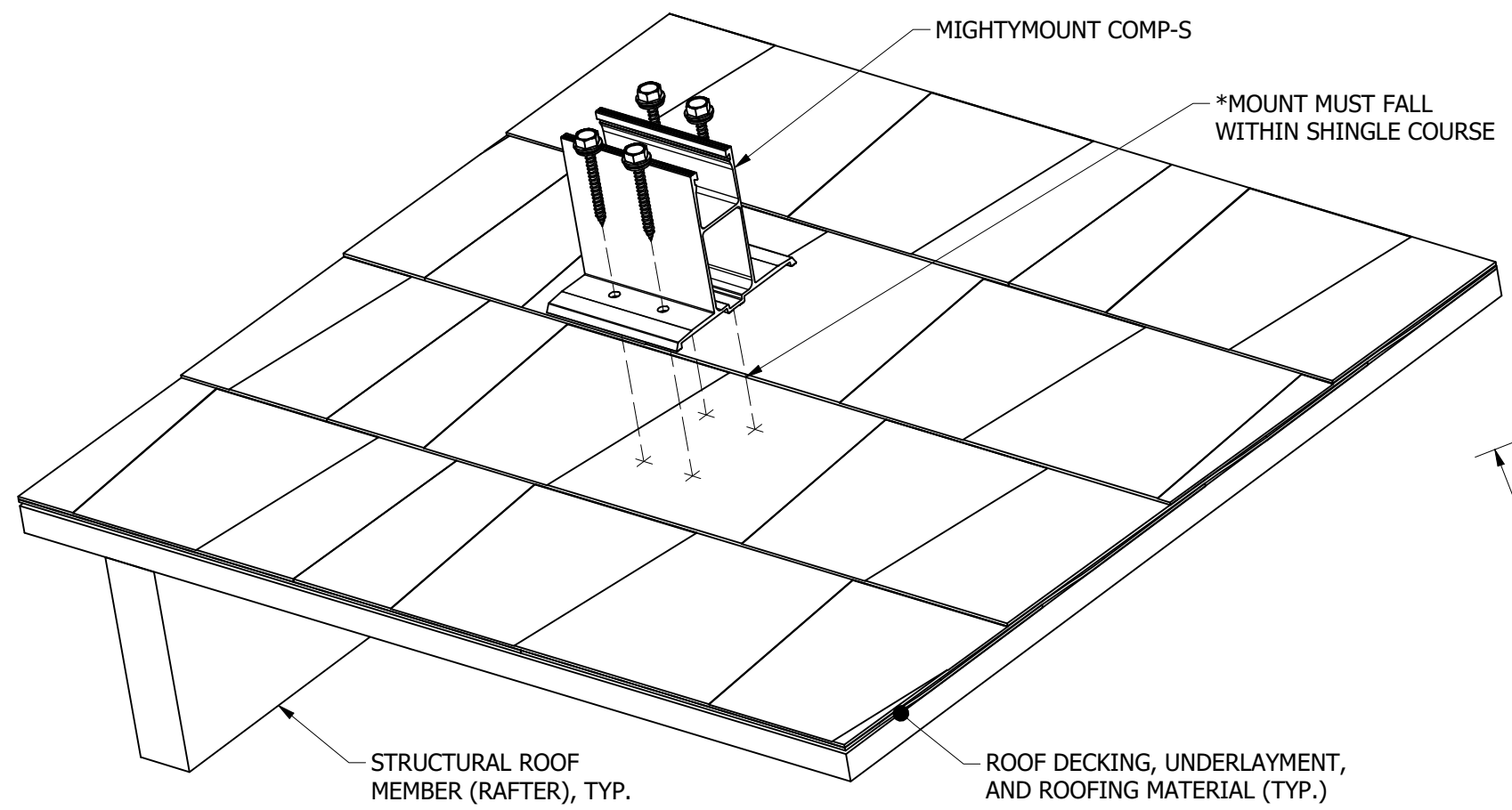
(4X) #14 FULLY THREADED S.S.
WOOD SCREWS, MUST EMBED
FULLY INTO WOOD DECK

S.S. EPDM BONDED
SEALING WASHER, TYP.
SEALANT DAM
ROOF DECKING

ROOF DECKING
MIGHTYMOUNT
COMP-S



COMPLETED INSTALLATION

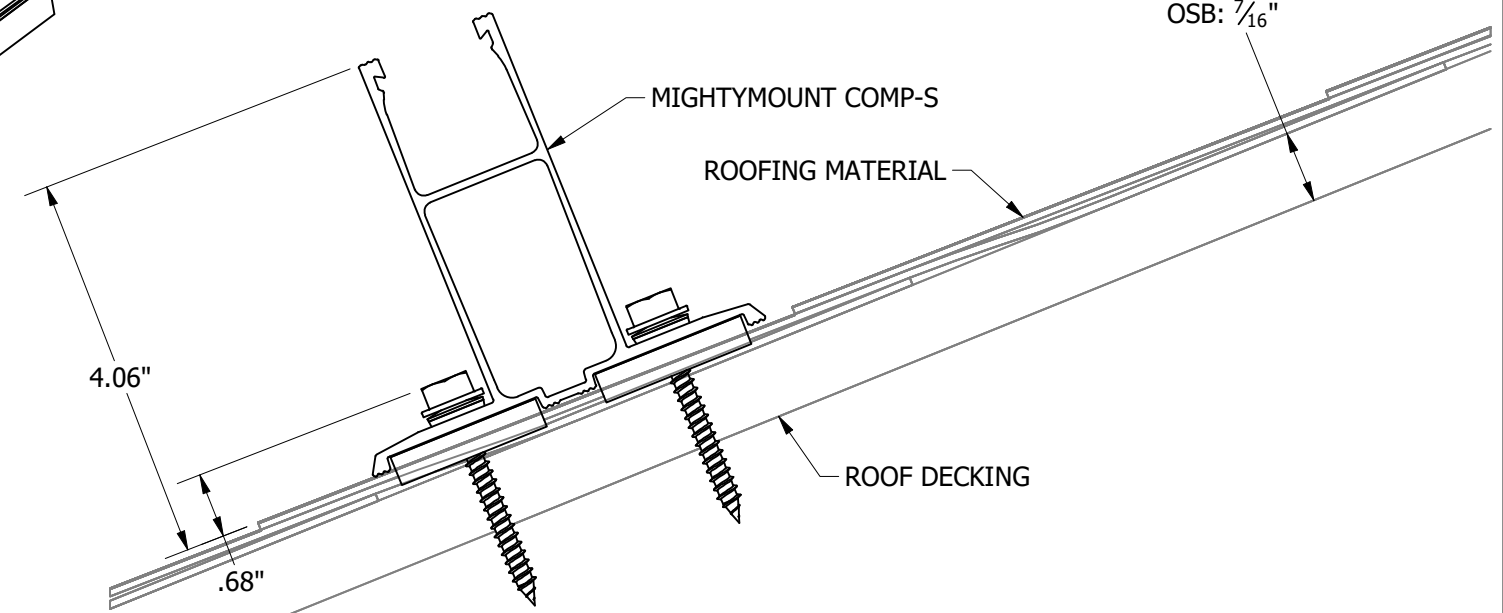


*MOUNT MUST FALL
WITHIN SHINGLE COURSE

STRUCTURAL ROOF
MEMBER (RAFTER), TYP.

ROOF DECKING, UNDERLAYMENT,
AND ROOFING MATERIAL (TYP.)

MINIMUM DECK THICKNESS:
PLYWOOD: 15/32"
OSB: 7/16"



COMPLETED INSTALLATION



Sunrun South LLC
595 MARKET STREET, 29TH FLOOR • SAN FRANCISCO, CA 94105 USA
PHONE (415) 580-6900 • FAX (415) 580-6902
THE INFORMATION IN THIS DRAWING IS CONFIDENTIAL AND PROPRIETARY. ANY
REPRODUCTION, DISCLOSURE, OR USE THEREOF IS PROHIBITED WITHOUT THE
WRITTEN CONSENT OF SUNRUN SOUTH LLC.

DESIGNER: M.AFFENTRANGER
DRAFTER: M.WATKINS
APPROVED BY: B.PETERSON

SCALE: NTS
DATE: 5/23/2022

DRAWING NUMBER:
SNR-DC-00701

DESCRIPTION:
MIGHTYMOUNT COMP-S, ATTACHMENT DETAIL,
DECK MOUNT

REV: A