

DESCRIPTION:
UNIVERSAL SKIRT FRAME MOUNT

DOC NUMBER:
 SNR-DC-01326

SnapNrack®

PART NUMBER(S):
 242-10006

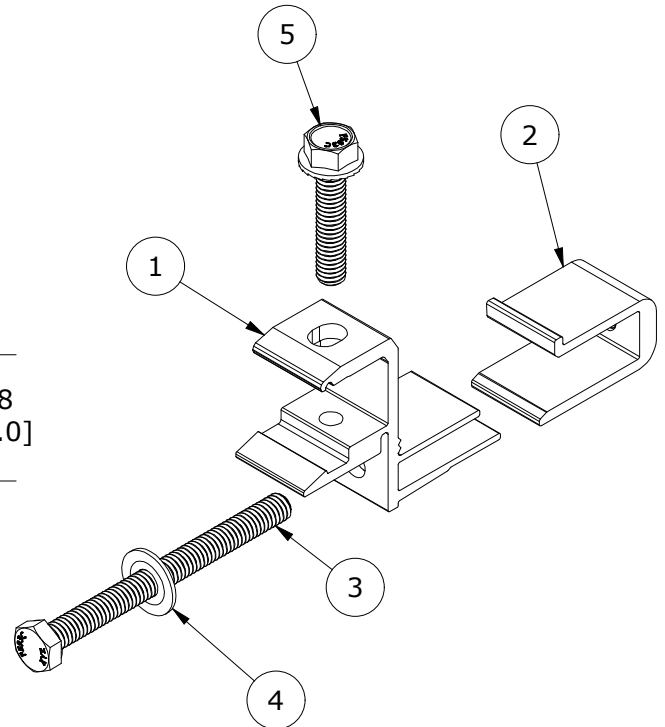
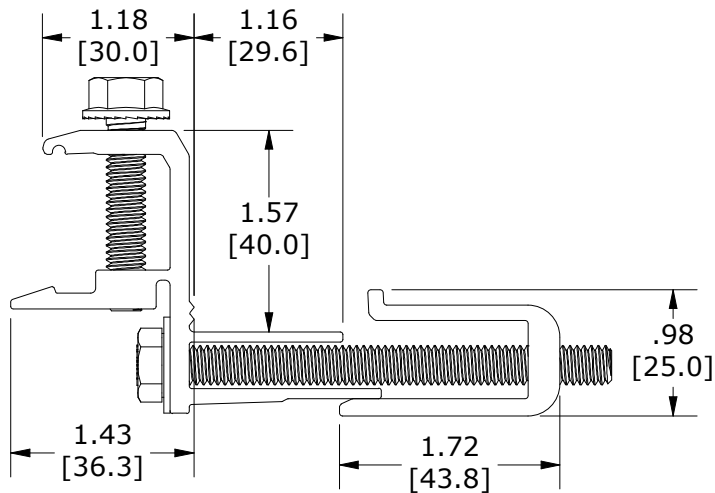
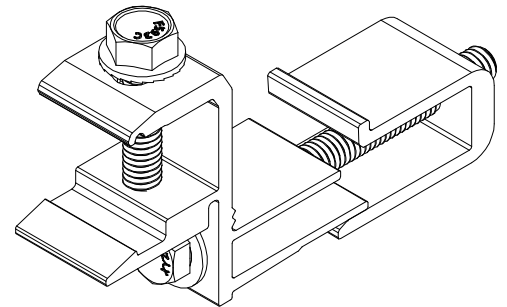
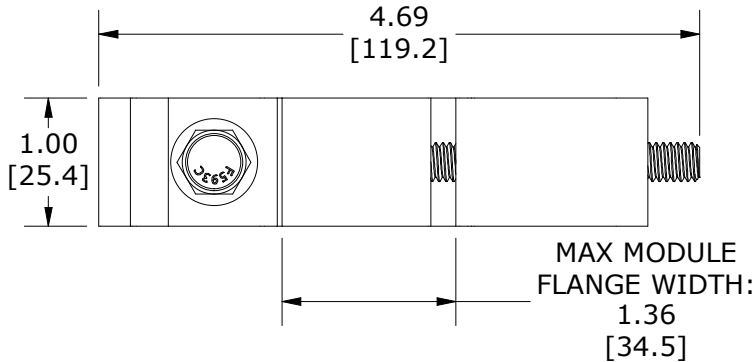
DRAWN BY:
 D. Ryan

SUNRUN INSTALLATION SERVICES INC.

REV: **B** DATE:
 1/19/2023

225 BUSH STREET, SUITE 1400 • SAN FRANCISCO, CA 94104 USA
 PHONE (877) 732-2860 • CONTACT@SNAPNRACK.COM
THE INFORMATION IN THIS DRAWING IS CONFIDENTIAL AND PROPRIETARY. ANY REPRODUCTION, DISCLOSURE, OR USE THEREOF IS PROHIBITED WITHOUT THE WRITTEN CONSENT OF SUNRUN SOUTH LLC.

UNITS: IN, LB, DEG [MM, KG, DEG] SHEET: 1:1



PARTS LIST		
ITEM	QTY	DESCRIPTION
1	1	SNAPNRACK, RL-U SKIRT FRAME MOUNT, BLACK
2	1	SNAPNRACK, SKIRT FRAME MOUNT CLAMP
3	1	BOLT, HEX CAP, 5/16IN-18 X 3-1/2IN, FULLY THREADED, SS
4	1	5/16IN X 3/4IN SS FLAT WASHER
5	1	BOLT, FLANGE SERRATED, 5/16IN-18 X 1-1/2IN, BLACK, SS

MATERIALS: 6000 SERIES ALUMINUM, 300 SERIES STAINLESS STEEL

DESIGN LOAD (LBS): 118 UP, 92 DOWN, 118 SIDE

ULTIMATE LOAD (LBS): 258 UP, 182 DOWN, 258 SIDE

TORQUE SPECIFICATION: SKIRT ATTACHMENT: 10+, MODULE ATTACHMENT: 6+ FT-LBS

CERTIFICATION: UL 2703, FILE E359313

WEIGHT (LBS): 0.27