

DESCRIPTION:
**SNR-DC-30008 SNAPRACK, TDS, TOPSPEED,
MOUNT**

PART NUMBER(S):
242-10005

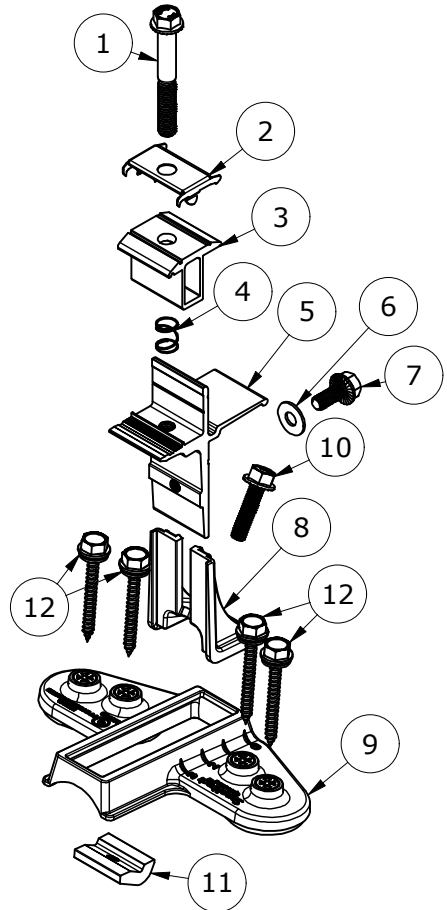
DRAWN BY:
B.PETERSON

REVISION:
A

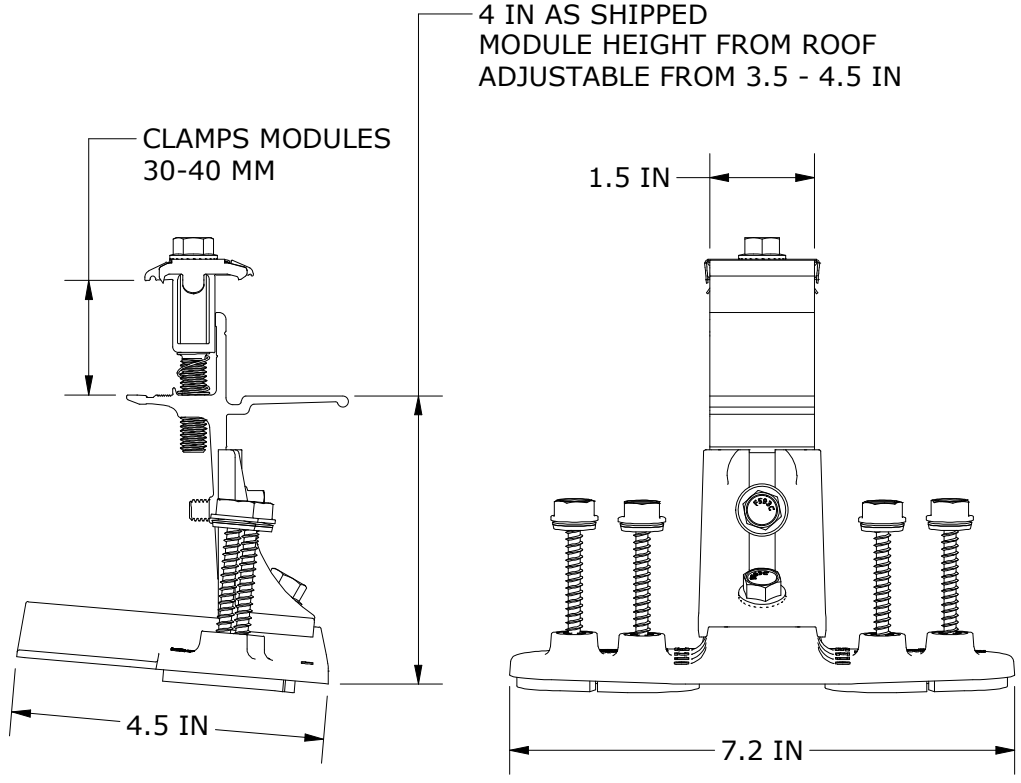
SnapNrack®

595 MARKET STREET, 29TH FLOOR • SAN FRANCISCO, CA 94105 USA
PHONE (415) 580-6900 • FAX (415) 580-6902

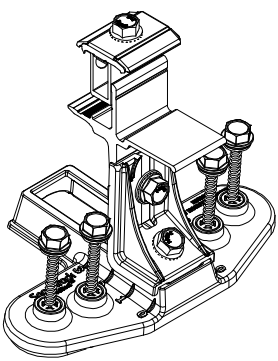
THE INFORMATION IN THIS DRAWING IS CONFIDENTIAL AND PROPRIETARY. ANY REPRODUCTION, DISCLOSURE, OR USE THEREOF IS PROHIBITED WITHOUT THE WRITTEN CONSENT OF SUNRUN SOUTH LLC.



EXPLODED



PARTS LIST		
ITEM	QTY	DESCRIPTION
1	1	BOLT, FLANGE, SERRATED, 3/8IN-16 X 2-3/4IN, 1/2IN TRIM HEAD, 1.2IN THREAD, BLACK, SS
2	1	SNAPRACK, RL UNIVERSAL, BONDING CLIP
3	1	SNAPRACK, RL UNIVERSAL, MOUNT TOP, BLACK
4	1	SNAPRACK, RL UNIVERSAL, MOUNT SPRING, SS
5	1	SNAPRACK, MODULE CLAMP, TOWER, ROCK-IN
6	1	5-16IN X 3-4IN SS FLAT WASHER
7	1	BOLT, FLANGE, 5-16IN-18 X 3-4IN, CLEAR, SS
8	1	SNAPRACK, ANGLE BRKT, 90 DEG, 1IN SLOT, 25 DEG FASTENER
9	1	SNAPRACK, BASE, COMP ROOF, DECK MOUNT, SPEEDSEAL
10	1	BOLT, FLANGED HEX, 5-16IN-18 X 1-1-4IN, SS
11	1	SNAPRACK, CHANNEL NUT, 5-16IN-18, 25 DEG FASTENER
12	4	SNAPRACK, SEALING WASHER WOOD SCREW, #14 X 2-1-4IN, 1-2IN HEX HEAD, SS



MATERIALS:	ALUMINIUM, STAINLESS STEEL
DESIGN LOAD (LBS):	210 LBF UP, 320 LBF DOWN, 162 LBF SIDE
ULTIMATE LOAD (LBS):	630 LBF UP, 960 LBF DOWN, 486 LBF SIDE
TORQUE SPECIFICATION:	SEE INSTALLATION MANUAL
CERTIFICATION:	UL2703
WEIGHT (LBS):	1.1