

DESCRIPTION:
**SNR-DC-30009 SNAPRACK, TDS, TOPSPEED,
 CLAMP**

PART NUMBER(S):
242-10011

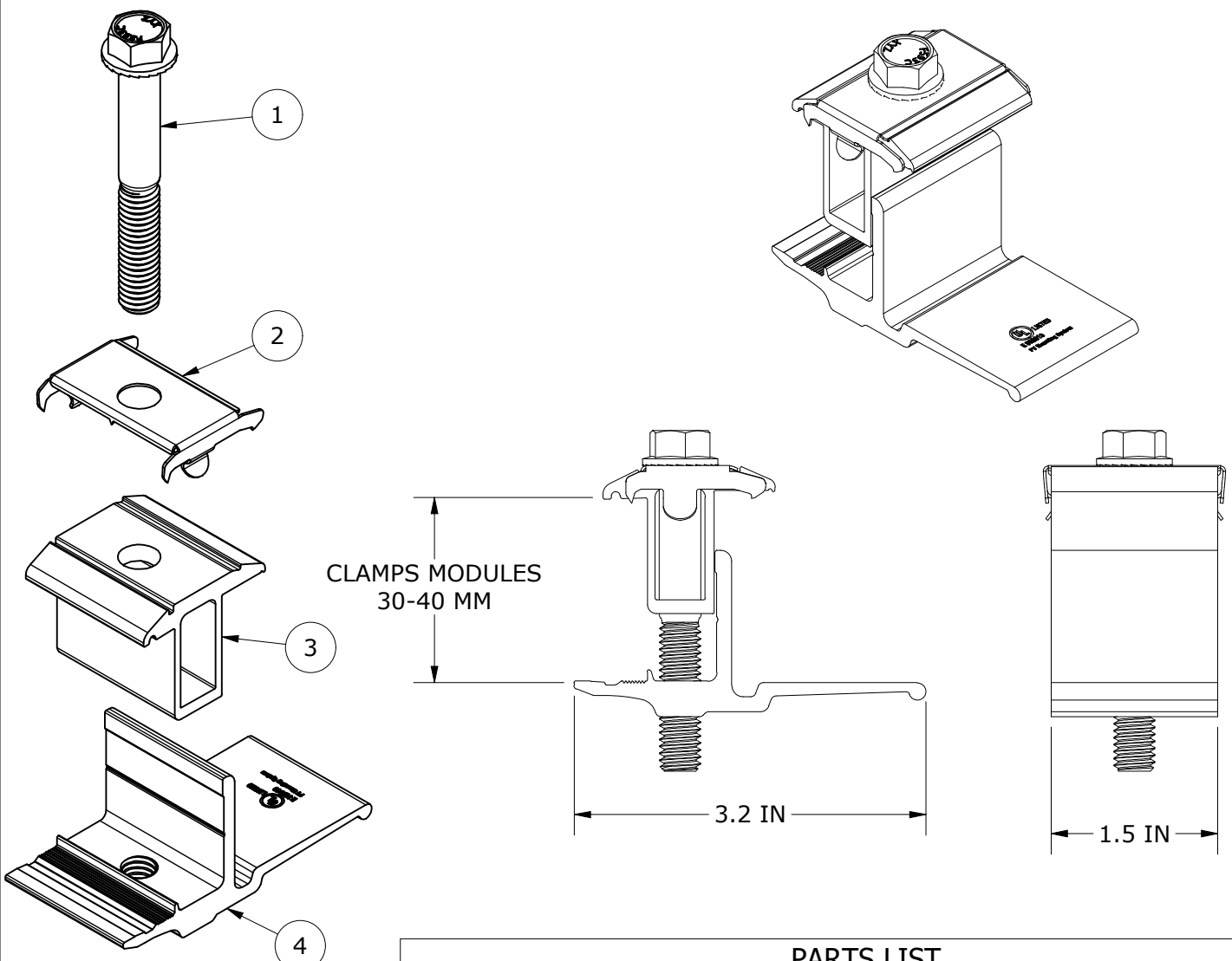
DRAWN BY:
B.PETERSON

REVISION:
A

SnapNrack®

595 MARKET STREET, 29TH FLOOR • SAN FRANCISCO, CA 94105 USA
 PHONE (415) 580-6900 • FAX (415) 580-6902

THE INFORMATION IN THIS DRAWING IS CONFIDENTIAL AND PROPRIETARY. ANY REPRODUCTION, DISCLOSURE, OR USE THEREOF IS PROHIBITED WITHOUT THE WRITTEN CONSENT OF SUNRUN SOUTH LLC.



EXPLODED

PARTS LIST

ITEM	QTY	DESCRIPTION
1	1	BOLT, FLANGE, SERRATED, 3/8IN-16 X 2-3/4IN, 1/2IN TRIM HEAD, 1.2IN THREAD, BLACK, SS
2	1	SNAPRACK, RL UNIVERSAL, BONDING CLIP
3	1	SNAPRACK, RL UNIVERSAL, MOUNT TOP, BLACK
4	1	SNAPRACK, FLOATING CLAMP, ROCK-IN, BOTTOM

MATERIALS:	ALUMINIUM, STAINLESS STEEL
DESIGN LOAD (LBS):	N/A
ULTIMATE LOAD (LBS):	N/A
TORQUE SPECIFICATION:	SEE INSTALLATION MANUAL
CERTIFICATION:	UL2703
WEIGHT (LBS):	.28