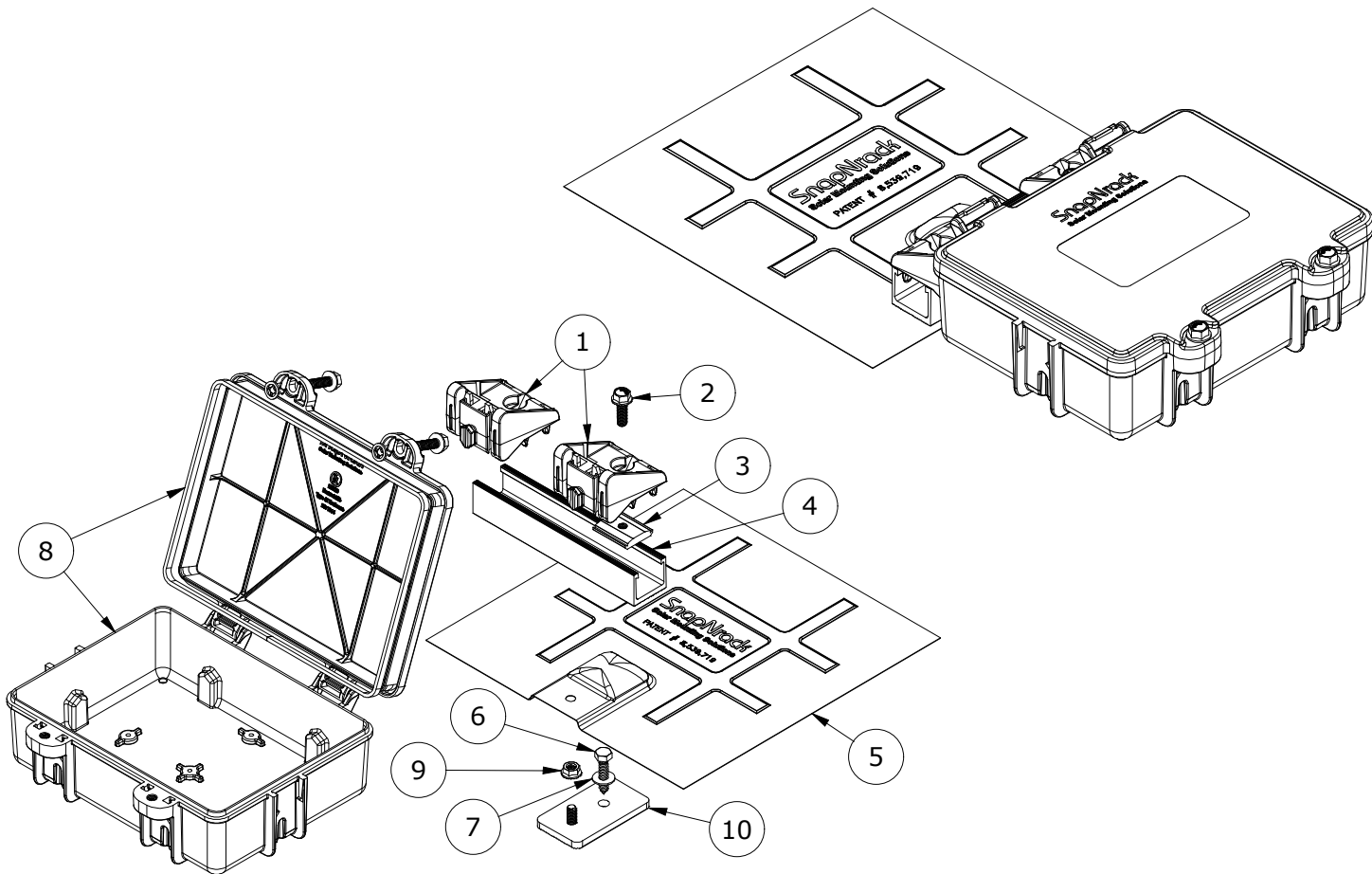


DESCRIPTION: JUNCTION BOX XL WITH COMP KIT		DOC NUMBER: SNR-DC-01383	SnapNrack®
PART NUMBER(S): 242-92121		DRAWN BY: mwatkins	
UNITS: IN, LB, DEG [MM, KG, DEG]	SHEET: 1:2	REV: B	DATE: 1/20/2023
<p>SUNRUN INSTALLATION SERVICES INC. 225 BUSH STREET, SUITE 1400 • SAN FRANCISCO, CA 94104 USA PHONE (877) 732-2860 • CONTACT@SNAPNRACK.COM</p> <p><small>THE INFORMATION IN THIS DRAWING IS CONFIDENTIAL AND PROPRIETARY. ANY REPRODUCTION, DISCLOSURE, OR USE THEREOF IS PROHIBITED WITHOUT THE WRITTEN CONSENT OF SUNRUN SOUTH LLC.</small></p>			



PARTS LIST		
ITEM	QTY	DESCRIPTION
1	2	SNAPNRACK, J BOX TRACK BRACKET
2	1	BOLT, FLANGE, SERRATED, 5/16IN-18 X 1IN, SS
3	1	SNAPNRACK CHANNEL NUT 5/16IN-18
4	1	SNAPNRACK, FLASH TRACK, 7-1/2IN LENGTH, 5/16 BOLT HOLE, PLAIN ENDS
5	1	SNAPNRACK, L FOOT FLASHING, 12IN X 12IN, BLACK GALV
6	1	SCREW, LAG, 5/16IN X 1-1/2IN, HEX, SS
7	1	5/16IN X 3/4IN SS FLAT WASHER
8	1	SNAPNRACK, JUNCTION BOX XL (BARE)
9	1	NUT, FLANGE, SERRATED, 5/16IN-18, BLACK, SS
10	1	SNAPNRACK, L FOOT BASE, MILL

MATERIALS:	POLYCARBONATE, CLOSED CELL FOAM, ALUMINUM, STAINLESS AND GALV. STEEL
DESIGN LOAD (LBS):	N/A
ULTIMATE LOAD (LBS):	N/A
TORQUE SPECIFICATION:	10 (FLANGE NUT), 5 (CHANNEL NUT), 3 (LID) FT-LBS
CERTIFICATION:	UL50/UL50E, NEMA 4X RATING
WEIGHT (LBS):	5.21

DESCRIPTION:

JUNCTION BOX XL WITH COMP KIT

DOC NUMBER:

SNR-DC-01383

SnapNrack®

DRAWN BY:

mwatkins

PART NUMBER(S):

242-92121

REV:

B

DATE:

1/20/2023

SUNRUN INSTALLATION SERVICES INC.

225 BUSH STREET, SUITE 1400 • SAN FRANCISCO, CA 94104 USA
PHONE (877) 732-2860 • CONTACT@SNAPNRACK.COM

THE INFORMATION IN THIS DRAWING IS CONFIDENTIAL AND PROPRIETARY. ANY REPRODUCTION, DISCLOSURE, OR USE THEREOF IS PROHIBITED WITHOUT THE WRITTEN CONSENT OF SUNRUN SOUTH LLC.

UNITS: IN, LB, DEG [MM, KG, DEG]

SHEET: 2:2

