

DESCRIPTION:

SNAPNRACK, OMNISHIELD

DRAWN BY:

M.Affentranger

SnapNrack®

PART NUMBER(S):

232-10042

REVISION:

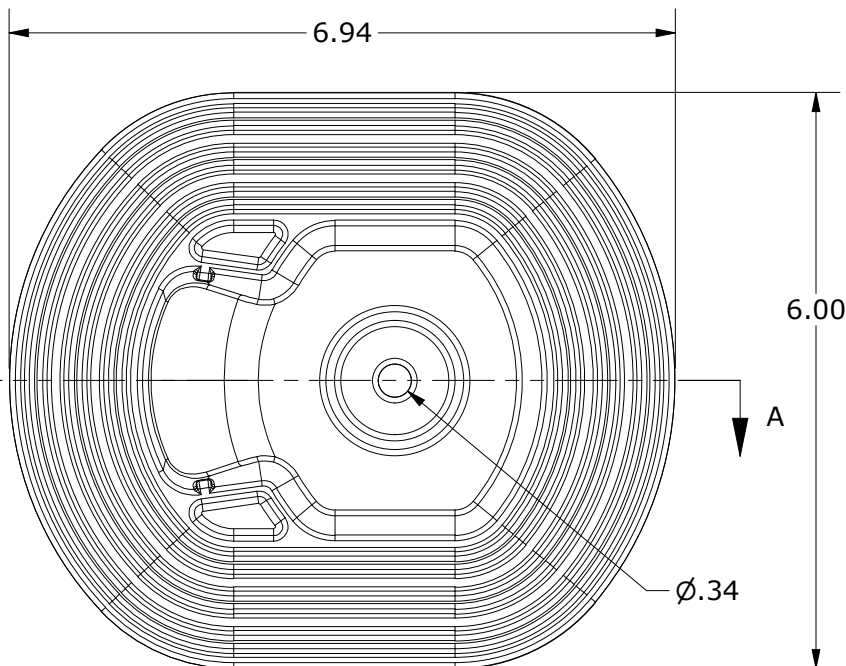
A

595 MARKET STREET, 29TH FLOOR • SAN FRANCISCO, CA 94105 USA
PHONE (415) 580-6900 • FAX (415) 580-6902

THE INFORMATION IN THIS DRAWING IS CONFIDENTIAL AND PROPRIETARY. ANY REPRODUCTION, DISCLOSURE, OR USE THEREOF IS PROHIBITED WITHOUT THE WRITTEN CONSENT OF SUNRUN SOUTH LLC.



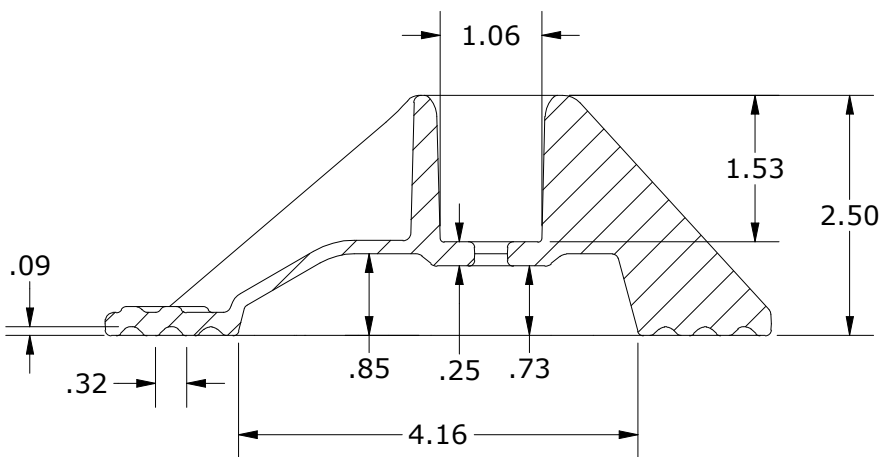
ISO BOTTOM



BOTTOM



ISO TOP



SECTION A-A

ALL DIMENSIONS IN INCHES

MATERIALS:

A380 ALUMINUM

DESIGN LOAD (LBS):

VARIABLES, REFER TO SNAPNRACK ENGINEERING

ULTIMATE LOAD (LBS):

VARIABLES, REFER TO SNAPNRACK ENGINEERING

TORQUE SPECIFICATION:

12 LB-FT

CERTIFICATION:

UL2703 FILE E359313, ASTM E2140

WEIGHT (LBS):

1.183