

DESCRIPTION:  
**SNAPRACK, ULTRA RAIL LEVELING SPACER,  
 BLACK**

DOC NUMBER:  
 SNR-DC-01341

SnapNrack®

PART NUMBER(S):

242-05161

DRAWN BY:  
 Marty.Affentranger

REV:

**A**

DATE:

1/31/2023

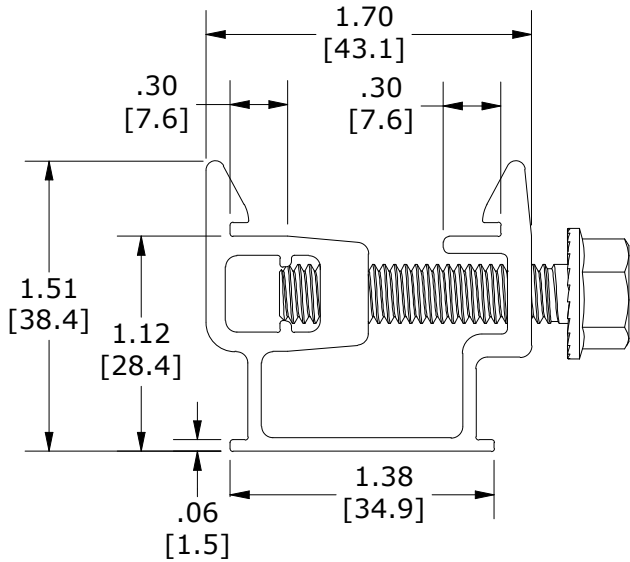
SUNRUN INSTALLATION SERVICES INC.

225 BUSH STREET, SUITE 1400 • SAN FRANCISCO, CA 94104 USA  
 PHONE (877) 732-2860 • CONTACT@SNAPNRACK.COM

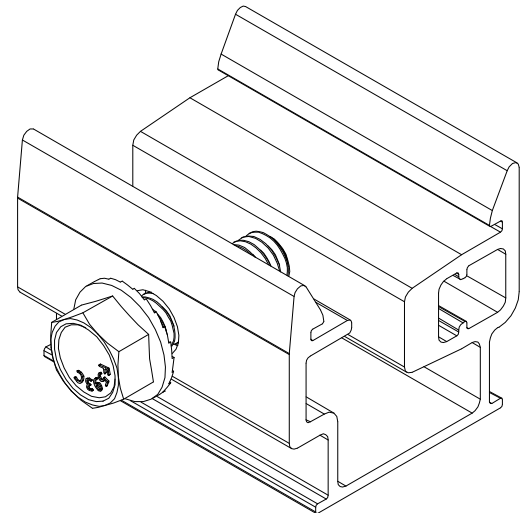
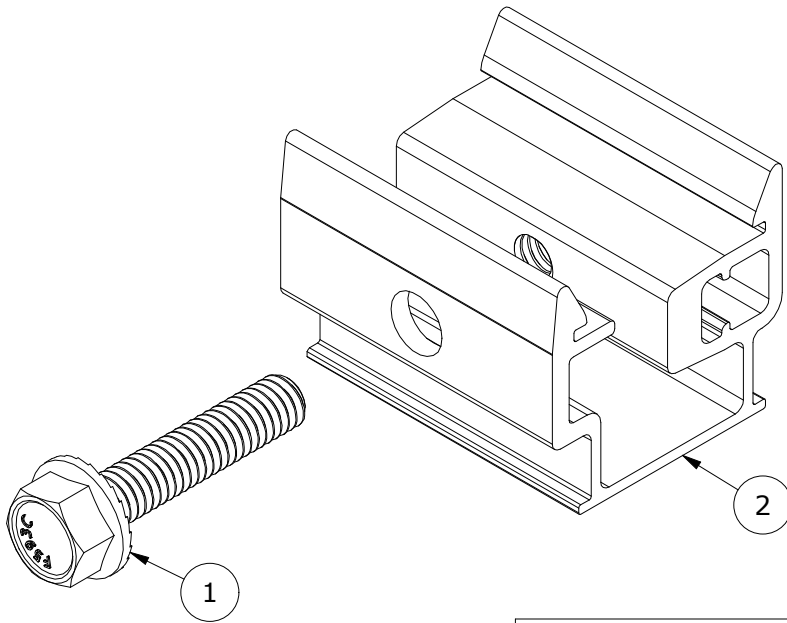
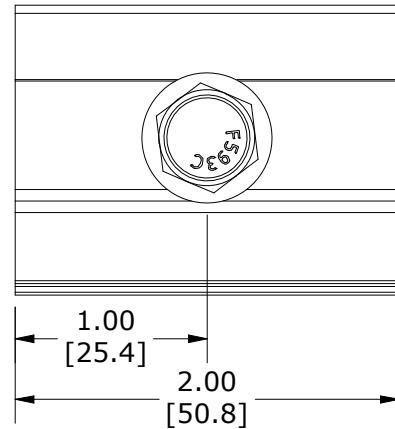
THE INFORMATION IN THIS DRAWING IS CONFIDENTIAL AND PROPRIETARY. ANY REPRODUCTION, DISCLOSURE, OR USE THEREOF IS PROHIBITED WITHOUT THE WRITTEN CONSENT OF SUNRUN SOUTH LLC.

UNITS: IN, LB, DEG [MM, KG, DEG]

SHEET: 1:1



LEVELING SPACER LIMITATIONS	
NO. OF SPACERS	ALLOWABLE USAGE
1	30% OF MOUNTS
2	10% OF MOUNTS



PARTS LIST		
ITEM	QTY	DESCRIPTION
1	1	BOLT, FLANGE SERRATED, 5/16IN-18 X 1-1/2IN, BLACK, SS
2	1	SNAPRACK, ULTRA RAIL LEVELING SPACER, BASE, BLACK

MATERIALS:	6000 SERIES ALUMINUM, STAINLESS STEEL
DESIGN LOAD (LBS):	N/A
ULTIMATE LOAD (LBS):	N/A
TORQUE SPECIFICATION:	12 FT-LBS
CERTIFICATION:	UL 2703, FILE E359313
WEIGHT (LBS):	0.19