

DESCRIPTION:  
**SNAPNRACK, TDS, SPEEDSEAL JUNCTION BOX XL, COMP KIT**

DOC NUMBER:  
**SNR-DC-01350**

**SnapNrack®**

PART NUMBER(S):

**242-92128**

DRAWN BY:  
**H.WULFEKOETTER**

REV: **C**      DATE:  
**1/23/2023**

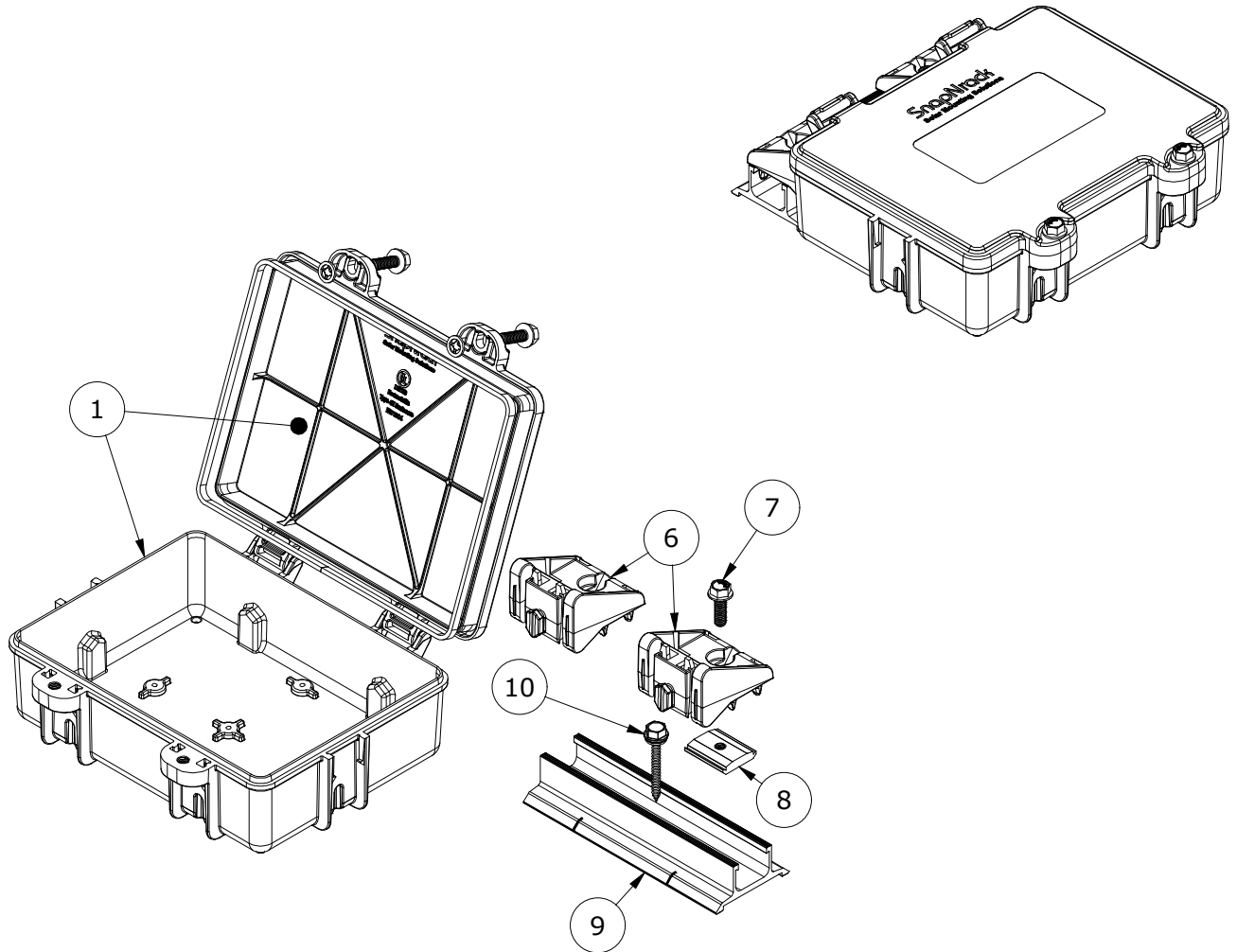
**SUNRUN INSTALLATION SERVICES INC.**

225 BUSH STREET, SUITE 1400 • SAN FRANCISCO, CA 94104 USA  
 PHONE (877) 732-2860 • CONTACT@SNAPNRACK.COM

THE INFORMATION IN THIS DRAWING IS CONFIDENTIAL AND PROPRIETARY. ANY REPRODUCTION, DISCLOSURE, OR USE THEREOF IS PROHIBITED WITHOUT THE WRITTEN CONSENT OF SUNRUN SOUTH LLC.

UNITS: IN, LB, DEG [MM, KG, DEG]

SHEET: 1:2



**PARTS LIST**

ITEM	QTY	DESCRIPTION
1	1	SNAPNRACK, JUNCTION BOX XL (BARE)
6	2	SNAPNRACK, J BOX TRACK BRACKET
7	1	BOLT, FLANGE, SERRATED, 5/16IN-18 X 1IN, SS
8	1	SNAPNRACK CHANNEL NUT 5/16IN-18
9	1	SNAPNRACK, SPEEDSEAL TRACK, 7-1-2IN, SEALING, MILL
10	1	SNAPNRACK, SEALING WASHER WOOD SCREW, #14 X 2-1-4IN, 1-2IN HEX HEAD, SS

MATERIALS:	POLYCARBONATE, CLOSED CELL FOAM, ALUMINUM, STAINLESS STEEL
DESIGN LOAD (LBS):	N/A
ULTIMATE LOAD (LBS):	N/A
TORQUE SPECIFICATION:	5 (CHANNEL NUT), 3 (LID) FT-LBS
CERTIFICATION:	UL50/UL50E, NEMA 4X RATING
WEIGHT (LBS):	4.51 - 6.17

DESCRIPTION:  
**SNAPNRACK, TDS, SPEEDSEAL JUNCTION BOX**  
**XL, COMP KIT**

DOC NUMBER:  
 SNR-DC-01350

SnapNrack®

PART NUMBER(S):

242-92128

DRAWN BY:  
 H.WULFEKOETTER

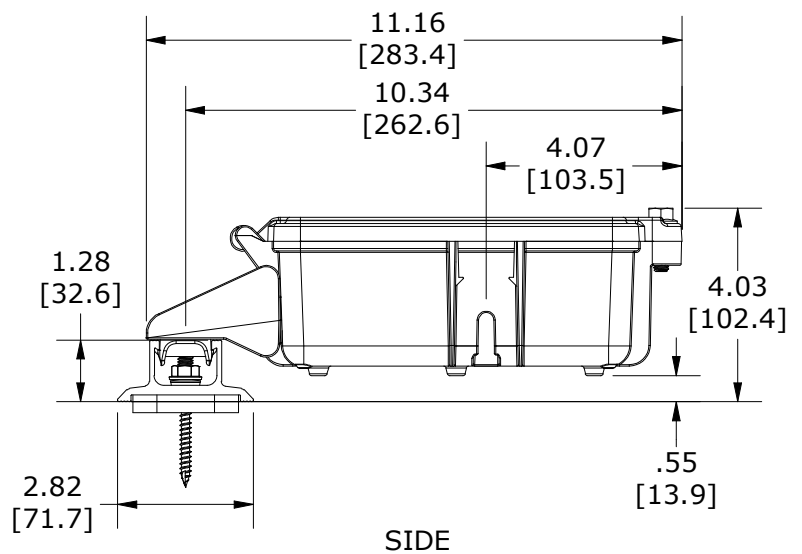
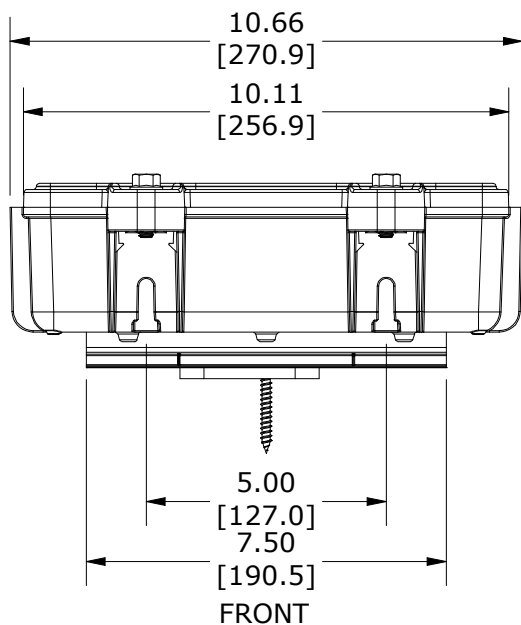
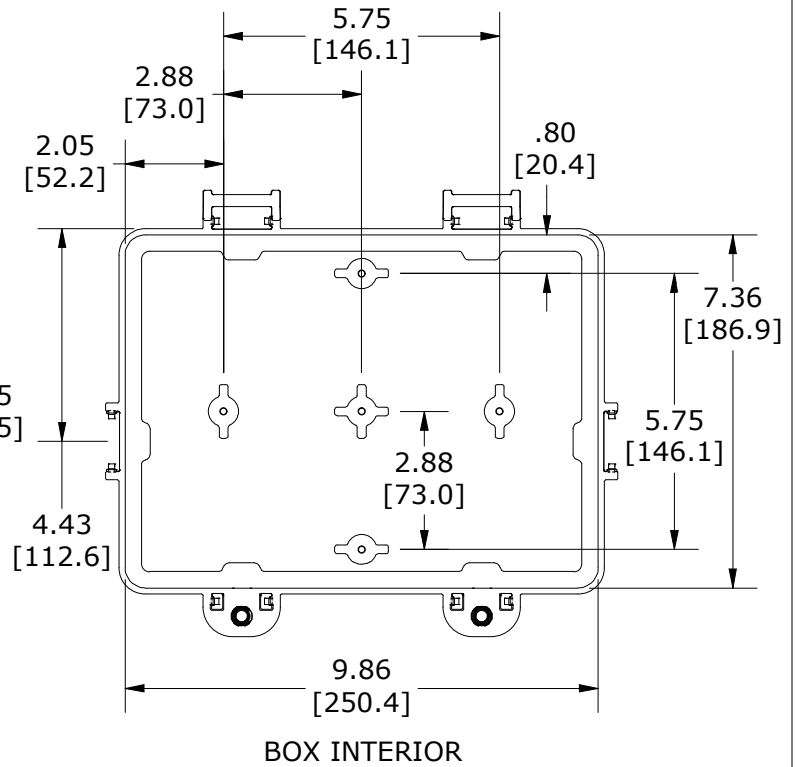
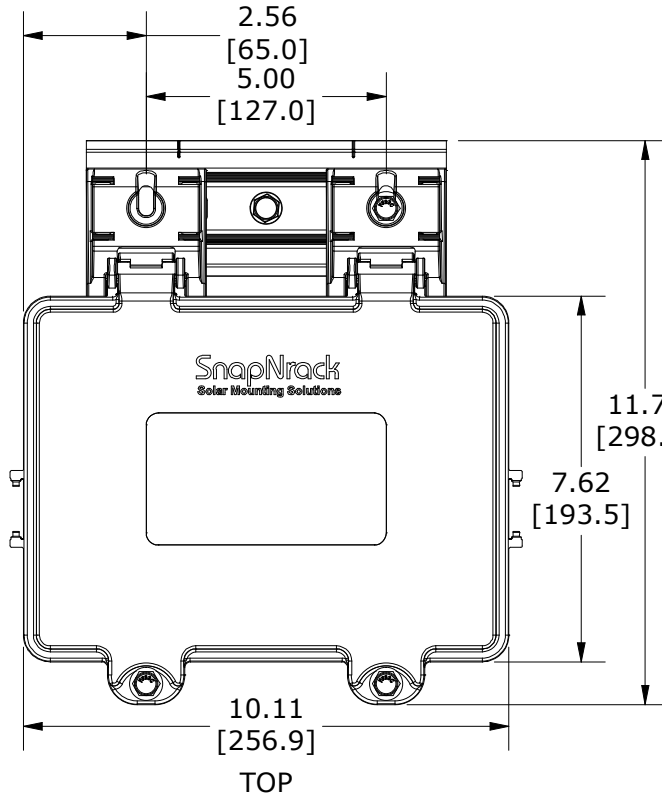
SUNRUN INSTALLATION SERVICES INC.

REV: **C**      DATE:  
 1/23/2023

225 BUSH STREET, SUITE 1400 • SAN FRANCISCO, CA 94104 USA  
 PHONE (877) 732-2860 • CONTACT@SNAPNRACK.COM  
 THE INFORMATION IN THIS DRAWING IS CONFIDENTIAL AND PROPRIETARY. ANY  
 REPRODUCTION, DISCLOSURE, OR USE THEREOF IS PROHIBITED WITHOUT THE  
 WRITTEN CONSENT OF SUNRUN SOUTH LLC.

UNITS: IN, LB, DEG [MM, KG, DEG]

SHEET: 2:2



SIDE

FRONT