

DESCRIPTION:
**SNAPNRACK, TDS, RL UNIVERSAL, SPEEDSEAL
 MOUNT KIT**

DOC NUMBER:
 SNR-DC-01363

SnapNrack®

PART NUMBER(S):

242-92642

DRAWN BY:
 H.WULFEKOETTER

REV: **B** DATE:
 1/23/2023

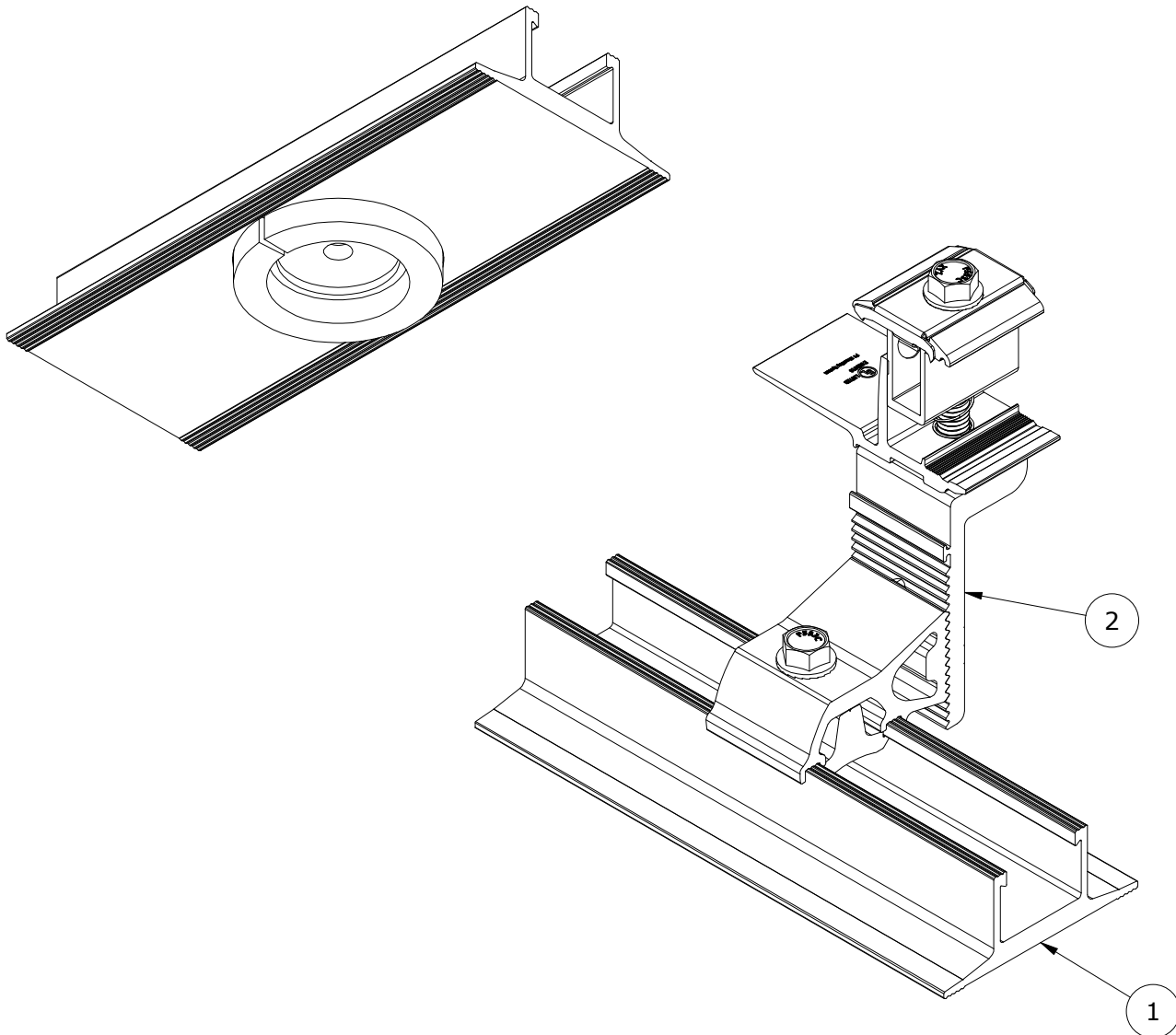
SUNRUN INSTALLATION SERVICES INC.

225 BUSH STREET, SUITE 1400 • SAN FRANCISCO, CA 94104 USA
 PHONE (877) 732-2860 • CONTACT@SNAPNRACK.COM

THE INFORMATION IN THIS DRAWING IS CONFIDENTIAL AND PROPRIETARY. ANY
 REPRODUCTION, DISCLOSURE, OR USE THEREOF IS PROHIBITED WITHOUT THE
 WRITTEN CONSENT OF SUNRUN SOUTH LLC.

UNITS: IN, LB, DEG [MM, KG, DEG]

SHEET: 1:2



PARTS LIST

ITEM	QTY	DESCRIPTION
1	1	SNAPNRACK, SPEEDSEAL TRACK, 7-1/2IN, SEALING, MILL
2	1	SNAPNRACK, RL UNIVERSAL, MOUNT

MATERIALS:	6000 SERIES ALUMINUM, STAINLESS STEEL, FOAM
DESIGN LOAD (LBS):	623 UP, 674 DOWN, 505 SIDE
ULTIMATE LOAD (LBS):	N/A
TORQUE SPECIFICATION:	12 FT-LBS
CERTIFICATION:	UL 2703, FILE E359313; WIND-DRIVEN RAIN TEST FROM UL SUBJECT 2582
WEIGHT (LBS):	1.39

DESCRIPTION:
**SNAPNRACK, TDS, RL UNIVERSAL, SPEEDSEAL
 MOUNT KIT**

DOC NUMBER:
 SNR-DC-01363

SnapNrack®

PART NUMBER(S):

242-92642

DRAWN BY:
 H.WULFEKOETTER

REV: **B** DATE:
 1/23/2023

SUNRUN INSTALLATION SERVICES INC.

225 BUSH STREET, SUITE 1400 • SAN FRANCISCO, CA 94104 USA
 PHONE (877) 732-2860 • CONTACT@SNAPNRACK.COM

THE INFORMATION IN THIS DRAWING IS CONFIDENTIAL AND PROPRIETARY. ANY
 REPRODUCTION, DISCLOSURE, OR USE THEREOF IS PROHIBITED WITHOUT THE
 WRITTEN CONSENT OF SUNRUN SOUTH LLC.

UNITS: IN, LB, DEG [MM, KG, DEG]

SHEET: 2:2

