

DESCRIPTION:
SNAPNRACK, TDS, ULTRA RAIL TILE HOOK F

DOC NUMBER:
 SNR-DC-01373

SnapNrack®

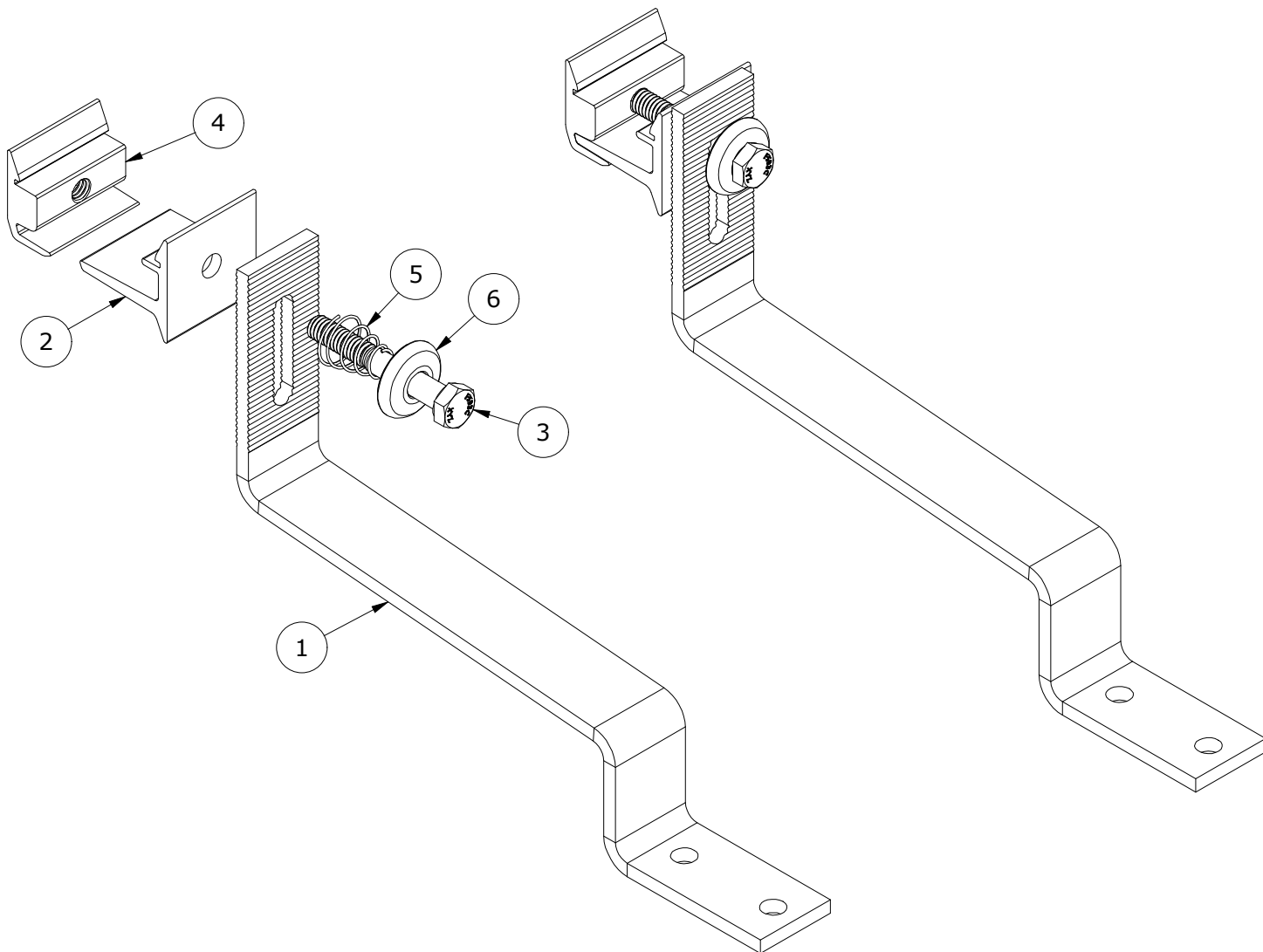
PART NUMBER(S):
 242-01247

DRAWN BY:
 H.WULFEKOETTER

REV: **B** DATE:
 1/24/2023

SUNRUN INSTALLATION SERVICES INC.
 225 BUSH STREET, SUITE 1400 • SAN FRANCISCO, CA 94104 USA
 PHONE (877) 732-2860 • CONTACT@SNAPNRACK.COM
THE INFORMATION IN THIS DRAWING IS CONFIDENTIAL AND PROPRIETARY. ANY REPRODUCTION, DISCLOSURE, OR USE THEREOF IS PROHIBITED WITHOUT THE WRITTEN CONSENT OF SUNRUN SOUTH LLC.

UNITS: IN, LB, DEG [MM, KG, DEG] SHEET: 1:2



PARTS LIST		
ITEM	QTY	DESCRIPTION
1	1	SNAPNRACK, TILE HOOK F PRC, SS
2	1	SNAPNRACK, ULTRA RAIL MOUNT THRU PRC, CLEAR
4	1	SNAPNRACK, ULTRA RAIL MOUNT TAPPED PRC, CLEAR
3	1	BOLT, FLANGE, SERRATED, 5/16IN-18 X 1-3/4IN, SS
5	1	SNAPNRACK, ULTRA RAIL MOUNT SPRING, SS
6	1	SNAPNRACK, ULTRA RAIL MOUNT SPRING CAGE, 6061-T6 AL

MATERIALS:	6000 SERIES ALUMINUM, STAINLESS STEEL
DESIGN LOAD (LBS):	820 UP, 500 DOWN, 430 SIDE
ULTIMATE LOAD (LBS):	2121 UP, 1304 DOWN, 1662 SIDE
TORQUE SPECIFICATION:	12 FT-LBS
CERTIFICATION:	UL 2703, FILE E359313
WEIGHT (LBS):	1.06

DESCRIPTION:

SNAPNRACK, TDS, ULTRA RAIL TILE HOOK F

DOC NUMBER:

SNR-DC-01373

SnapNrack®

DRAWN BY:

H.WULFEKOETTER

PART NUMBER(S):

242-01247

REV:

B

DATE:

1/24/2023

SUNRUN INSTALLATION SERVICES INC.

225 BUSH STREET, SUITE 1400 • SAN FRANCISCO, CA 94104 USA
PHONE (877) 732-2860 • CONTACT@SNAPNRACK.COM

THE INFORMATION IN THIS DRAWING IS CONFIDENTIAL AND PROPRIETARY. ANY REPRODUCTION, DISCLOSURE, OR USE THEREOF IS PROHIBITED WITHOUT THE WRITTEN CONSENT OF SUNRUN SOUTH LLC.

UNITS: IN, LB, DEG [MM, KG, DEG]

SHEET: 2:2

