

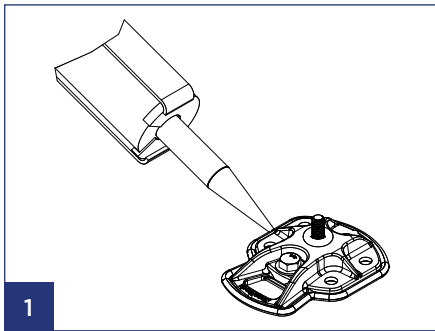
## Materials Included

- OmniShield
- ChemLink M-1 Roof Sealant

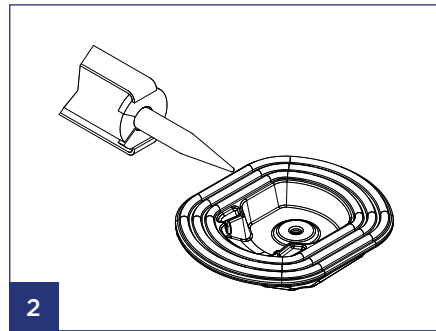
## Required Tools

- Caulking gun
- Channel Lock Pliers

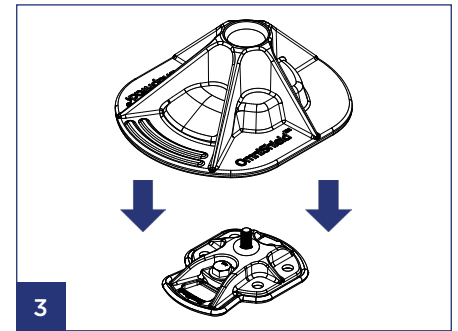
## Installation Instructions



1 Apply a 1/4" bead of ChemLink M-1 roofing sealant to base of 5/16" threaded stud and to the entire perimeter of OmniBase.



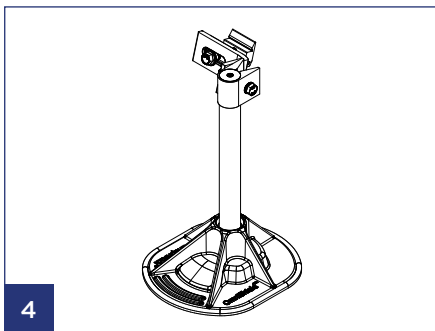
2 Apply a 1/4" bead of ChemLink M-1 roof sealant into all 3 of the grooves on the underside of OmniShield. Sealant should be applied as raised beads approximately 1/8" higher than the underside surface of OmniShield.



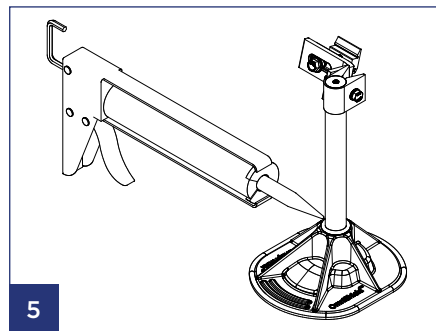
3 Install OmniShield on to roof over the OmniBase, pressing firmly onto roof until sealant can be seen around the base of the OmniShield.

### ⚠ Install Note

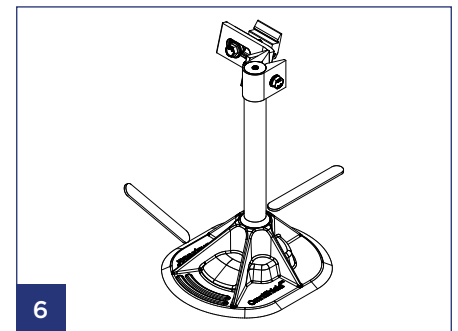
If roof sealant is not visible around perimeter of OmniShield, lift the OmniShield off of roof, apply more sealant then reapply to roof.



4 Install Tilt Standoff through the opening in the OmniShield and thread on to the 5/16" stud on the OmniBase.



5 Apply a bead of roof sealant around the top opening of the OmniShield at Standoff penetration.



6 Smooth out the excess roof sealant at the base of the OmniShield and at the top opening.

### ⚠ Install Note

Standoff shafts need to be tightened to base using channel lock pliers