

SNAPNRACK ULTRA RAIL FLAT TILE HOOK FOR MOUNTING TO FLAT TILE ROOFS

REFER TO SNAPNRACK ENGINEERING CHARTS FOR APPLICABLE RAIL SPANS. "BIN" NUMBER ON CHART SHOULD MATCH "BIN" NUMBER ON THIS DRAWING

$\frac{5}{16}$ " Ø S.S. LAG SCREW MUST EMBED A MIN. OF $2\frac{1}{2}$ " INTO STRUCTURAL MEMBER

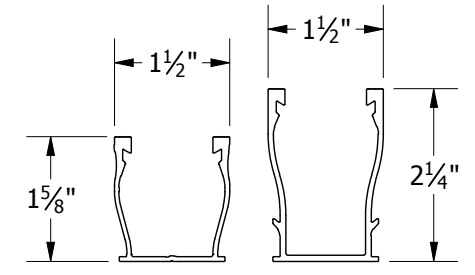
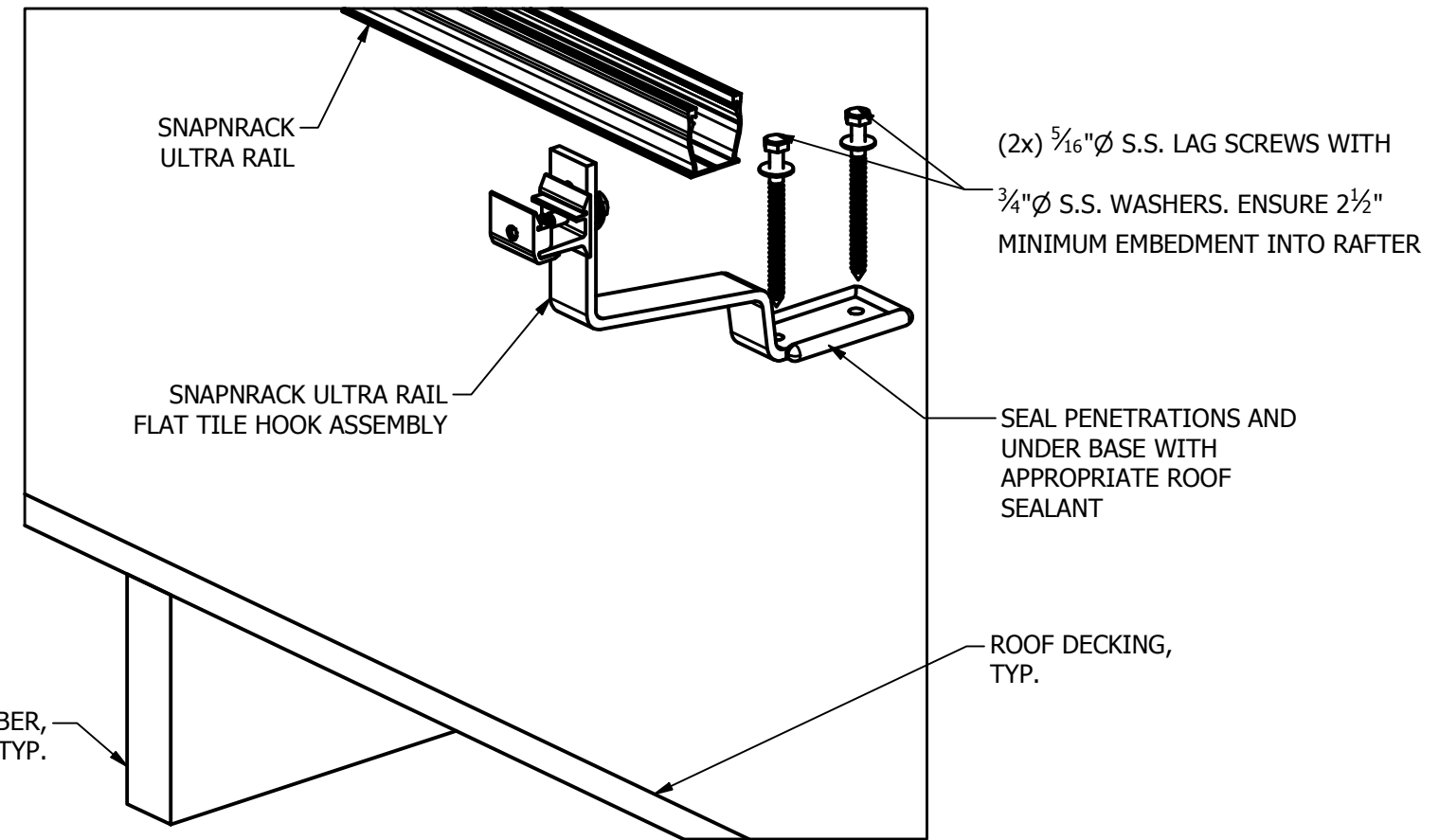
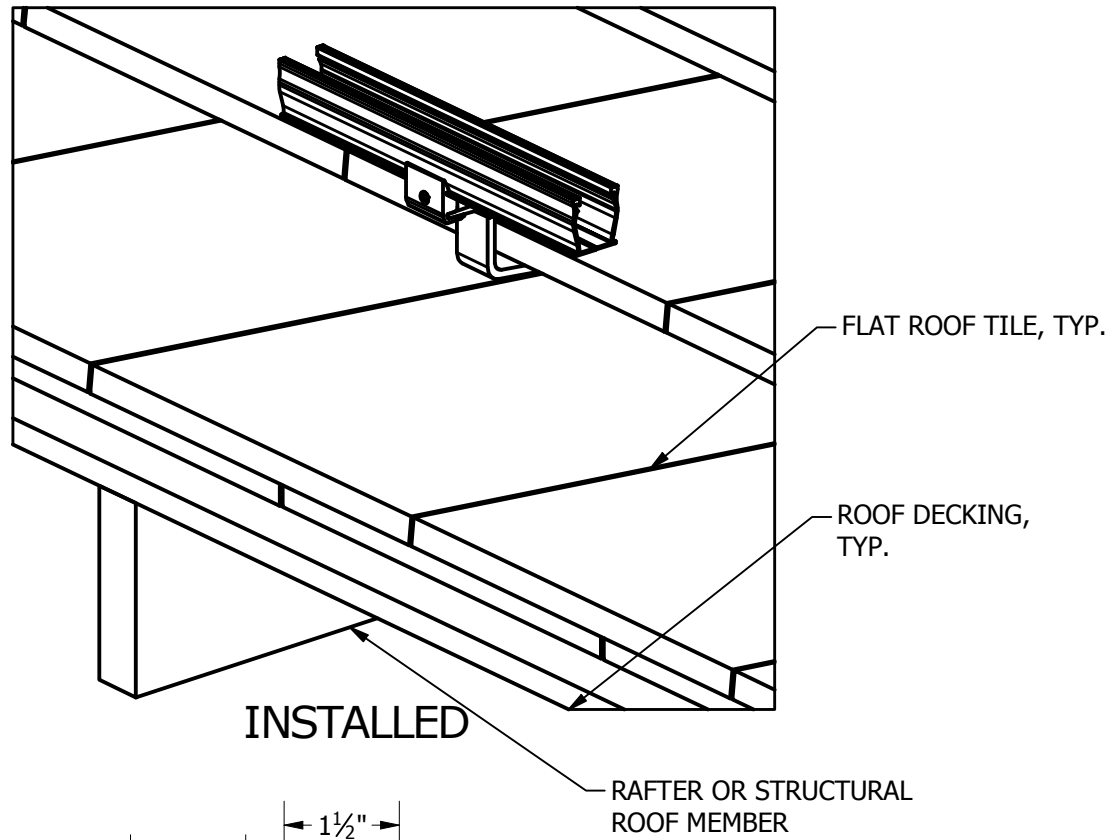
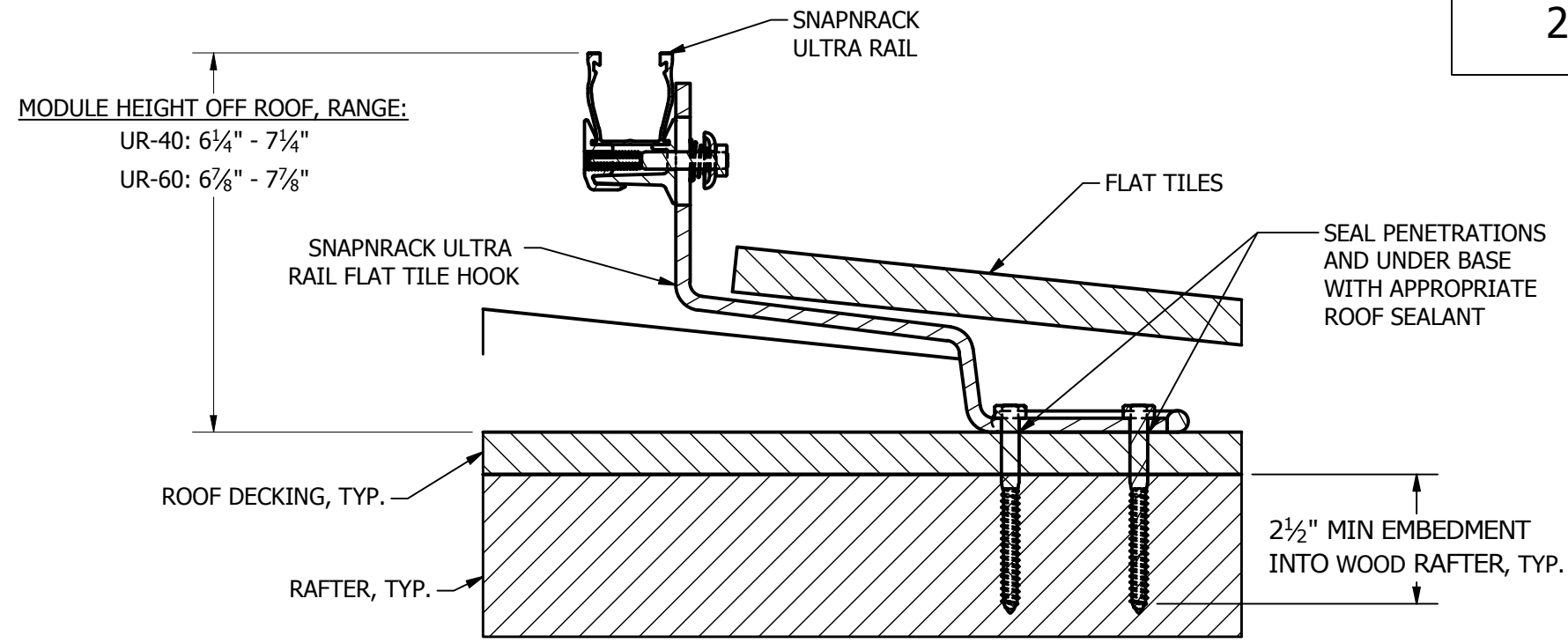
REFER TO SNAPNRACK INSTALLATION MANUAL FOR $\frac{5}{16}$ " Ø HARDWARE TORQUE SPECIFICATIONS

RAILS CAN MOUNT TO EITHER SIDE OF TILE HOOK (UPSLOPE VS. DOWNSLOPE)

RAILS CAN BE LEVELED UP TO $1\frac{1}{4}$ " USING THE SLOT IN THE TILE HOOK.

BIN: 2

REVISION:			
1	5/7/2019	NEW DETAIL	MJA
1	6/18/2019	DRO-00138	MJA



UR-40 RAIL | UR-60 RAIL
FOR USE WITH SNAPNRACK ULTRA SERIES RAILS



Sunrun South LLC
595 MARKET STREET, 29TH FLOOR • SAN FRANCISCO, CA 94105 USA
PHONE (415) 580-6900 • FAX (415) 580-6902
THE INFORMATION IN THIS DRAWING IS CONFIDENTIAL AND PROPRIETARY. ANY REPRODUCTION, DISCLOSURE, OR USE THEREOF IS PROHIBITED WITHOUT THE WRITTEN CONSENT OF SUNRUN SOUTH LLC.

DESIGNER: G.MCPHEETERS
DRAFTER: M.AFFENTRANGER
APPROVED BY: B.PETERSON

SCALE: DNS
DATE: 6/18/2019

DRAWING NUMBER: SNR-DC-00346

DESCRIPTION: ULTRA RAIL, ATTACHMENT DETAIL, ULTRA RAIL FLAT TILE HOOK TO RAFTER

REV: 1