

**SNAPNRACK ULTRA RAIL STANDARD STANDOFF ON 1-HOLE BASE FOR MOUNTING TO VARIOUS ROOF TYPES**

REFER TO SNAPNRACK ENGINEERING CHARTS FOR APPLICABLE RAIL SPANS. "BIN" NUMBER ON CHART SHOULD MATCH "BIN" NUMBER ON THIS DRAWING

5/16"Ø S.S. LAG SCREW MUST EMBED A MIN. OF 2 1/2" INTO STRUCTURAL MEMBER

REFER TO SNAPNRACK INSTALLATION MANUAL FOR 5/16"Ø HARDWARE TORQUE SPECIFICATIONS

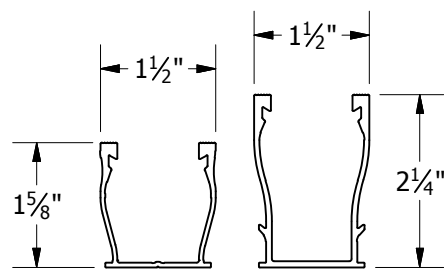
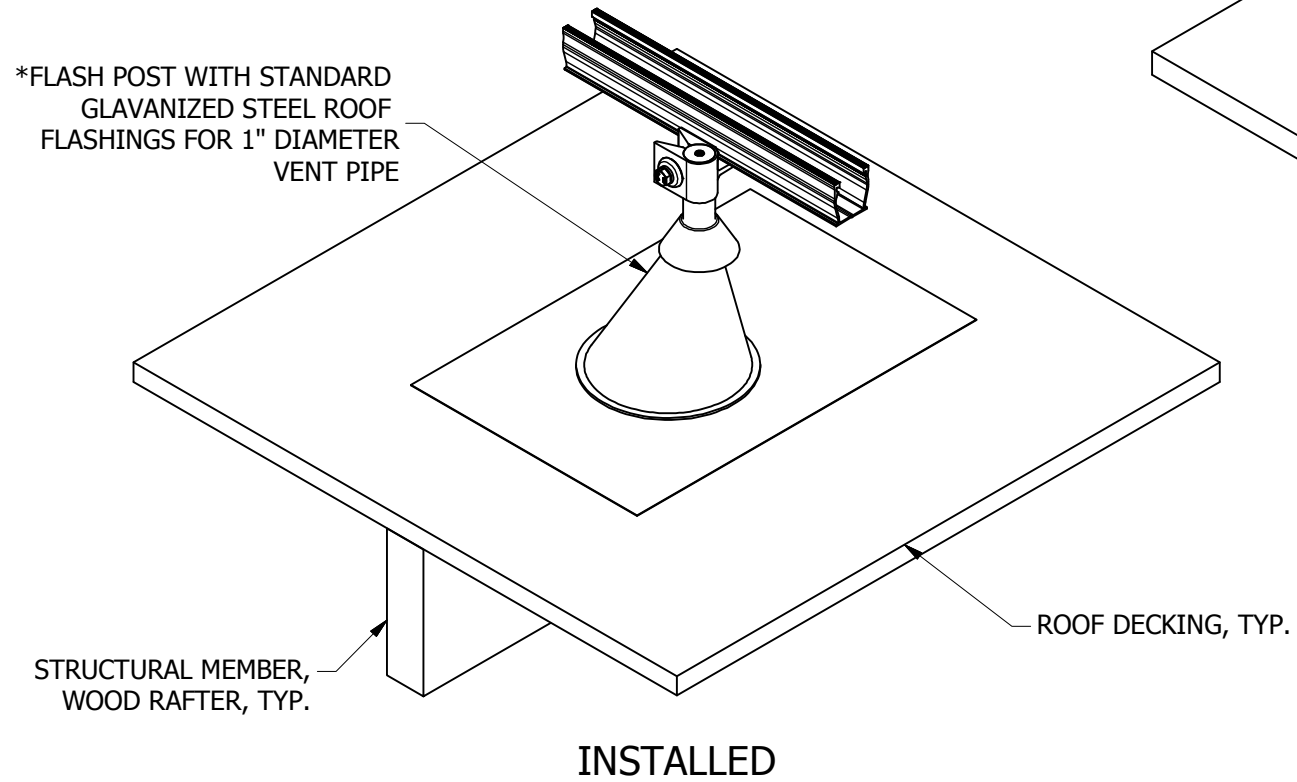
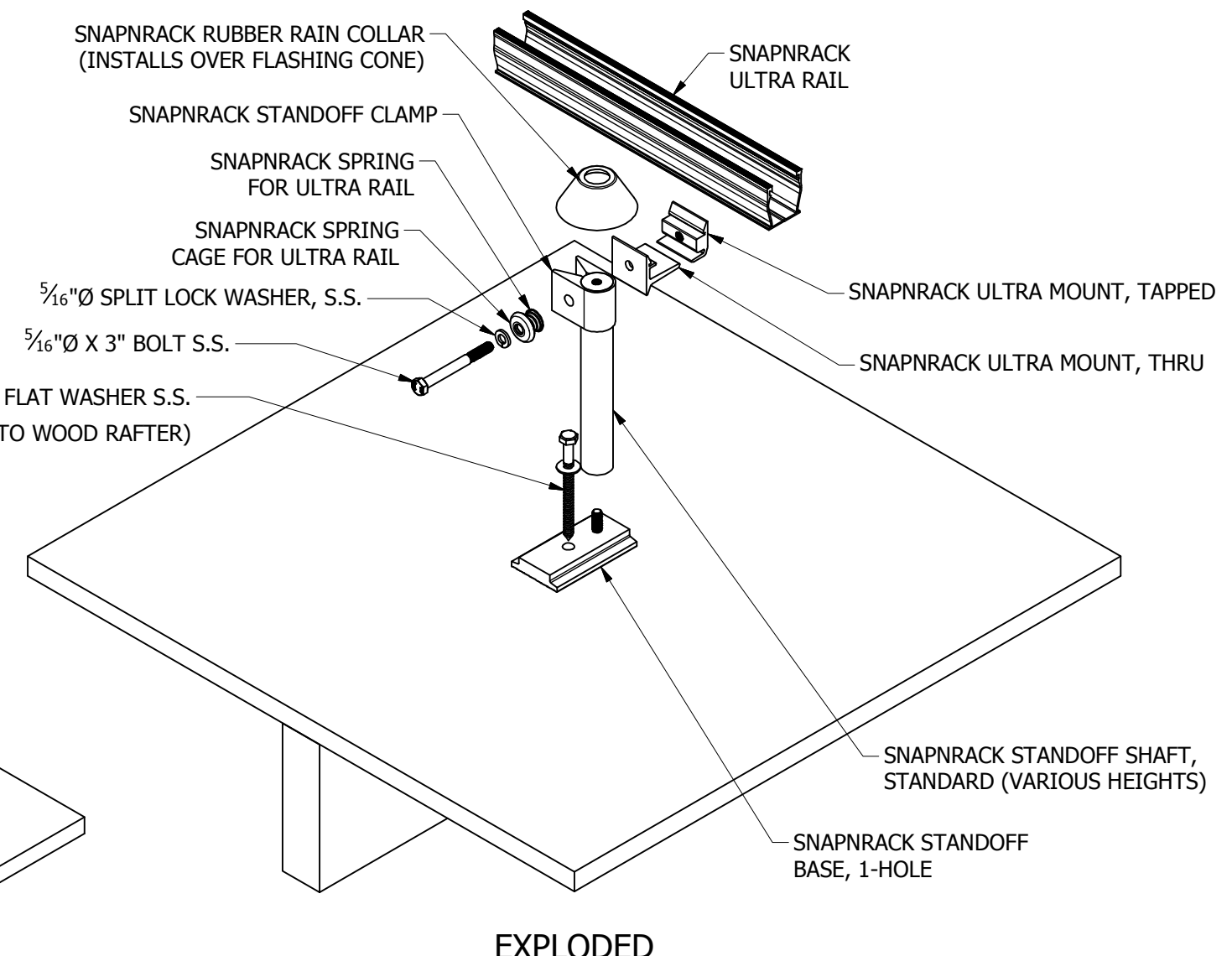
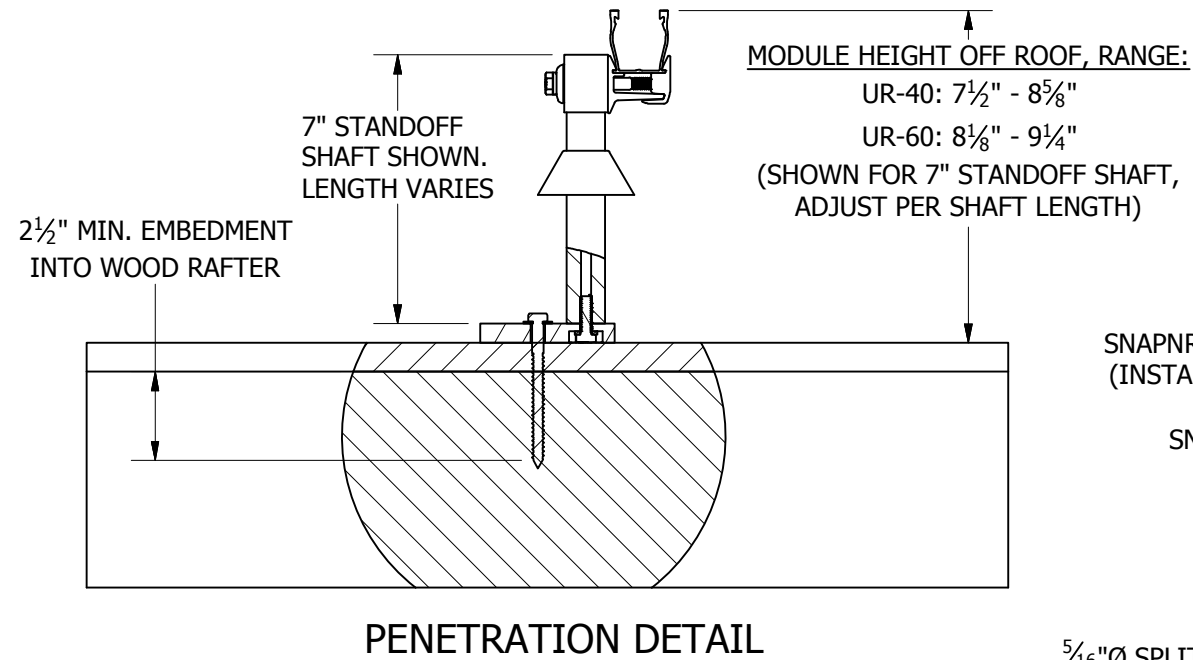
RAILS CAN MOUNT UPSLOPE OR DOWNSLOPE OF THE STANDOFF SHAFT

FOR LEVELING DETAILS, REFER TO SNAPNRACK DETAIL DRAWING "SNR-DC-00334 ULTRA RAIL, COMPONENT DETAIL, LEVELING SPACER ON STANDOFF"

\*A Poured sealant-style flashing may be used with SnapNrack standoffs as an alternative to cone flashings when installed per the manufacturer's specifications on low-slope roof surfaces

BIN: 5

REVISION:			
1	5/7/2019	NEW DETAIL	MJA



**UR-40 RAIL | UR-60 RAIL**  
FOR USE WITH SNAPNRACK ULTRA SERIES RAILS

	Sunrun South LLC 595 MARKET STREET, 29TH FLOOR • SAN FRANCISCO, CA 94105 USA PHONE (415) 580-6900 • FAX (415) 580-6902 <small>THE INFORMATION IN THIS DRAWING IS CONFIDENTIAL AND PROPRIETARY. ANY REPRODUCTION, DISCLOSURE, OR USE THEREOF IS PROHIBITED WITHOUT THE WRITTEN CONSENT OF SUNRUN SOUTH LLC.</small>	DESIGNER: <u>G.MCPHEETERS</u>	SCALE: <u>DNS</u>	DRAWING NUMBER: <u>SNR-DC-00348</u>	DESCRIPTION: <u>ULTRA RAIL, ATTACHMENT DETAIL, 1-HOLE BASE WITH STANDOFF TO RAFTER</u>	REV: <u>1</u>
		DRAFTER: <u>M.AFFENTRANGER</u>	DATE: <u>5/7/2019</u>	APPROVED BY: <u>B.PETERSON</u>		