

SNAPNRACK ULTRA RAIL HD STANDOFF ON 6-HOLE BASE FOR MOUNTING TO VARIOUS ROOF TYPES

REFER TO SNAPNRACK ENGINEERING CHARTS FOR APPLICABLE RAIL SPANS. "BIN" NUMBER ON CHART SHOULD MATCH "BIN" NUMBER ON THIS DRAWING

5/16"Ø S.S. LAG SCREW MUST EMBED A MIN. OF 2 1/2" INTO STRUCTURAL MEMBER

REFER TO SNAPNRACK INSTALLATION MANUAL FOR 5/16"Ø HARDWARE TORQUE SPECIFICATIONS

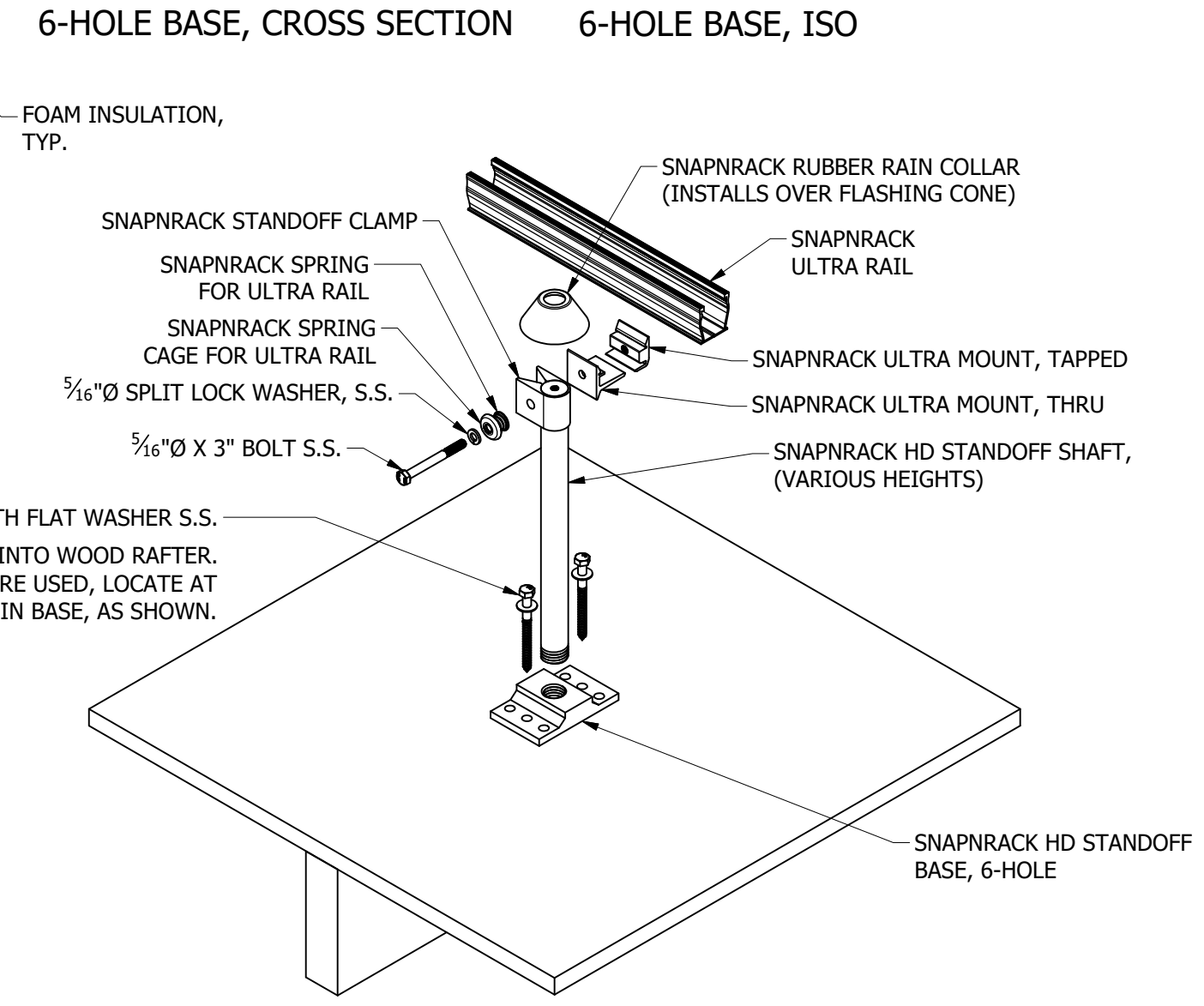
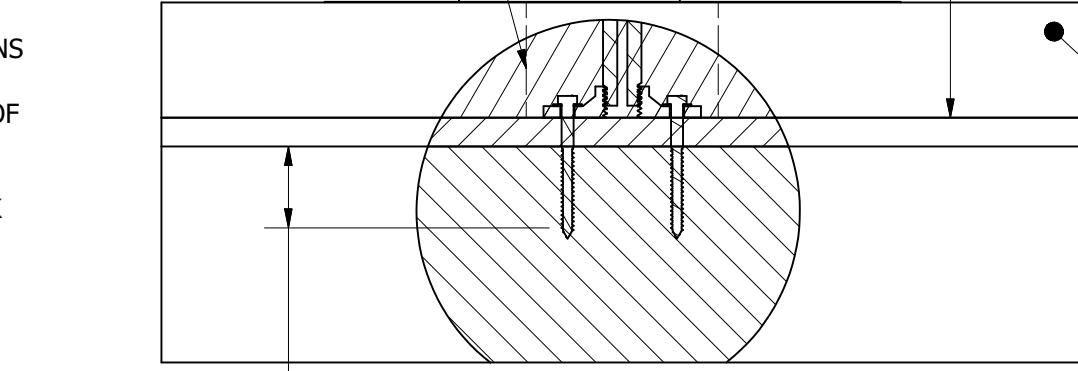
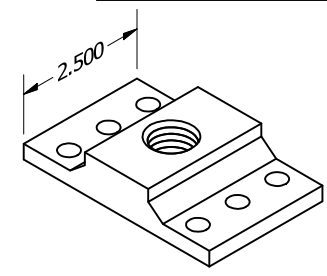
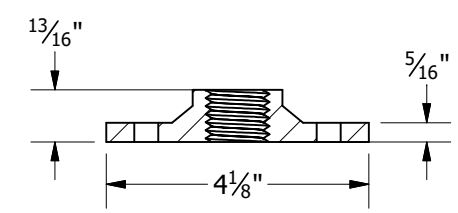
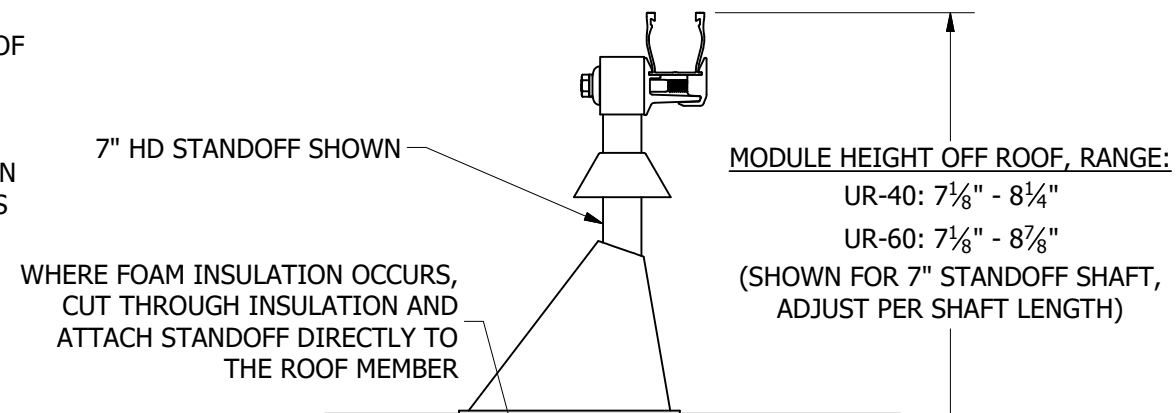
RAILS CAN MOUNT UPSLOPE OR DOWNSLOPE OF THE STANDOFF SHAFT

FOR LEVELING DETAILS, REFER TO SNAPNRACK DETAIL DRAWING "SNR-DC-00334 ULTRA RAIL, COMPONENT DETAIL, LEVELING SPACER ON STANDOFF"

*A Poured sealant-style flashing may be used with SnapNrack standoffs as an alternative to cone flashings when installed per the manufacturer's specifications on low-slope roof surfaces

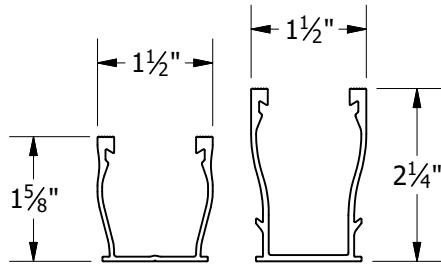
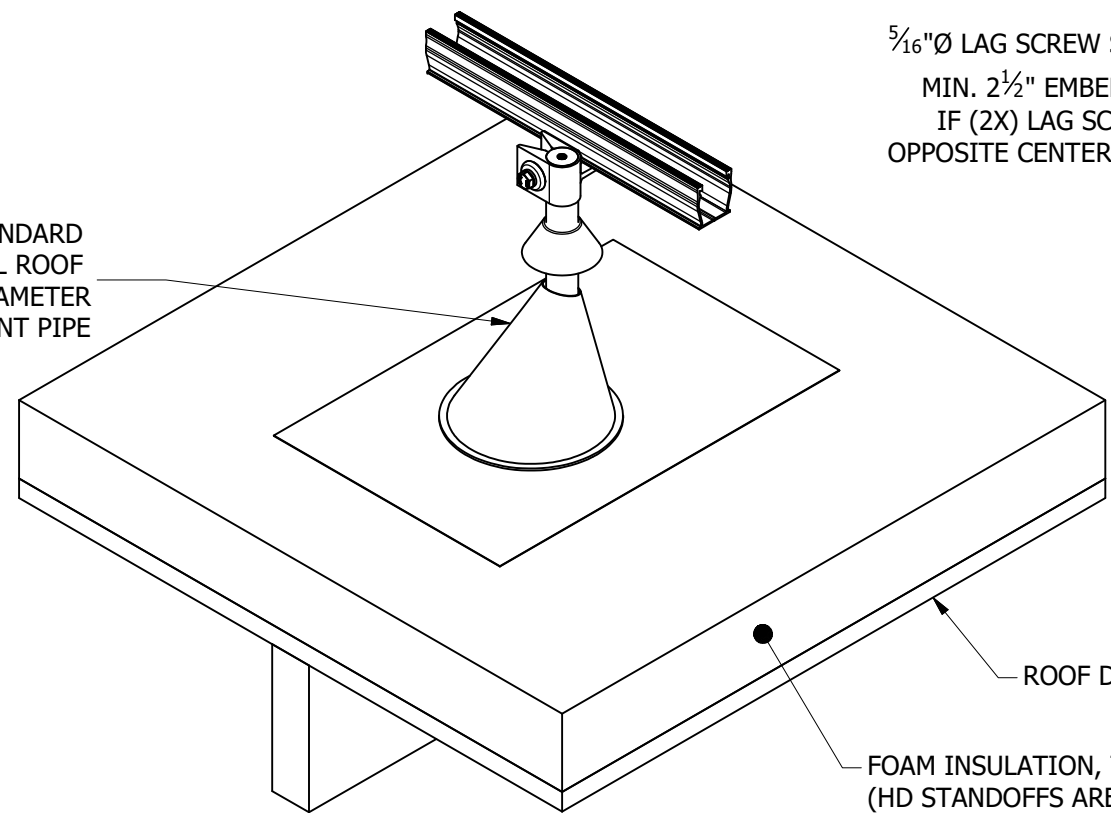
BIN: 5

REVISION:			
1	5/7/2019	NEW DETAIL	MJA
2	10/12/2020	DIM EDITS	MKW



5/16"Ø LAG SCREW S.S. WITH FLAT WASHER S.S.
MIN. 2 1/2" EMBEDMENT INTO WOOD RAFTER.
IF (2X) LAG SCREWS ARE USED, LOCATE AT OPPOSITE CENTER HOLES IN BASE, AS SHOWN.

*FLASH POST WITH STANDARD GLAVANIZED STEEL ROOF FLASHINGS FOR 1" DIAMETER VENT PIPE



FOR USE WITH SNAPNRACK ULTRA SERIES RAILS



Sunrun South LLC
595 MARKET STREET, 29TH FLOOR • SAN FRANCISCO, CA 94105 USA
PHONE (415) 580-6900 • FAX (415) 580-6902
THE INFORMATION IN THIS DRAWING IS CONFIDENTIAL AND PROPRIETARY. ANY REPRODUCTION, DISCLOSURE, OR USE THEREOF IS PROHIBITED WITHOUT THE WRITTEN CONSENT OF SUNRUN SOUTH LLC.

DESIGNER: G.MCPHEETERS
DRAFTER: M.AFFENTRANGER
APPROVED BY: B.PETERSON

SCALE: DNS
DATE: 10/12/2020

DRAWING NUMBER: SNR-DC-00351

DESCRIPTION: ULTRA RAIL, ATTACHMENT DETAIL, 6-HOLE BASE WITH HD STANDOFF TO RAFTER

REV: 2