

**SNAPNRACK ULTRA RAIL HD STANDOFF ON 6-HOLE BASE FOR MOUNTING TO WOOD DECK**

REFER TO SNAPNRACK ENGINEERING CHARTS FOR APPLICABLE RAIL SPANS

#14 S.S. WOOD SCREWS MUST EMBED FULLY INTO DECK

SPECIFIC GRAVITY OF THE ROOF DECKING MUST BE 0.45 OR GREATER

REFER TO SNAPNRACK INSTALLATION MANUAL FOR 5/16"Ø RACKING HARDWARE TORQUE SPECIFICATIONS

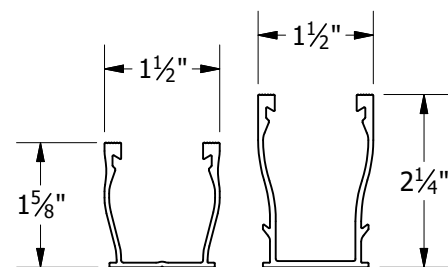
RAILS CAN MOUNT UPSLOPE OR DOWNSLOPE OF THE STANDOFF SHAFT

FOR LEVELING DETAILS, REFER TO SNAPNRACK DETAIL DRAWING "SNR-DC-00334 ULTRA RAIL, COMPONENT DETAIL, LEVELING SPACER ON STANDOFF" OR "SNR-DC-00447 ULTRA RAIL, COMPONENT DETAIL, ULTRA RAIL LEVELING SPACER"

\*A Poured sealant-style flashing may be used with SnapNrack standoffs as an alternative to cone flashings when installed per the manufacturer's specifications on low-slope roof surfaces

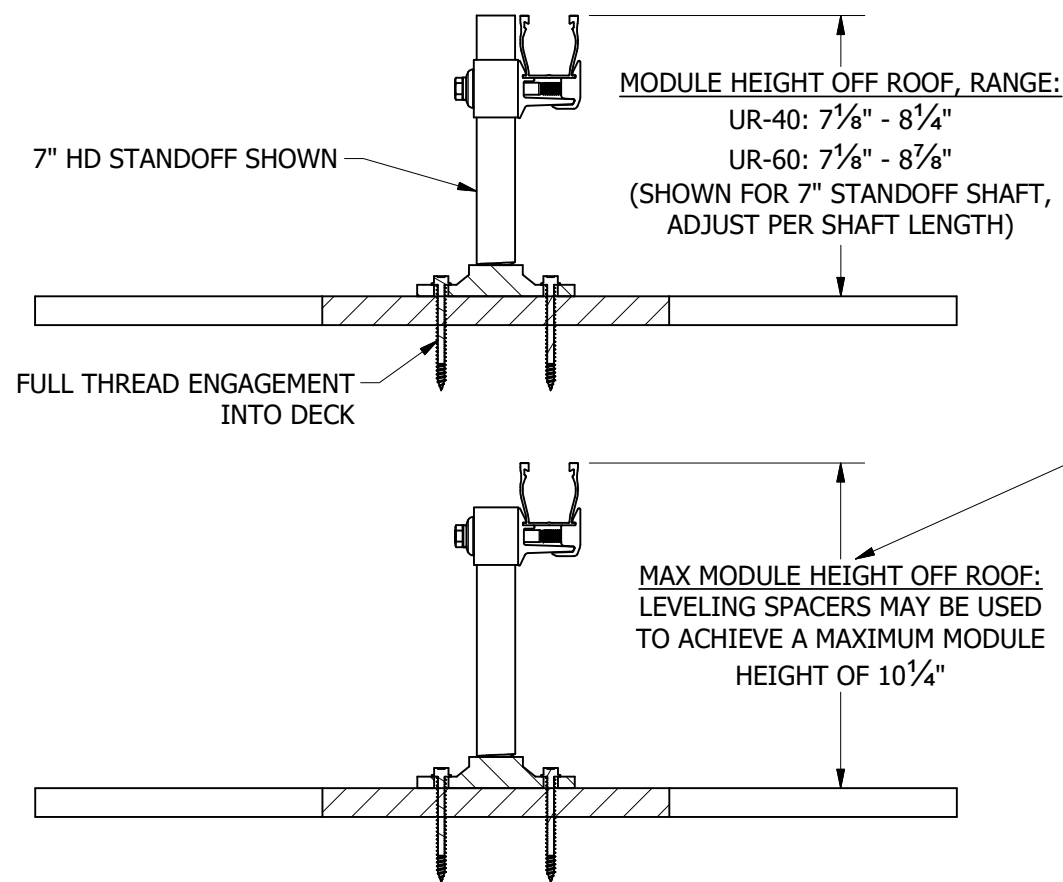
COVER FLASHING WITH SNAPNRACK RAIN COLLAR AND SEAL WITH AN APPROPRIATE ADHESIVE ROOF SEALANT

\*FLASH POST APPROPRIATELY



**UR-40 RAIL | UR-60 RAIL**

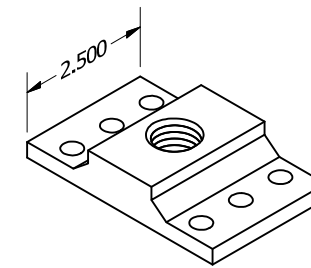
FOR USE WITH SNAPNRACK ULTRA SERIES RAILS



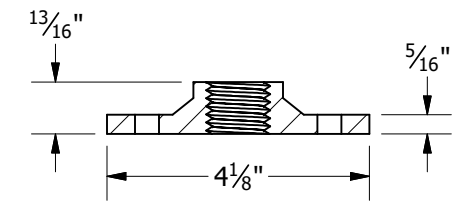
**MODULE HEIGHT OFF ROOF, RANGE:**  
 UR-40: 7 1/8" - 8 1/4"  
 UR-60: 7 1/8" - 8 7/8"  
 (SHOWN FOR 7" STANDOFF SHAFT, ADJUST PER SHAFT LENGTH)

FULL THREAD ENGAGEMENT INTO DECK

**MAX MODULE HEIGHT OFF ROOF:**  
 LEVELING SPACERS MAY BE USED TO ACHIEVE A MAXIMUM MODULE HEIGHT OF 10 1/4"

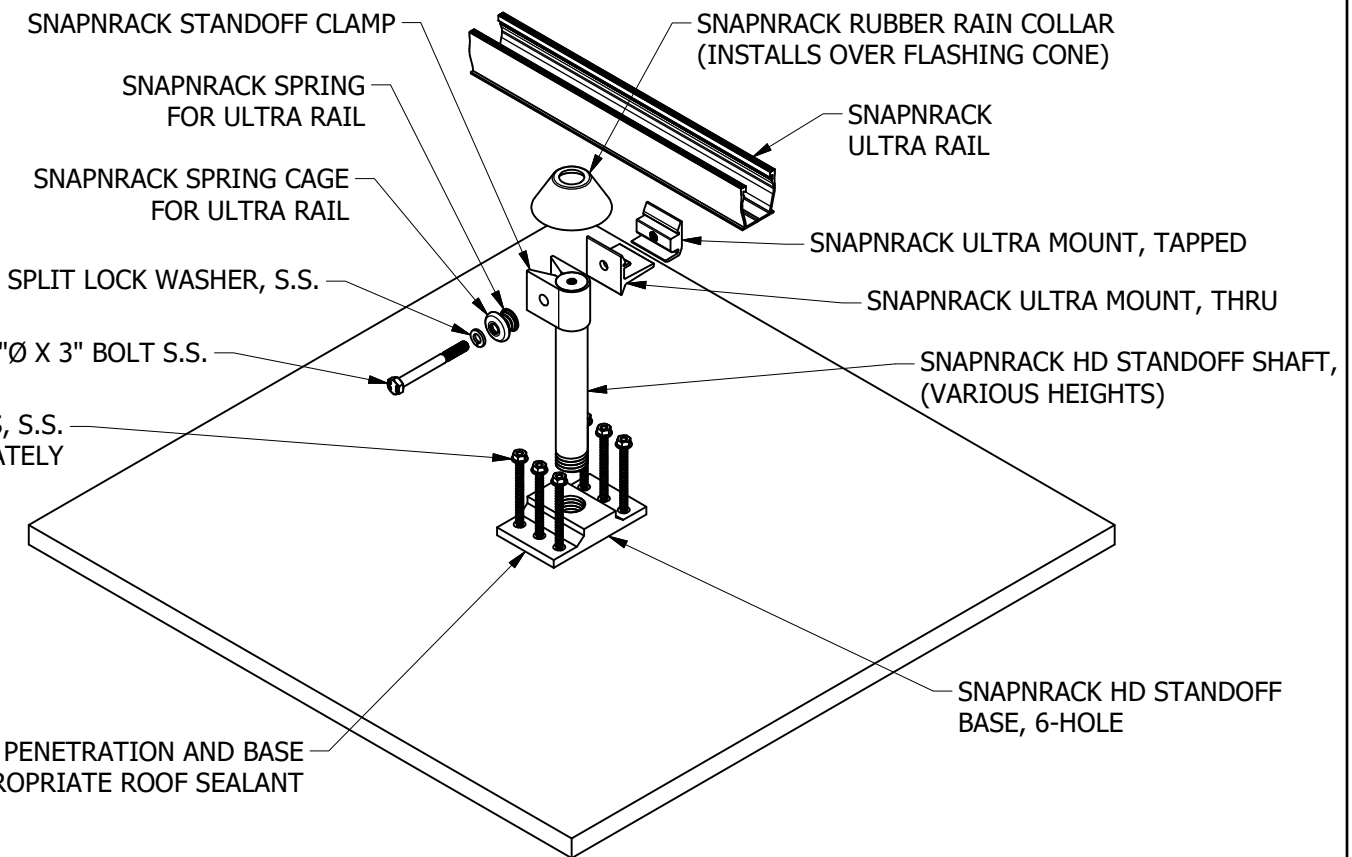


**6-HOLE BASE, ISO**

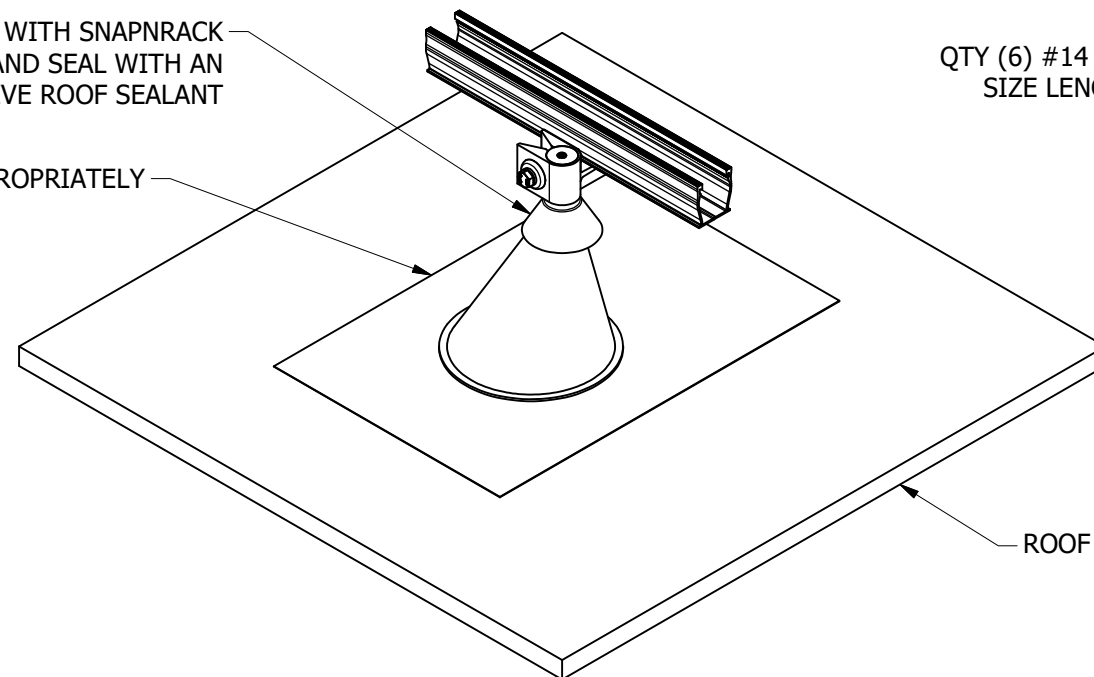


**6-HOLE BASE, CROSS SECTION**

**1" LEVELING SPACER**



**EXPLODED**



**INSTALLED**

ROOF DECKING, TYP.

SEAL PENETRATION AND BASE WITH APPROPRIATE ROOF SEALANT

QTY (6) #14 WOOD SCREWS, S.S. SIZE LENGTH APPROPRIATELY

BIN:

REVISION:	NEW DETAIL	MKW
1 10/12/2020		