

SNAPNRACK ULTRA RAIL TILE HOOKS FOR TILE ROOF MOUNTING ONTO WOOD DECKING

COMPATIBLE TILE ROOF PROFILES

- ADJUSTABLE TILE HOOK: S, W, AND FLAT
- TILE HOOK WS: W AND S

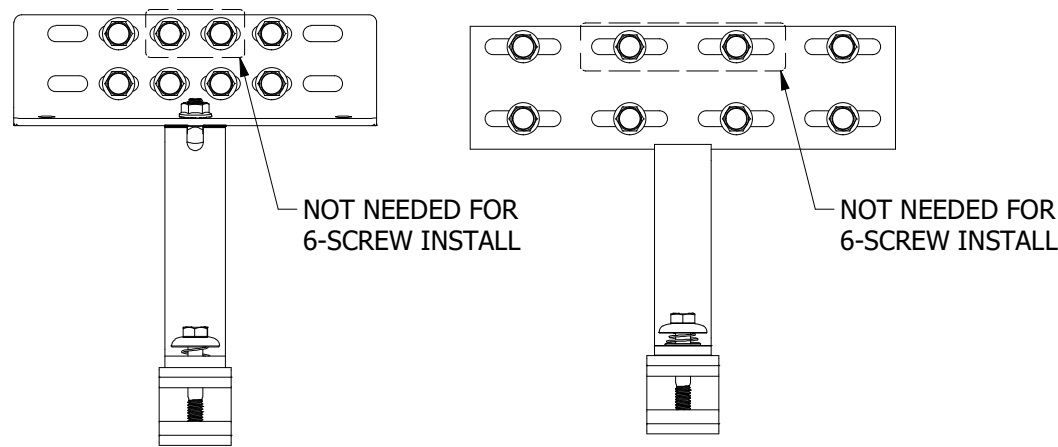
REFER TO SNAPNRACK INSTALLATION MANUAL FOR  $\frac{5}{16}$ "  $\varnothing$  HARDWARE TORQUE SPECIFICATIONS UNLESS STATED OTHERWISE

RAIL MAY BE MOUNTED TO THE UPSLOPE OR DOWNSLOPE SIDE OF THE TILE HOOK

RAILS CAN BE LEVELED UP TO  $1\frac{1}{4}$ " USING THE SLOT IN THE TILE HOOK TILE HOOK ARM CAN BE LEVELED  $\frac{7}{16}$ " RELATIVE TO THE BASE

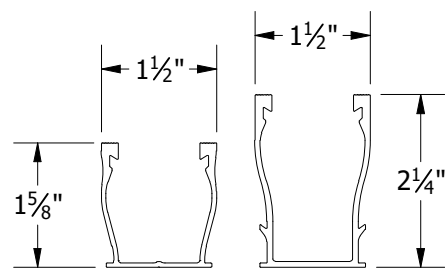
FOR ADDITIONAL LEVELING DETAILS, REFER TO SNAPNRACK DETAIL DRAWING "SNR-DC-00447 ULTRA RAIL, COMPONENT DETAIL, ULTRA RAIL LEVELING SPACER"

**DRAWING APPLICABLE TO ADJUSTABLE TILE HOOK AND TILE HOOK WS, SEE BELOW FOR APPROVED SCREW LOCATIONS (8-SCREW INSTALL SHOWN):**



ADJUSTABLE TILE HOOK

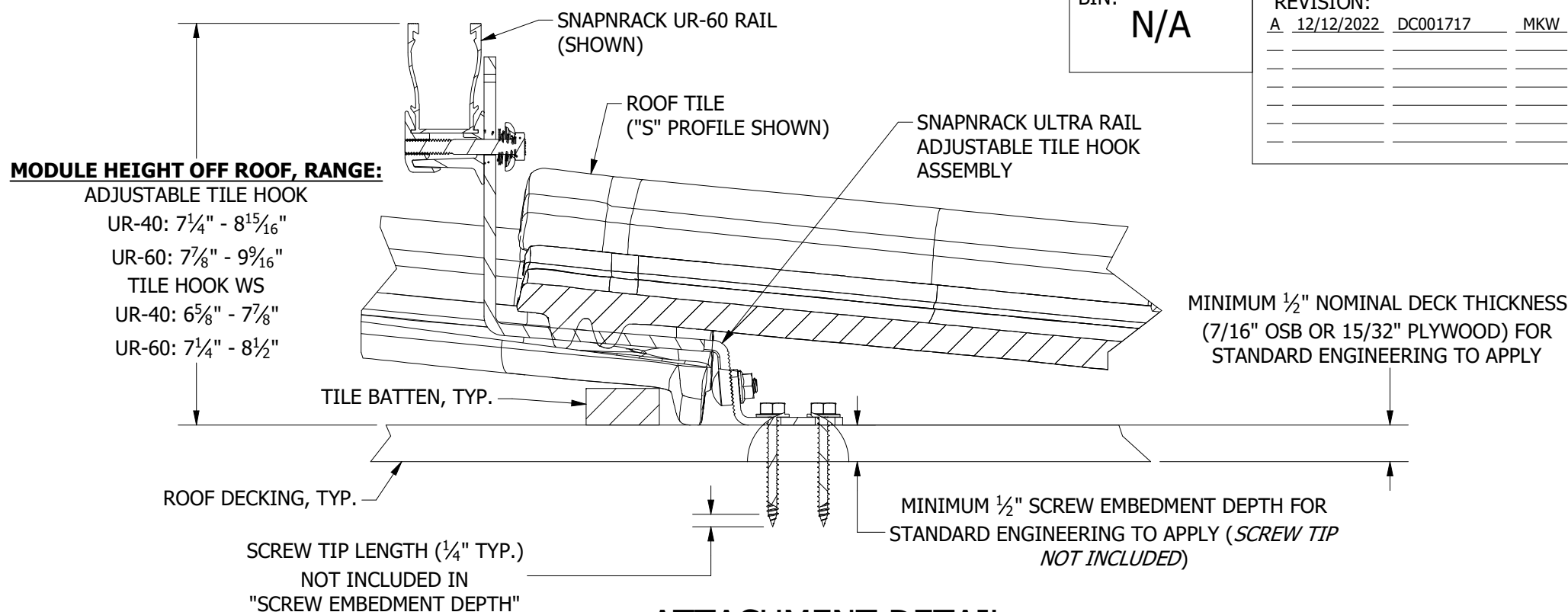
TILE HOOK WS



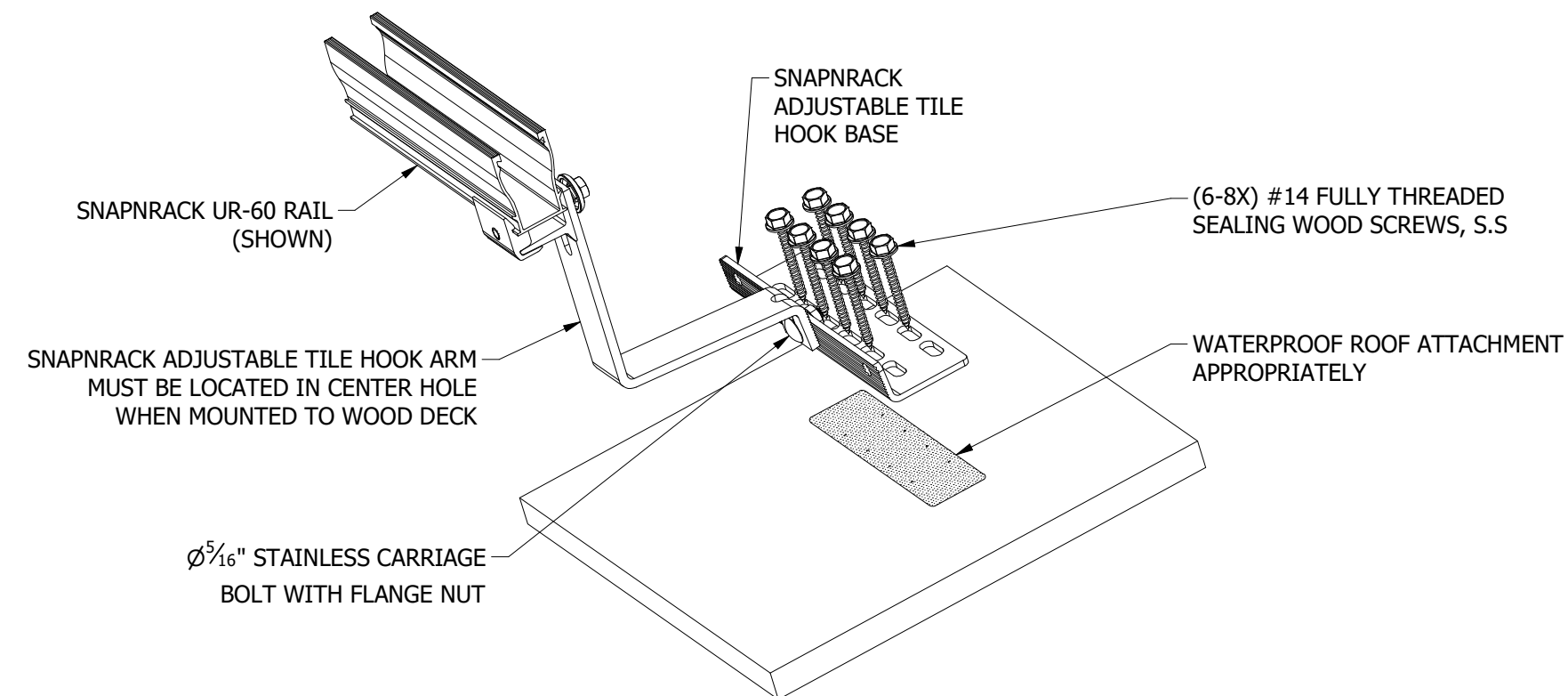
UR-40 RAIL | UR-60 RAIL  
FOR USE WITH SNAPNRACK ULTRA SERIES RAILS

BIN: N/A

REVISION:		
A	12/12/2022	DC001717 MKW



ATTACHMENT DETAIL  
(ADJUSTABLE TILE HOOK SHOWN)



INSTALLED ASSEMBLY  
(ADJUSTABLE TILE HOOK SHOWN)

	Sunrun South LLC 595 MARKET STREET, 29TH FLOOR • SAN FRANCISCO, CA 94105 USA PHONE (415) 580-6900 • FAX (415) 580-6902 <small>THE INFORMATION IN THIS DRAWING IS CONFIDENTIAL AND PROPRIETARY. ANY REPRODUCTION, DISCLOSURE, OR USE THEREOF IS PROHIBITED WITHOUT THE WRITTEN CONSENT OF SUNRUN SOUTH LLC.</small>	DESIGNER: <u>M.AFFENTRANGER</u>	SCALE: DNS	DRAWING NUMBER: SNR-DC-00457	DESCRIPTION: ULTRA RAIL, ATTACHMENT DETAIL, ULTRA RAIL TILE HOOKS TO WOOD DECK	REV: A
		DRAFTER: <u>M.WATKINS</u>	DATE: 12/12/2022	APPROVED BY: <u>M.AFFENTRANGER</u>		