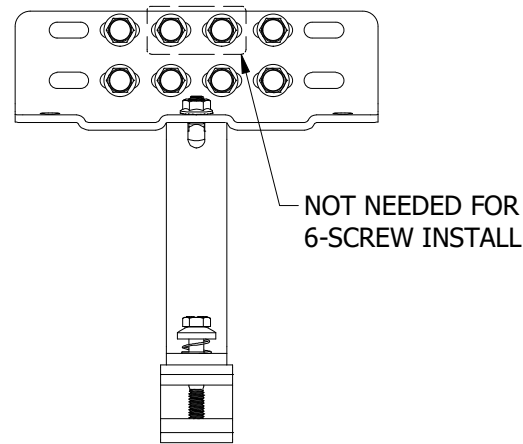


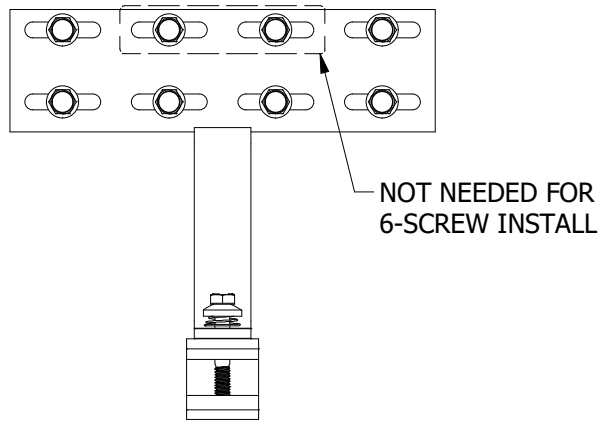
FOR SNAPNRACK ENGINEERING TO APPLY, THE EMBEDMENT CRITERIA SHOWN HEREIN MUST BE MET (IF CRITERIA CANNOT BE MET OR SPANS ARE NOT SUFFICIENT, CONTACT SNAPNRACK FOR SUPPORT).

REFER TO SNAPNRACK INSTALLATION MANUAL FOR $\frac{5}{16}$ "Ø HARDWARE TORQUE SPECIFICATIONS. REFER TO MANUFACTURER SPECIFICATIONS FOR OTHER FASTENER TORQUE REQUIREMENTS.

DRAWING APPLICABLE TO ADJUSTABLE TILE HOOK AND TILE HOOK WS, SEE BELOW FOR APPROVED SCREW LOCATIONS (8-SCREW INSTALL SHOWN):



ADJUSTABLE TILE HOOK



TILE HOOK WS

MODULE HEIGHT OFF ROOF, RANGE:
ADJUSTABLE TILE HOOK

UR-40: $7\frac{1}{4}$ " - $8\frac{15}{16}$ "

UR-45: $7\frac{3}{8}$ " - $9\frac{1}{16}$ "

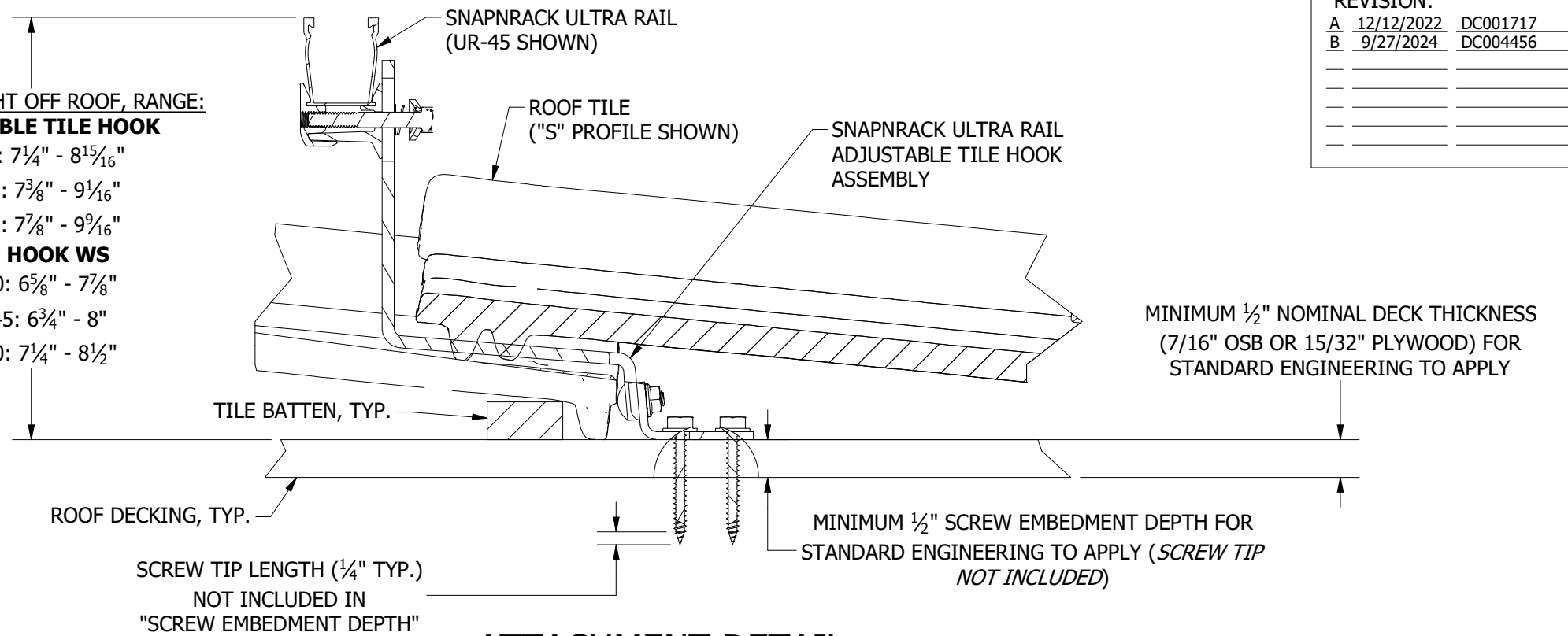
UR-60: $7\frac{7}{8}$ " - $9\frac{9}{16}$ "

TILE HOOK WS

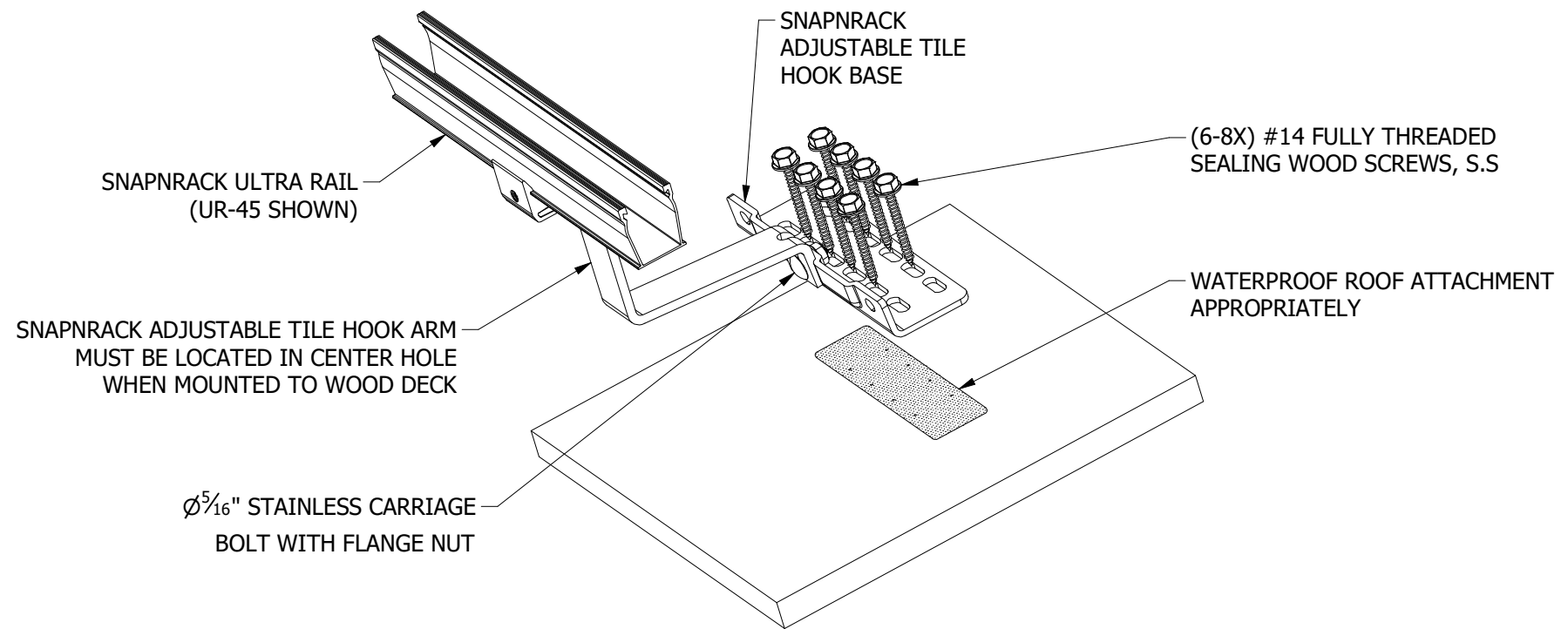
UR-40: $6\frac{5}{8}$ " - $7\frac{7}{8}$ "

UR-45: $6\frac{3}{4}$ " - 8"

UR-60: $7\frac{1}{4}$ " - $8\frac{1}{2}$ "



**ATTACHMENT DETAIL
(ADJUSTABLE TILE HOOK SHOWN)**



**INSTALLED ASSEMBLY
(ADJUSTABLE TILE HOOK SHOWN)**

REVISION:		
A	12/12/2022	DC001717 MKW
B	9/27/2024	DC004456 MKW



SNR SOLAR LLC

775 FIERO LANE, SUITE 200
SAN LUIS OBISPO, CA 93401 USA
EMAIL: CONTACT@SNAPNRACK.COM

THE INFORMATION IN THIS DRAWING IS CONFIDENTIAL AND PROPRIETARY. ANY REPRODUCTION, DISCLOSURE, OR USE THEREOF IS PROHIBITED WITHOUT THE WRITTEN CONSENT OF SNR SOLAR LLC.

DESIGNER: M.AFFENTRANGER

DRAFTER: M.WATKINS

APPROVED BY: M.AFFENTRANGER

SCALE: DNS

DATE: 9/27/2024

DRAWING NUMBER:
SNR-DC-00457

DESCRIPTION: ULTRA RAIL, ATTACHMENT DETAIL, ULTRA RAIL TILE HOOKS TO WOOD DECK

REV: **B**