

SNAPNRACK OMNISHIELD PROVIDES A CHEMICAL SEAL AROUND, AND STRUCTURAL RIGIDITY TO, THE OMNIBASE

REFER TO SNAPNRACK INSTALLATION MANUAL FOR  $\frac{5}{16}$ "Ø HARDWARE TORQUE SPECIFICATIONS

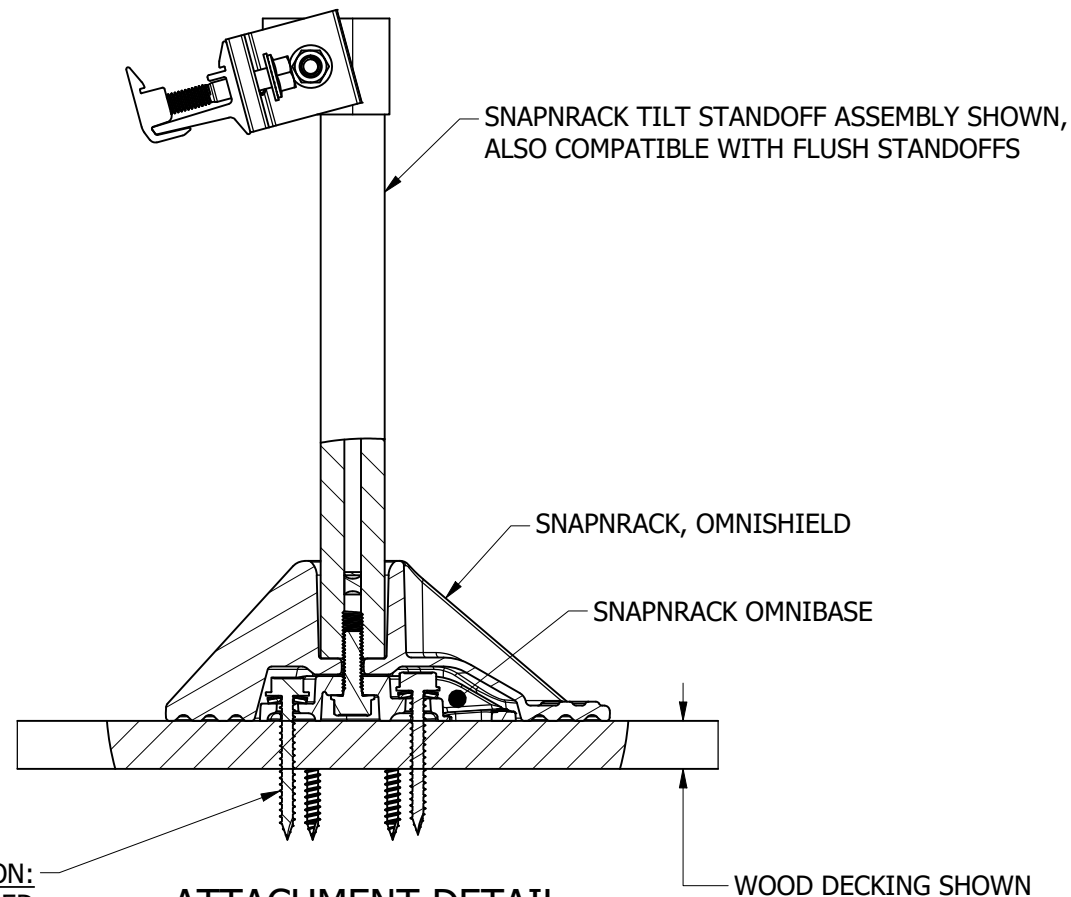
SNAPNRACK OMNISHIELD CAN MOUNT IN ANY ORIENTATION ON THE ROOF AND RAILS CAN MOUNT ON ANY SIDE OF THE STANDOFF POST

FOR ADDITIONAL LEVELING DETAILS, REFER TO SNAPNRACK DETAIL DRAWINGS SNR-DC-00334 AND SNR-DC-00447

\*REFER TO THE APPLICATION-BASED OMNIBASE ATTACHMENT DETAILS FOR FASTENER AND EMBEDMENT REQUIREMENTS

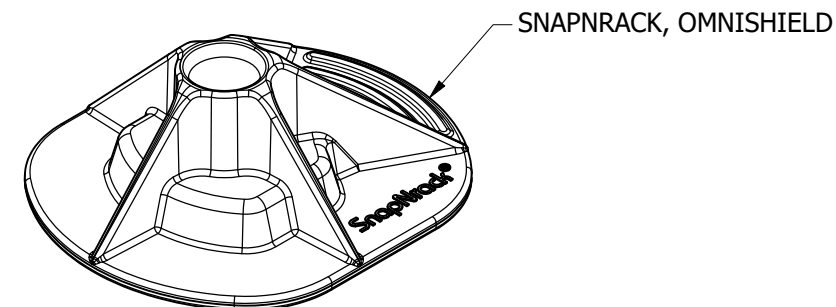
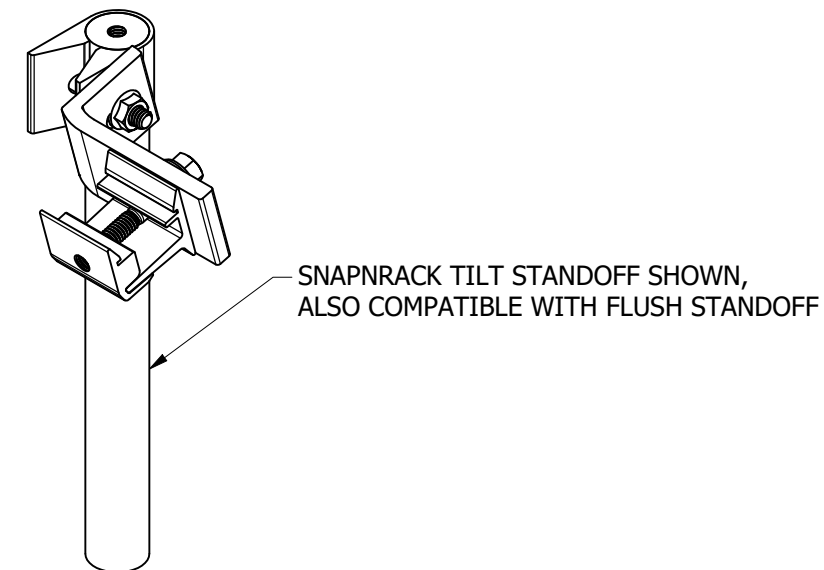
BIN: N/A

REVISION:		
A	4/7/2023	DC002278 MJA

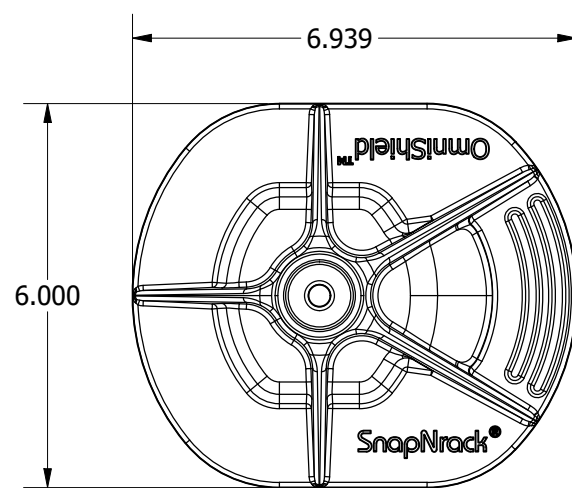


\*VARIES BY APPLICATION:  
(X6)#14 WOOD SCREWS, S.S. EMBEDDED INTO WOOD DECK, SHOWN. **IMPORTANT - OMNISHIELD REQUIRED WHEN DECK MOUNTING SNAPNRACK TILT-MOUNT KITS**

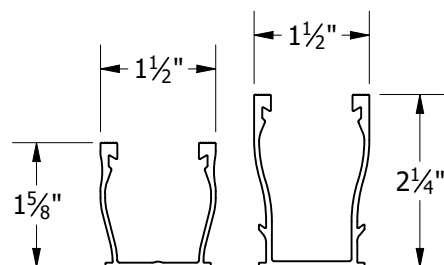
ATTACHMENT DETAIL (VARIES BY APPLICATION)



EXPLODED ASSEMBLY



OMNISHIELD, TOP



UR-40 RAIL | UR-60 RAIL FOR USE WITH SNAPNRACK ULTRA SERIES RAILS



Sunrun South LLC  
595 MARKET STREET, 29TH FLOOR • SAN FRANCISCO, CA 94105 USA  
PHONE (415) 580-6900 • FAX (415) 580-6902  
THE INFORMATION IN THIS DRAWING IS CONFIDENTIAL AND PROPRIETARY. ANY REPRODUCTION, DISCLOSURE, OR USE THEREOF IS PROHIBITED WITHOUT THE WRITTEN CONSENT OF SUNRUN SOUTH LLC.

DESIGNER: M.AFFENTRANGER  
DRAFTER: M.AFFENTRANGER  
APPROVED BY: E.FERGUSON

SCALE: DNS  
DATE: 4/7/2023

DRAWING NUMBER: SNR-DC-01255

DESCRIPTION: ULTRA RAIL, ATTACHMENT DETAIL, OMNISHIELD

REV: A