

DESCRIPTION:
SNAPNRACK, TDS, GROUNDING LUG

PART NUMBER(S):
242-92202

UNITS: IN, LB, DEG [MM, KG, DEG] SHEET: 1:1

DOC NUMBER:
 SNR-DC-01414

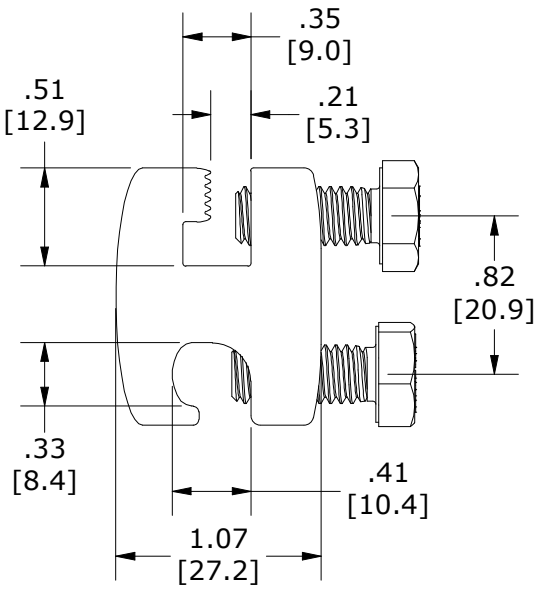
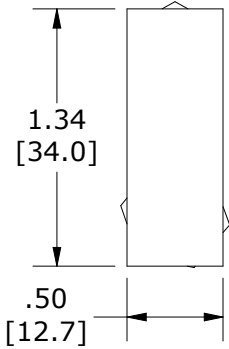
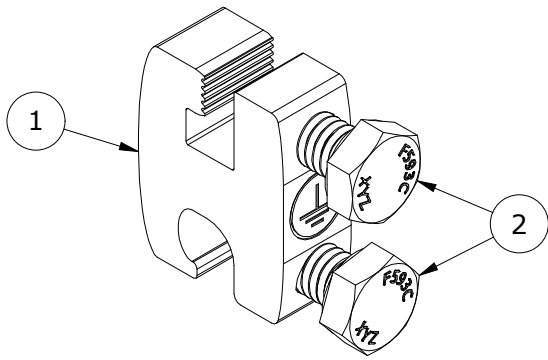
DRAWN BY:
 M.WATKINS

REV: **B** DATE: 2/28/2025

SnapNrack®

SNR SOLAR LLC
 775 FIERO LANE, SUITE 200
 SAN LUIS OBISPO, CA 93401 USA
 EMAIL: CONTACT@SNAPNRACK.COM

THE INFORMATION IN THIS DRAWING IS CONFIDENTIAL AND PROPRIETARY. ANY REPRODUCTION, DISCLOSURE, OR USE THEREOF IS PROHIBITED WITHOUT THE WRITTEN CONSENT OF SNR SOLAR LLC.



PARTS LIST		
ITEM	QTY	DESCRIPTION
1	1	SNAPNRACK, GROUNDING LUG PRC
2	2	BOLT, HEX CAP, 5/16IN-18 X 3/4IN, SS

MATERIALS:	TIN-PLATED ALUMINUM, STAINLESS STEEL
WIRE GAUGE (AWG):	6-10
WIRE TYPE:	SOLID COPPER
TORQUE SPECIFICATION:	8 FT-LBS
CERTIFICATION:	UL 467 & UL 2703, FILE E359313
WEIGHT (LBS):	0.1