

**SNAPRACK UR ANCHORFOOT FOR COMPOSTION ROOF MOUNTING ONTO WOOD DECKING AND RAFTERS**

REFER TO SNAPRACK ENGINEERING CHARTS FOR APPLICABLE RAIL SPANS. "BIN" NUMBER ON CHART SHOULD MATCH "BIN" NUMBER ON THIS DRAWING

FOR SNAPRACK ENGINEERING TO APPLY, THE FOLLOWING EMBEDMENT CRITERIA MUST BE MET:

- (X2) DECKANCHORS MUST EMBED A MIN. OF 1/2" INTO WOOD DECK
- (X4) #14 FULLY THREADED WOOD SCREWS, S.S. MUST EMBED A MIN. OF 1/2" INTO WOOD DECK
- (X2) #14 FULLY THREADED WOOD SCREWS, S.S. MUST EMBED A MIN. OF 1 1/4" INTO STRUCTURAL MEMBER
- (X1) 5/16"Ø S.S. LAG SCREW MUST EMBED A MIN. OF 2 1/2" INTO STRUCTURAL MEMBER

REFER TO SNAPRACK INSTALLATION MANUAL FOR 5/16"Ø HARDWARE TORQUE SPECIFICATIONS

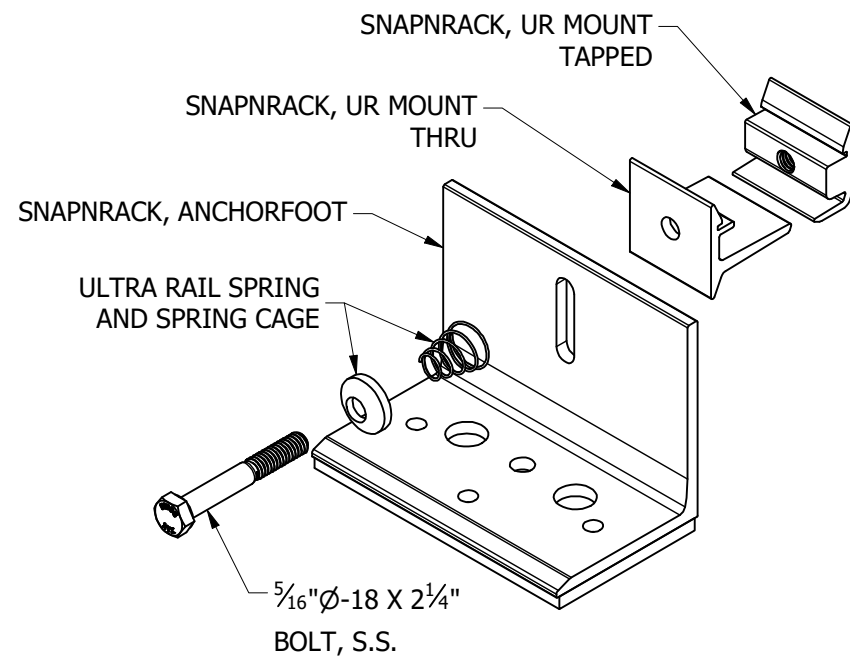
SNAPRACK ANCHORFOOT CAN MOUNT IN ANY ORIENTATION ON THE ROOF

RAIL CAN MOUNT ON BOTH SIDES OF ANCHORFOOT

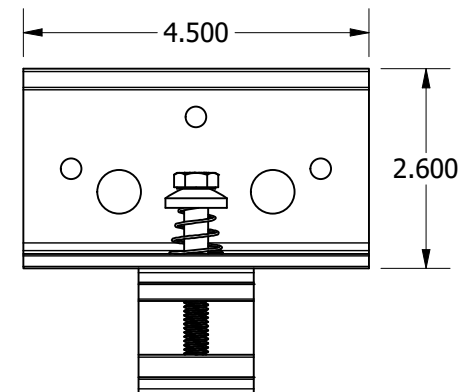
FOR ADDITIONAL LEVELING DETAILS, REFER TO SNAPRACK DETAIL DRAWING "SNR-DC-00447 ULTRA RAIL, COMPONENT DETAIL, ULTRA RAIL LEVELING SPACER"

BIN: N/A

|           |           |              |
|-----------|-----------|--------------|
| REVISION: |           |              |
| A         | 8/18/2023 | DC002245 MKW |
|           |           |              |
|           |           |              |
|           |           |              |
|           |           |              |

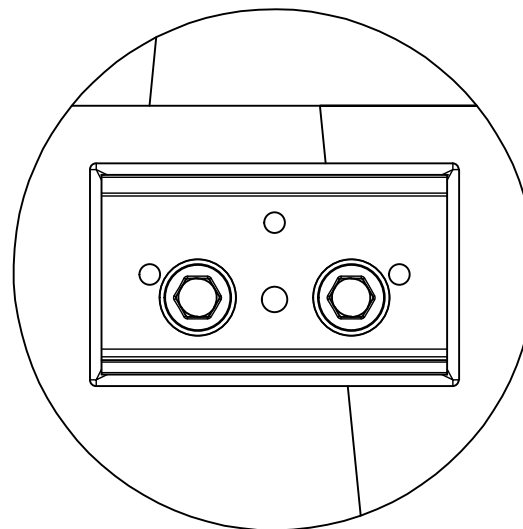


**EXPLODED**

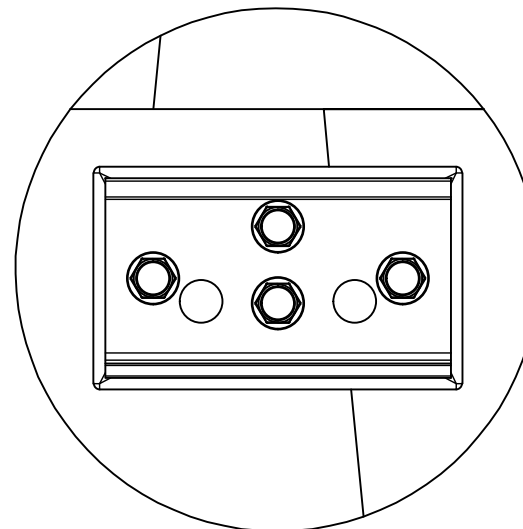


**TOP**

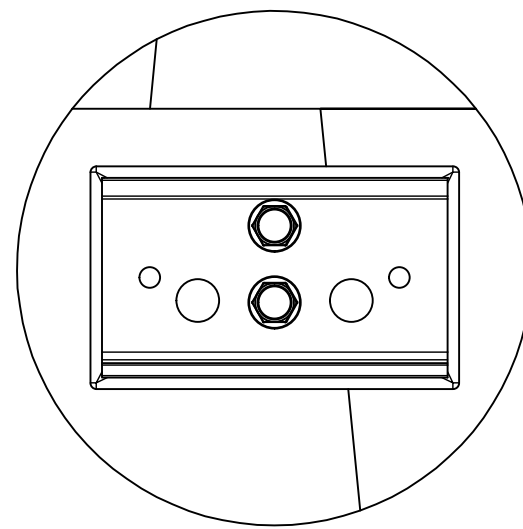
**FASTENER CONFIGURATIONS**



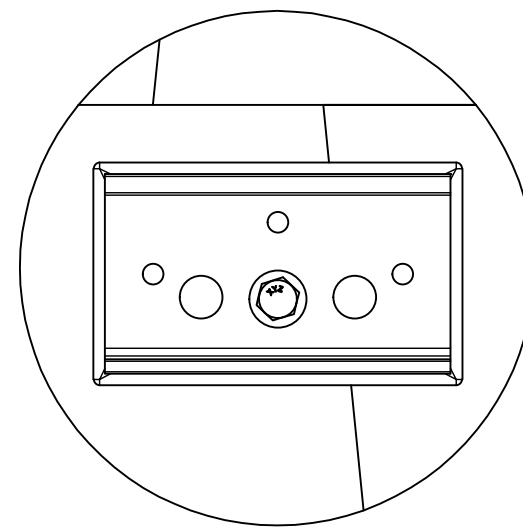
**(X2) DECKANCHORS INTO WOOD DECK**



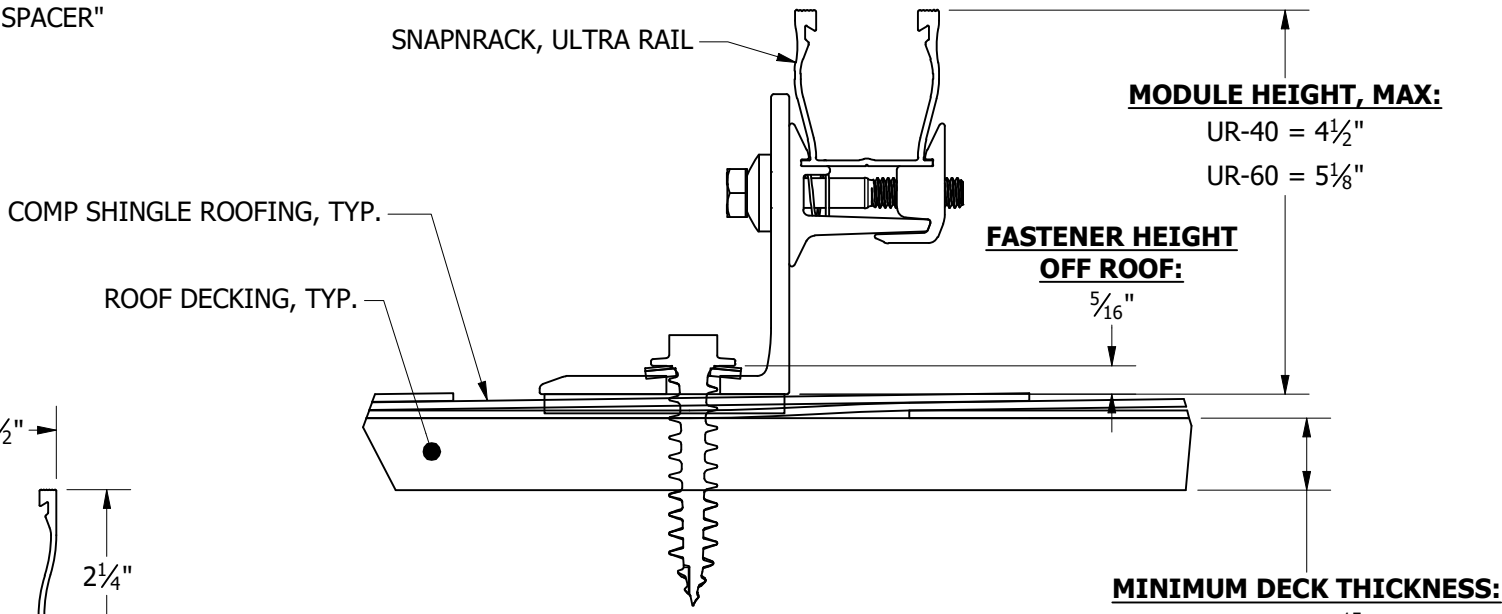
**(X4) WOOD SCREWS INTO WOOD DECK**



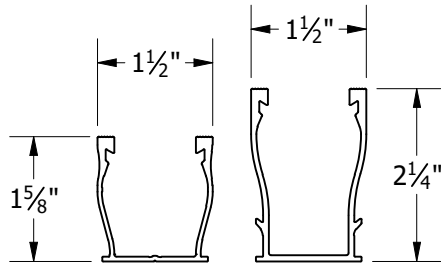
**(X2) WOOD SCREWS INTO WOOD RAFTER**



**(X1) LAG SCREW INTO WOOD RAFTER**



**ATTACHMENT DETAIL SECTION VIEW**



**UR-40 RAIL | UR-60 RAIL  
FOR USE WITH SNAPRACK ULTRA SERIES RAILS**



Sunrun South LLC  
595 MARKET STREET, 29TH FLOOR • SAN FRANCISCO, CA 94105 USA  
PHONE (415) 580-6900 • FAX (415) 580-6902  
THE INFORMATION IN THIS DRAWING IS CONFIDENTIAL AND PROPRIETARY. ANY REPRODUCTION, DISCLOSURE, OR USE THEREOF IS PROHIBITED WITHOUT THE WRITTEN CONSENT OF SUNRUN SOUTH LLC.

DESIGNER: M.AFFENTRANGER  
DRAFTER: M.WATKINS  
APPROVED BY: M.AFFENTRANGER

SCALE: DNS  
DATE: 8/18/2023

DRAWING NUMBER:  
SNR-DC-00458

DESCRIPTION: ULTRA RAIL, ATTACHMENT DETAIL, ANCHORFOOT

REV: **A**