

DESCRIPTION:
SNAPRACK & S-5!, TDS, UR MOUNTING CLAMP WITH PROTEABRACKET

DOC NUMBER:
 SNR-DC-01309

SnapNrack®

PART NUMBER(S):

242-10042

DRAWN BY:
 M.WATKINS

REV:

A

DATE:

6/9/2023

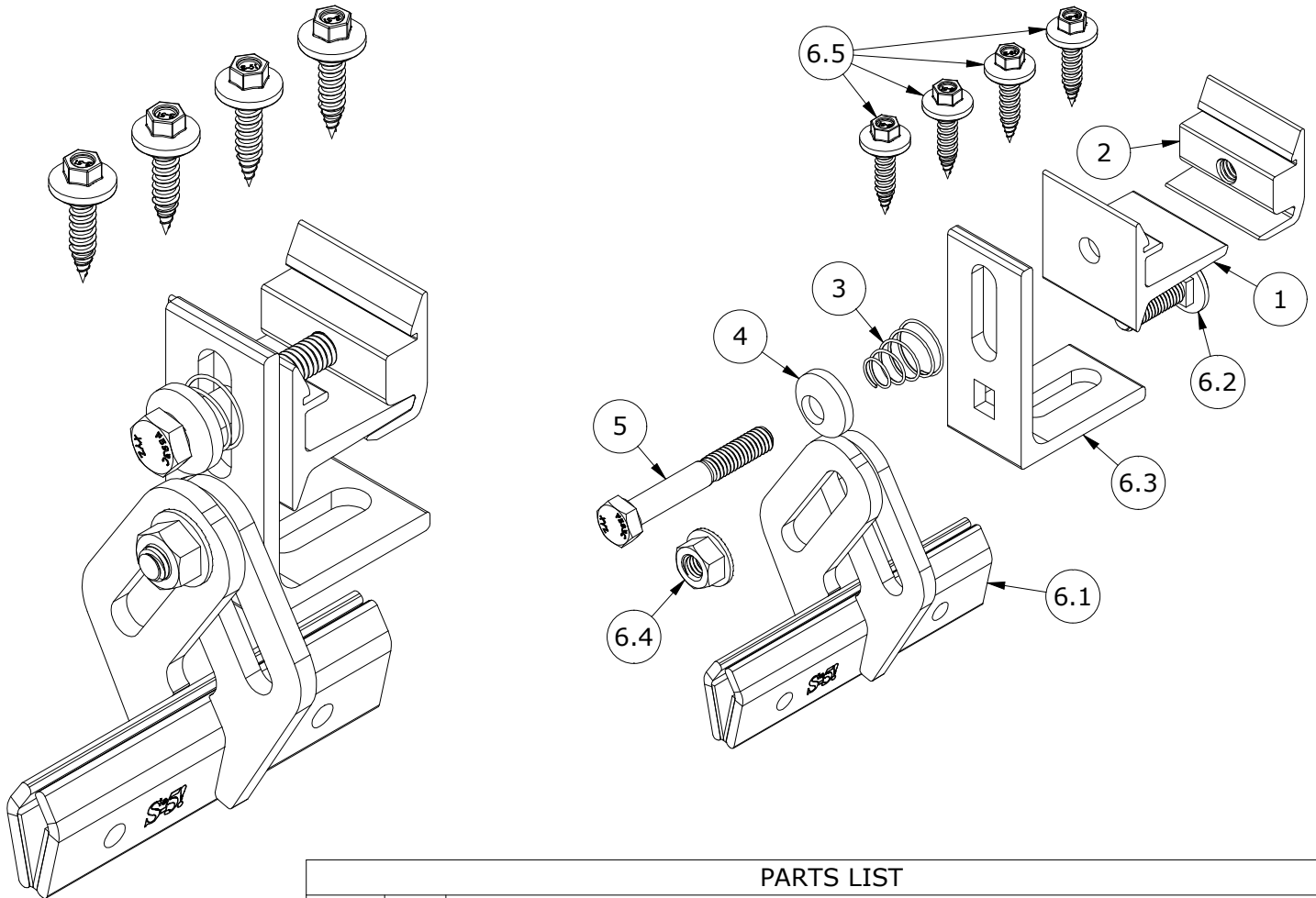
SUNRUN INSTALLATION SERVICES INC.

225 BUSH STREET, SUITE 1400 • SAN FRANCISCO, CA 94104 USA
 PHONE (877) 732-2860 • CONTACT@SNAPNRACK.COM

THE INFORMATION IN THIS DRAWING IS CONFIDENTIAL AND PROPRIETARY. ANY REPRODUCTION, DISCLOSURE, OR USE THEREOF IS PROHIBITED WITHOUT THE WRITTEN CONSENT OF SUNRUN SOUTH LLC.

UNITS: IN, LB, DEG [MM, KG, DEG]

SHEET: 1:2



PARTS LIST

ITEM	QTY	DESCRIPTION
1	1	SNAPNRACK, ULTRA RAIL MOUNT THRU PRC, CLEAR
2	1	SNAPNRACK, ULTRA RAIL MOUNT TAPPED PRC, CLEAR
3	1	SNAPNRACK, ULTRA RAIL MOUNT SPRING, SS
4	1	SNAPNRACK, ULTRA RAIL MOUNT SPRING CAGE
5	1	5/16IN-18 X 2-1/4IN SS HCS BOLT
6.1	2	S-5!, PROTEABRACK, FOOT WELDMENT
6.2	1	S-5!, BOLT, CARRIAGE, M8-1.25 X 25MM, SS
6.3	1	S-5!, PROTEABRACKET, L BRACKET
6.4	1	S-5!, NUT, FLANGE, SERRATED, M8-1.25, SS
6.5	4	S-5!, SCREW, SEALING, METAL-METAL, SELF PIERCING, 1/4IN X 1IN, SS

MATERIALS:

6000 SERIES ALUMINUM, STAINLESS STEEL

DESIGN LOAD (LBS):

VARIES, REFER TO SNAPNRACK ENGINEERING

ULTIMATE LOAD (LBS):

VARIES, REFER TO SNAPNRACK ENGINEERING

TORQUE SPECIFICATION:

12-13 FT-LBS

CERTIFICATION:

UL 2703, FILE E359313

WEIGHT (LBS):

0.85

DESCRIPTION:
**SNAPRACK & S-5!, TDS, UR MOUNTING CLAMP
 WITH PROTEABRACKET**

DOC NUMBER:
 SNR-DC-01309

SnapNrack®

PART NUMBER(S):

242-10042

DRAWN BY:
 M.WATKINS

SUNRUN INSTALLATION SERVICES INC.

REV:

DATE:

A

6/9/2023

225 BUSH STREET, SUITE 1400 • SAN FRANCISCO, CA 94104 USA
 PHONE (877) 732-2860 • CONTACT@SNAPNRACK.COM

THE INFORMATION IN THIS DRAWING IS CONFIDENTIAL AND PROPRIETARY. ANY
 REPRODUCTION, DISCLOSURE, OR USE THEREOF IS PROHIBITED WITHOUT THE
 WRITTEN CONSENT OF SUNRUN SOUTH LLC.

UNITS: IN, LB, DEG [MM, KG, DEG]

SHEET: 2:2

