

DESCRIPTION:
**SNAPRACK & S-5!, TDS, ALL PURPOSE L FOOT
 WITH S-5-N MINI (USA)**

DOC NUMBER:
 SNR-DC-01310

SnapNrack®

PART NUMBER(S):

242-10043-USA

DRAWN BY:
 M.WATKINS

REV: **B** DATE:
 2/18/2025

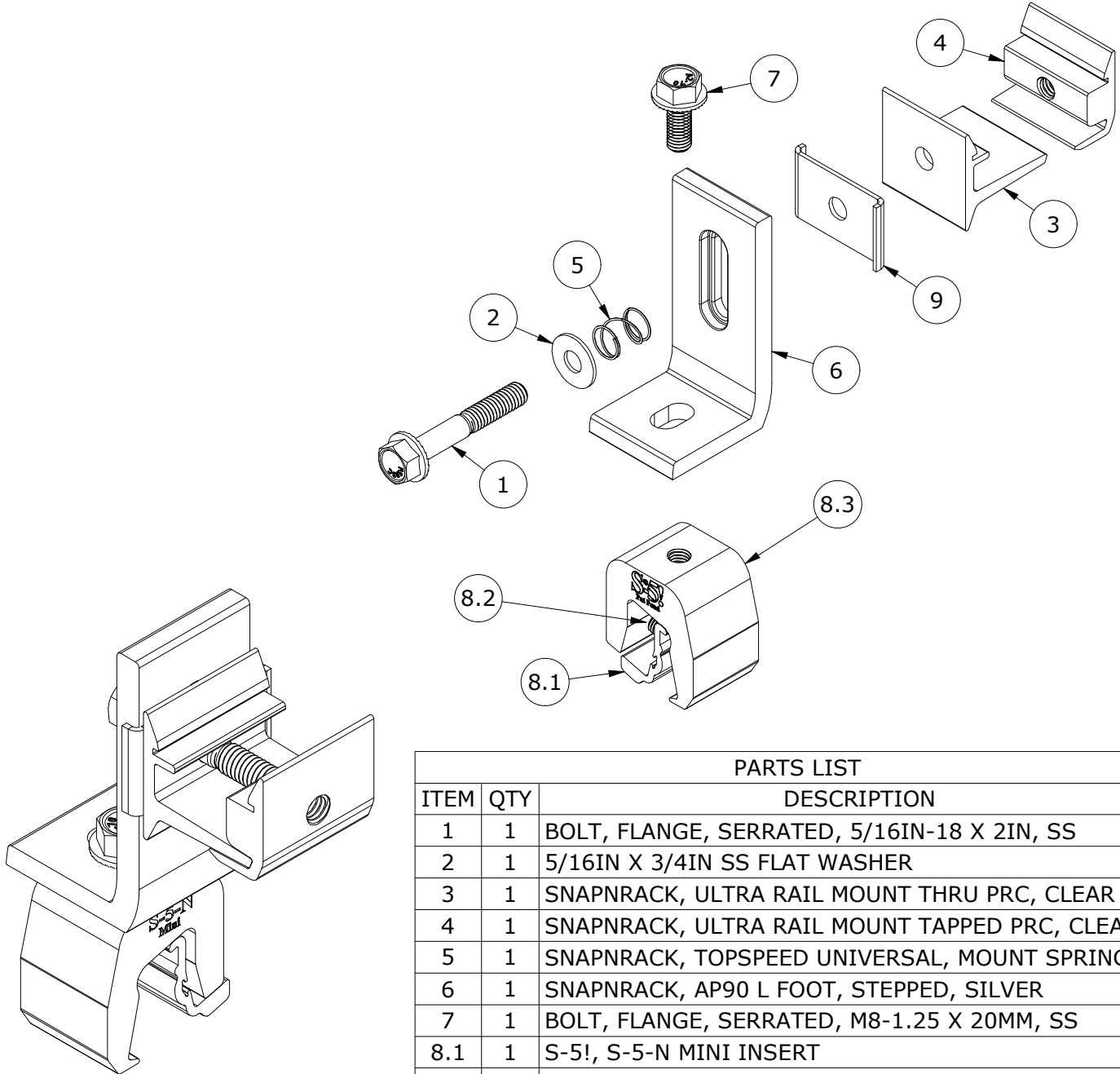
SNR SOLAR LLC

775 FIERO LANE, SUITE 200
 SAN LUIS OBISPO, CA 93401 USA
 EMAIL: CONTACT@SNAPNRACK.COM

THE INFORMATION IN THIS DRAWING IS CONFIDENTIAL AND PROPRIETARY. ANY REPRODUCTION, DISCLOSURE, OR USE THEREOF IS PROHIBITED WITHOUT THE WRITTEN CONSENT OF SNR SOLAR LLC.

UNITS: IN, LB, DEG [MM, KG, DEG]

SHEET: 1:2



PARTS LIST

ITEM	QTY	DESCRIPTION
1	1	BOLT, FLANGE, SERRATED, 5/16IN-18 X 2IN, SS
2	1	5/16IN X 3/4IN SS FLAT WASHER
3	1	SNAPNRACK, ULTRA RAIL MOUNT THRU PRC, CLEAR
4	1	SNAPNRACK, ULTRA RAIL MOUNT TAPPED PRC, CLEAR
5	1	SNAPNRACK, TOPSPEED UNIVERSAL, MOUNT SPRING, SS
6	1	SNAPNRACK, AP90 L FOOT, STEPPED, SILVER
7	1	BOLT, FLANGE, SERRATED, M8-1.25 X 20MM, SS
8.1	1	S-5!, S-5-N MINI INSERT
8.2	1	S-5!, SET SCREW, M8-1.25 X 10MM, SS
8.3	1	S-5!, S-5-N MINI BODY
9	1	SNAPNRACK, SEAM CLAMP ROTATION LOCK

MATERIALS:

6000 SERIES ALUMINUM, STAINLESS STEEL

DESIGN LOAD (LBS):

VARIES, REFER TO SNAPNRACK ENGINEERING

ULTIMATE LOAD (LBS):

VARIES, REFER TO SNAPNRACK ENGINEERING

TORQUE SPECIFICATION:

12-13 FT-LBS

CERTIFICATION:

UL 2703, FILE E359313; DOMESTIC CONTENT COMPLIANT

WEIGHT (LBS):

0.65

DESCRIPTION:
SNAPRACK & S-5!, TDS, ALL PURPOSE L FOOT WITH S-5-N MINI (USA)

DOC NUMBER:
 SNR-DC-01310

SnapNrack®

PART NUMBER(S):

242-10043-USA

DRAWN BY:
 M.WATKINS

REV:

B

DATE:

2/18/2025

SNR SOLAR LLC

775 FIERO LANE, SUITE 200
 SAN LUIS OBISPO, CA 93401 USA
 EMAIL: CONTACT@SNAPNRACK.COM

THE INFORMATION IN THIS DRAWING IS CONFIDENTIAL AND PROPRIETARY. ANY REPRODUCTION, DISCLOSURE, OR USE THEREOF IS PROHIBITED WITHOUT THE WRITTEN CONSENT OF SNR SOLAR LLC.

UNITS: IN, LB, DEG [MM, KG, DEG]

SHEET: 2:2

