

DESCRIPTION:
SNAPNRACK, TDS, ULTRA RAIL ANCHORFOOT

DOC NUMBER:
 SNR-DC-01314

SnapNrack®

PART NUMBER(S):
SNR-DC-01314

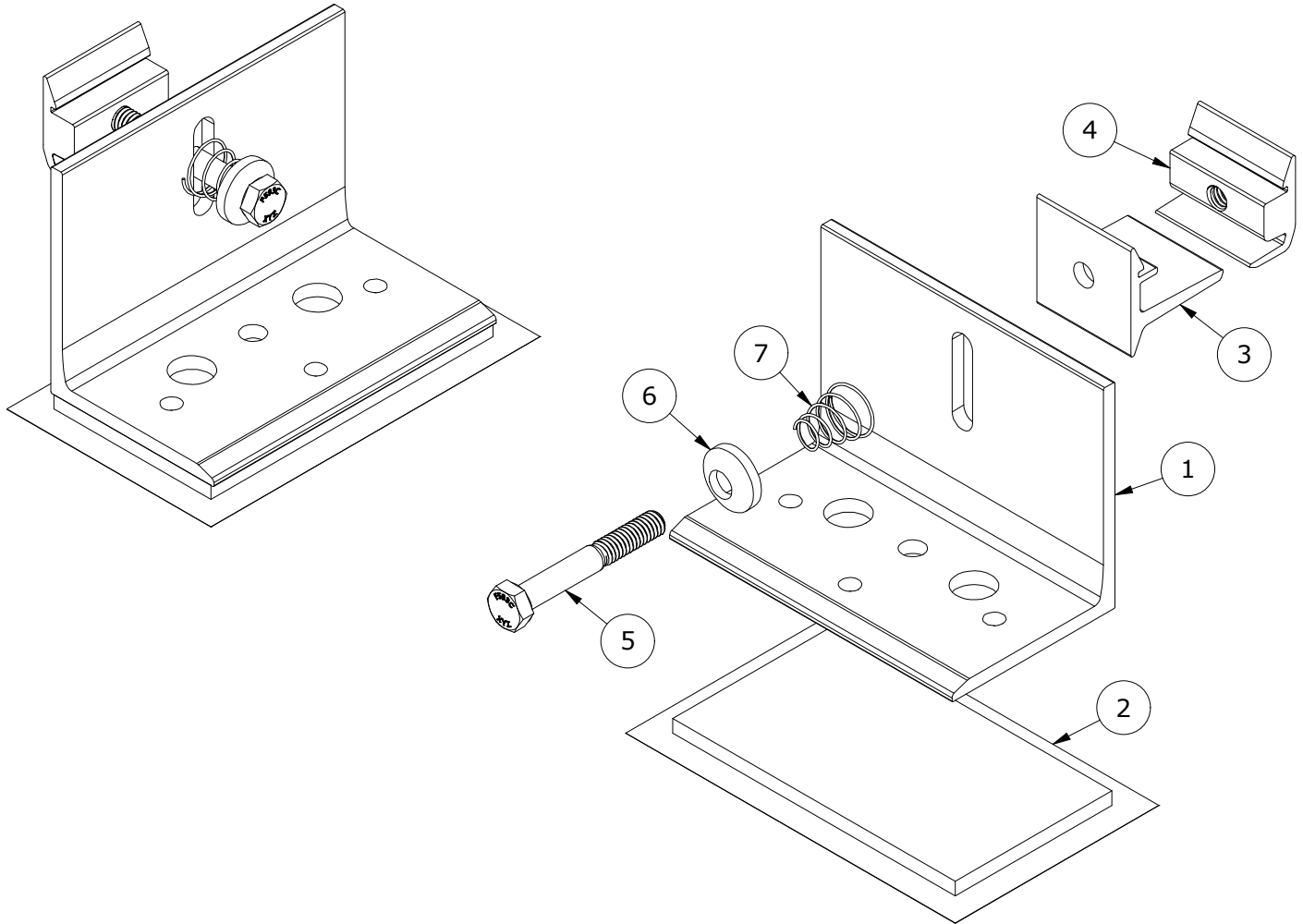
DRAWN BY:
 mwatkins

SUNRUN INSTALLATION SERVICES INC.

REV: **A** DATE: 3/17/2023

225 BUSH STREET, SUITE 1400 • SAN FRANCISCO, CA 94104 USA
 PHONE (877) 732-2860 • CONTACT@SNAPNRACK.COM
THE INFORMATION IN THIS DRAWING IS CONFIDENTIAL AND PROPRIETARY. ANY REPRODUCTION, DISCLOSURE, OR USE THEREOF IS PROHIBITED WITHOUT THE WRITTEN CONSENT OF SUNRUN SOUTH LLC.

UNITS: IN, LB, DEG [MM, KG, DEG] SHEET: 1:2



PARTS LIST

ITEM	QTY	DESCRIPTION
1	1	SNAPNRACK, ANCHOR L FOOT, BLACK
2	1	SNAPNRACK, BUTYL, 2.5IN X 4.5IN, 0.200IN THICK
3	1	SNAPNRACK, ULTRA RAIL MOUNT THRU PRC, BLACK
4	1	SNAPNRACK, ULTRA RAIL MOUNT TAPPED PRC, BLACK
5	1	5/16IN-18 X 2-1/4IN SS HCS BOLT BLACK
6	1	SNAPNRACK, ULTRA RAIL MOUNT SPRING CAGE
7	1	SNAPNRACK, ULTRA RAIL MOUNT SPRING, SS

MATERIALS:	6000 SERIES ALUMINUM, STAINLESS STEEL, BUTYL
DESIGN LOAD (LBS):	PENDING
ULTIMATE LOAD (LBS):	PENDING
TORQUE SPECIFICATION:	16 FT-LBS
CERTIFICATION:	UL 2703, FILE E359313; TAS-100(A)-95 WIND-DRIVEN RAIN TEST
WEIGHT (LBS):	0.70

DESCRIPTION:
SNAPNRACK, TDS, ULTRA RAIL ANCHORFOOT

DOC NUMBER:
SNR-DC-01314

SnapNrack®

PART NUMBER(S):

SNR-DC-01314

DRAWN BY:
mwatkins

REV:

A

DATE:

3/17/2023

SUNRUN INSTALLATION SERVICES INC.

225 BUSH STREET, SUITE 1400 • SAN FRANCISCO, CA 94104 USA
PHONE (877) 732-2860 • CONTACT@SNAPNRACK.COM

THE INFORMATION IN THIS DRAWING IS CONFIDENTIAL AND PROPRIETARY. ANY REPRODUCTION, DISCLOSURE, OR USE THEREOF IS PROHIBITED WITHOUT THE WRITTEN CONSENT OF SUNRUN SOUTH LLC.

UNITS: IN, LB, DEG [MM, KG, DEG]

SHEET: 2:2

