

DESCRIPTION:
SNAPNRACK, TDS, FLASHBOX

DOC NUMBER:
SNR-DC-01418

SnapNrack®

PART NUMBER(S):
242-10028

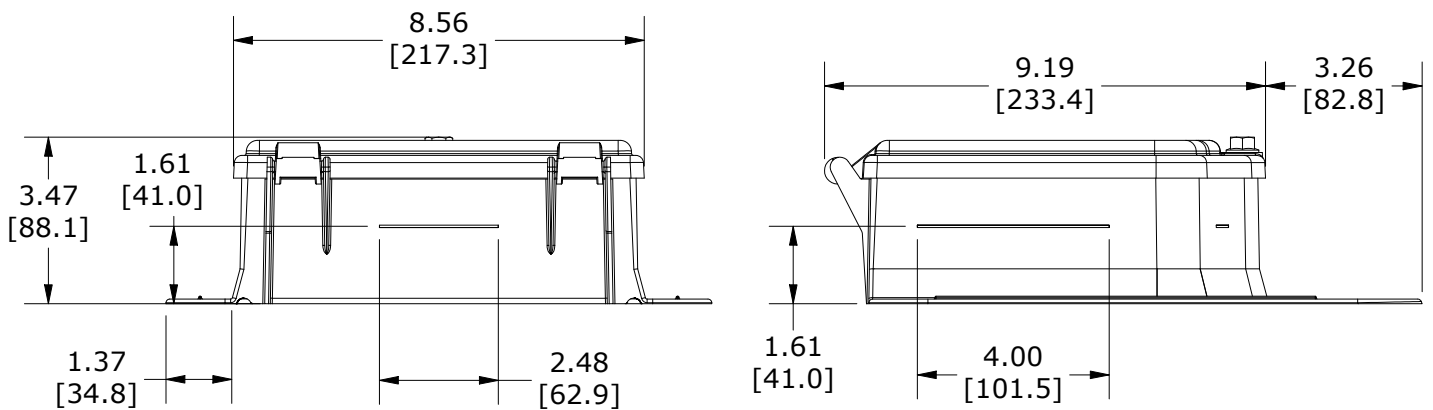
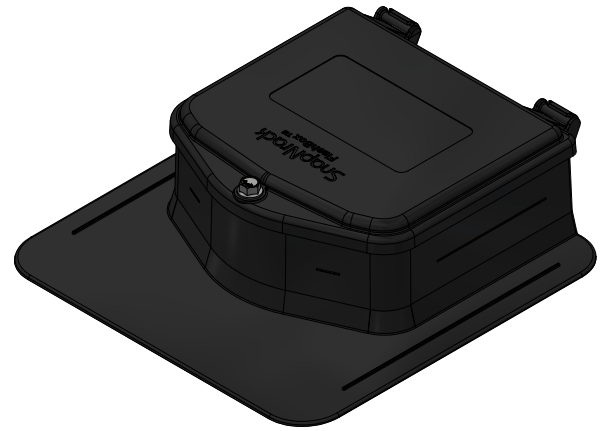
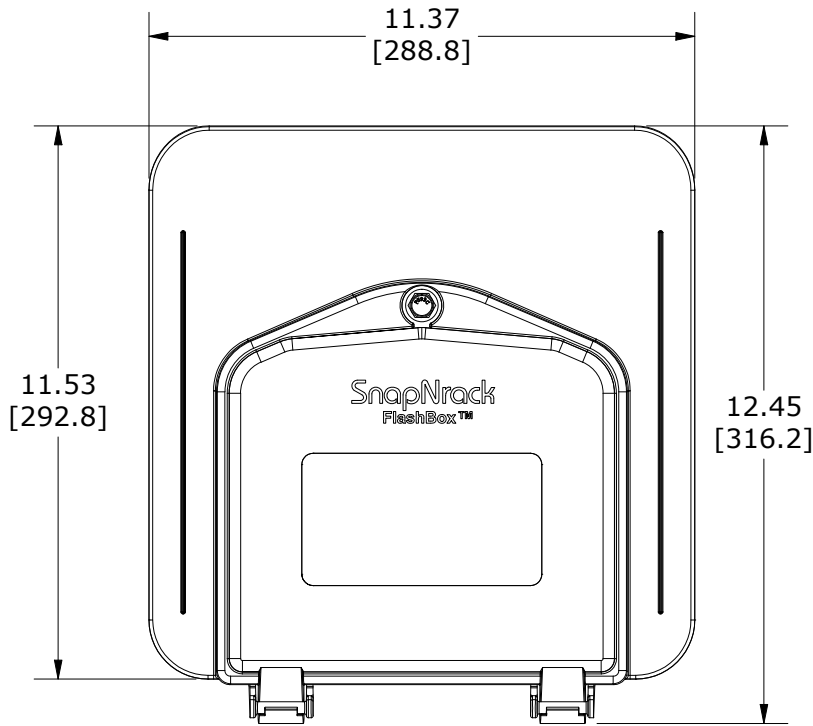
DRAWN BY:
D.RYAN

SUNRUN INSTALLATION SERVICES INC.

REV: **A** DATE:
12/28/2023

225 BUSH STREET, SUITE 1400 • SAN FRANCISCO, CA 94104 USA
PHONE (877) 732-2860 • CONTACT@SNAPNRACK.COM
THE INFORMATION IN THIS DRAWING IS CONFIDENTIAL AND PROPRIETARY. ANY REPRODUCTION, DISCLOSURE, OR USE THEREOF IS PROHIBITED WITHOUT THE WRITTEN CONSENT OF SUNRUN SOUTH LLC.

UNITS: IN, LB, DEG [MM, KG, DEG] SHEET: 1:2



MATERIALS:	UV RESISTANT POLYCARBONATE, STAINLESS STEEL, BRASS
BOX VOLUME:	153 IN ³ [2,507 CM ³]
ENCLOSURE TYPE:	TYPE 3R, ROOF PITCH 2:12 - 12:12
TORQUE SPECIFICATION:	36 IN.LB [4.07 N.M]
CERTIFICATION:	UL 1741 LISTED SOLAR TRANSITION BOX, FILE E534366
WEIGHT:	1.692 [.767]

DESCRIPTION:

SNAPNRACK, TDS, FLASHBOX

DOC NUMBER:

SNR-DC-01418

DRAWN BY:

D.RYAN

REV:

A

DATE:

12/28/2023

SnapNrack®

SUNRUN INSTALLATION SERVICES INC.

225 BUSH STREET, SUITE 1400 • SAN FRANCISCO, CA 94104 USA
PHONE (877) 732-2860 • CONTACT@SNAPNRACK.COM

THE INFORMATION IN THIS DRAWING IS CONFIDENTIAL AND PROPRIETARY. ANY REPRODUCTION, DISCLOSURE, OR USE THEREOF IS PROHIBITED WITHOUT THE WRITTEN CONSENT OF SUNRUN SOUTH LLC.

PART NUMBER(S):

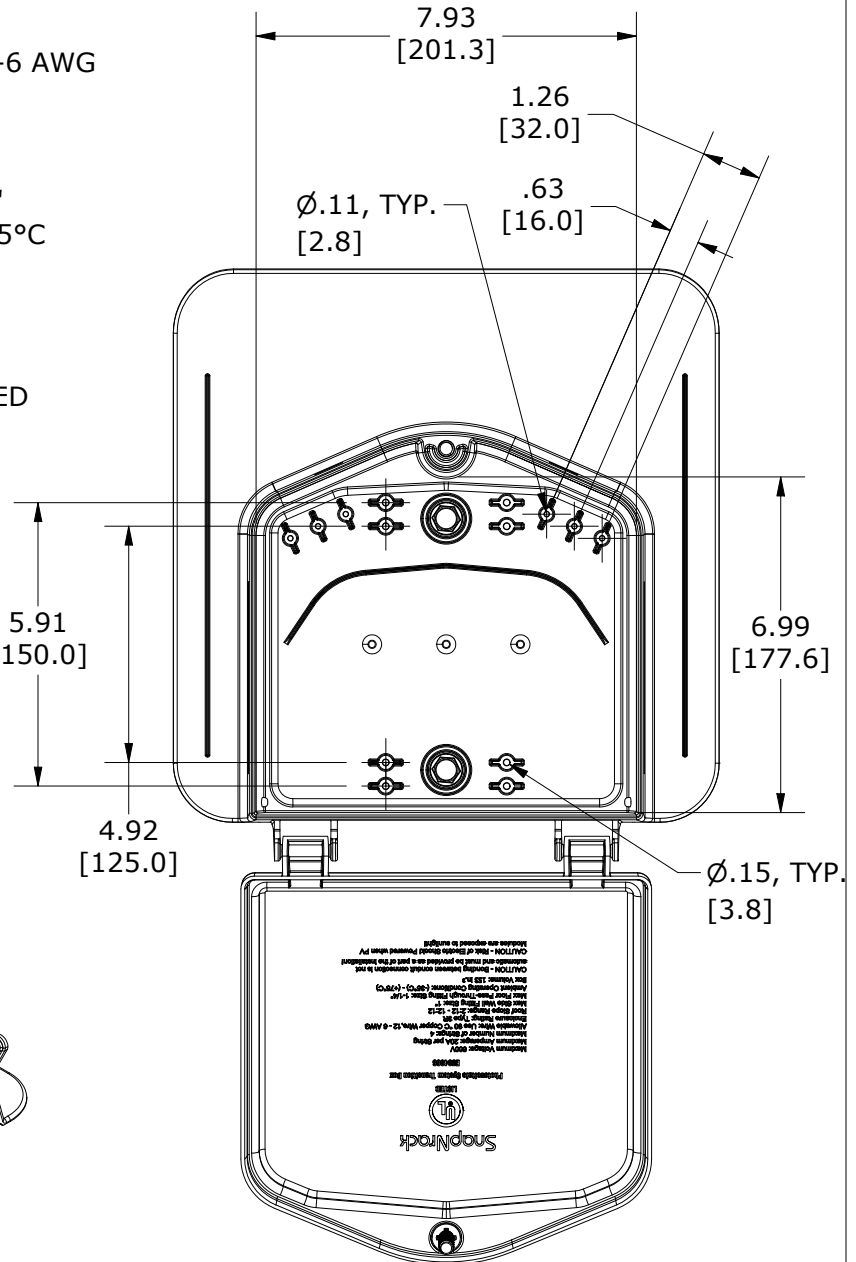
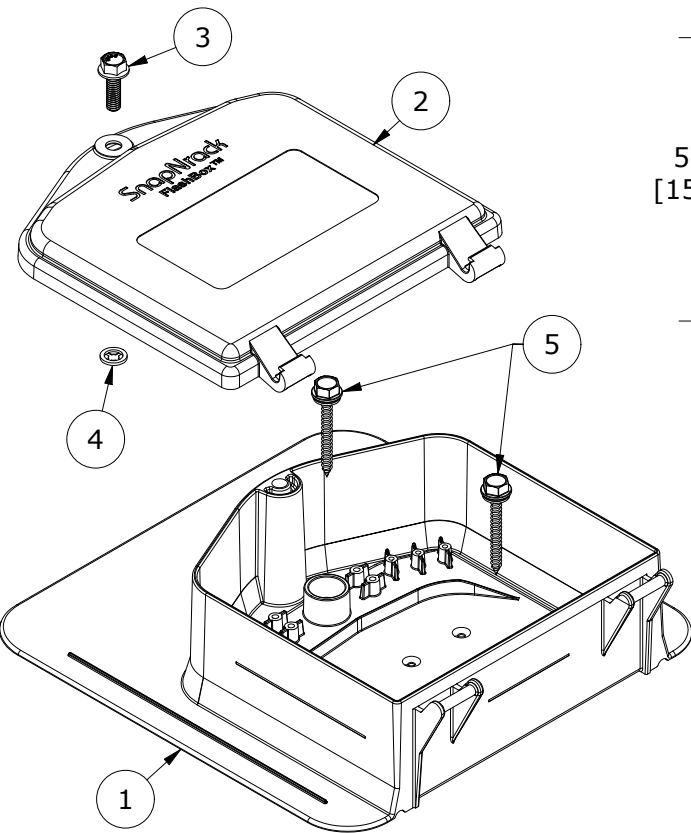
242-10028

UNITS: IN, LB, DEG [MM, KG, DEG]

SHEET: 2:2

LID TEXT:

- PHOTOVOLTAIC SYSTEM TRANSITION BOX: E534366
- MAXIMUM VOLTAGE: 600V
- MAXIMUM AMPERAGE: 20A PER STRING
- MAXIMUM NUMBER OF STRINGS: 4
- ALLOWABLE WIRE: USE 90°C COPPER WIRE, 12-6 AWG
- ENCLOSURE RATING: TYPE 3R
- ROOF SLOPE RANGE: 2:12 - 12:12
- MAX SIDE WALL FITTING SIZE: 1"
- MAX FLOOR PASS-THROUGH FITTING SIZE: 1¼"
- AMBIENT OPERATING CONDITIONS: -35°C TO 75°C
- BOX VOLUME: 153 IN³
- **CAUTION** - BONDING BETWEEN CONDUIT CONNECTION IS NOT AUTOMATIC AND MUST BE PROVIDED AS A PART OF THE INSTALLATION!
- **CAUTION** - RISK OF ELECTRIC SHOCK! POWERED WHEN PV MODULES ARE EXPOSED TO SUNLIGHT!



PARTS LIST

ITEM	QTY	DESCRIPTION
1	1	SNAPNRACK, FLASHBOX, BOX BODY
2	1	SNAPNRACK, FLASHBOX, BOX LID
3	1	BOLT, FLANGE, NON-SERRATED, 5-16IN-18 X 1IN, SS
4	1	SNAPNRACK, RETAINING WASHER FOR STANDARD BOLTS, PLASTIC
5	2	SNAPNRACK, SEALING WASHER WOOD SCREW, #14 X 2-1-4IN, 1-2IN HEX HEAD, SS