
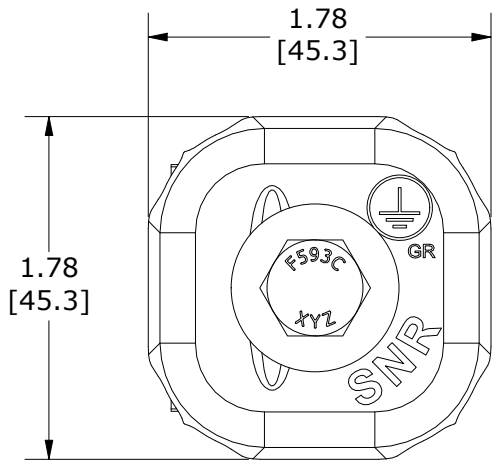
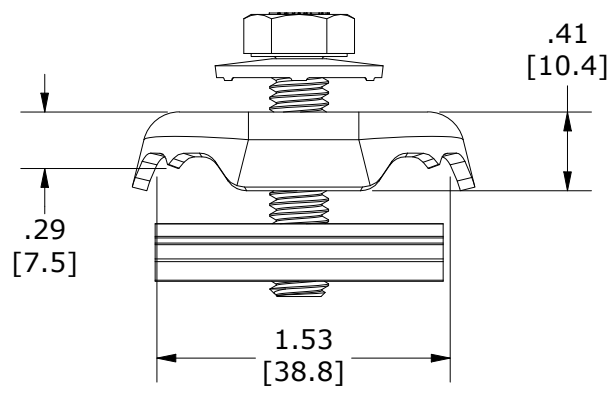


DESCRIPTION: SNAPNRACK, OMNILUG		DOC NUMBER: SNR-DC-01403	
PART NUMBER(S): 242-10034		DRAWN BY: D.RYAN	
UNITS: IN, LB, DEG [MM, KG, DEG]	SHEET: 1:1	REV: B DATE: 7/8/2024	

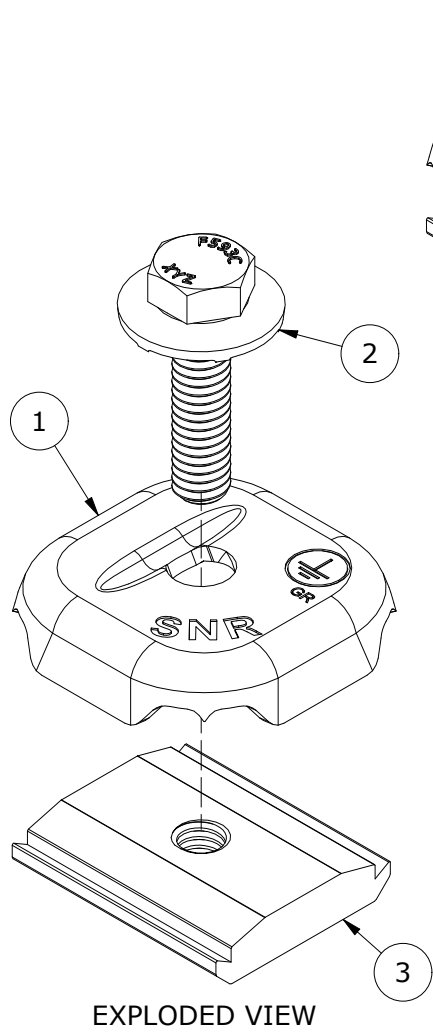
SUNRUN INSTALLATION SERVICES INC.
 225 BUSH STREET, SUITE 1400 • SAN FRANCISCO, CA 94104 USA
 PHONE (877) 732-2860 • CONTACT@SNAPNRACK.COM
THE INFORMATION IN THIS DRAWING IS CONFIDENTIAL AND PROPRIETARY. ANY REPRODUCTION, DISCLOSURE, OR USE THEREOF IS PROHIBITED WITHOUT THE WRITTEN CONSENT OF SUNRUN SOUTH LLC.



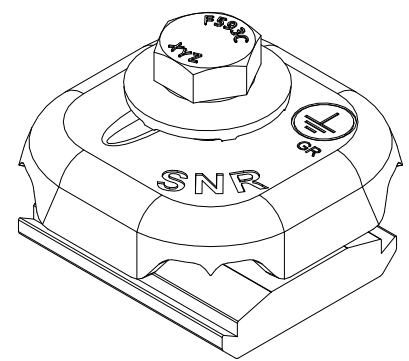
TOP VIEW



SIDE VIEW



EXPLODED VIEW



ASSEMBLED VIEW

PARTS LIST		
ITEM	QTY	DESCRIPTION
1	1	SNAPNRACK, OMNILUG, BONDING BRACKET, SS
2	1	SEMS SCREW, HEX, 5-16IN-18 X 1-1-4IN, 7-8 OD CONICAL WSH, TOOTH, SS
3	1	SNAPNRACK CHANNEL NUT 5-16IN-18

MATERIALS:	300 SERIES STAINLESS, 6005 AL	OPTIONS:
DESIGN LOAD (LBS):	N/A	SOLID WIRE GAUGE RANGE: 6-12AWG
ULTIMATE LOAD (LBS):	N/A	STRANDED WIRE GAUGE RANGE: 10-12AWG
TORQUE SPECIFICATION:	130 IN-LB	
CERTIFICATION:	UL 467, UL 2703	
WEIGHT (LBS):	0.17	