

DESCRIPTION:
SNAPNRACK, TDS, ULTRA RAIL END CAPS

DOC NUMBER:
 SNR-DC-01404

SnapNrack®

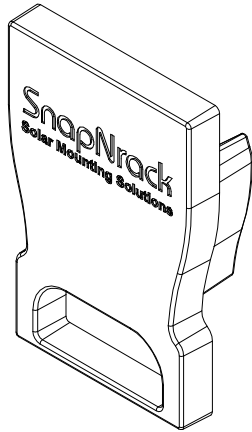
PART NUMBER(S):
 232-02452, 232-02484, 232-10101

DRAWN BY:
 H.WULFEKOETTER

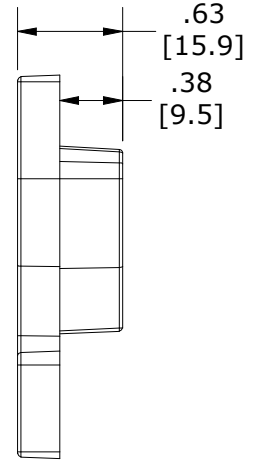
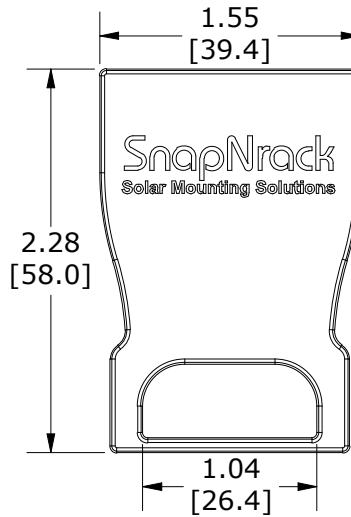
SNR SOLAR LLC
 775 FIERO LANE, SUITE 200
 SAN LUIS OBISPO, CA 93401 USA
 EMAIL: CONTACT@SNAPNRACK.COM
THE INFORMATION IN THIS DRAWING IS CONFIDENTIAL AND PROPRIETARY. ANY REPRODUCTION, DISCLOSURE, OR USE THEREOF IS PROHIBITED WITHOUT THE WRITTEN CONSENT OF SUNRUN SOUTH LLC.

UNITS: IN, LB, DEG [MM, KG, DEG] SHEET: 1:1

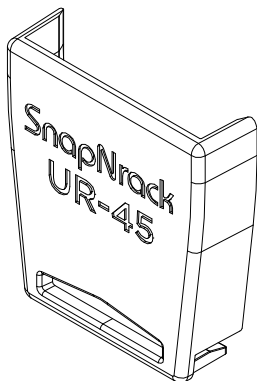
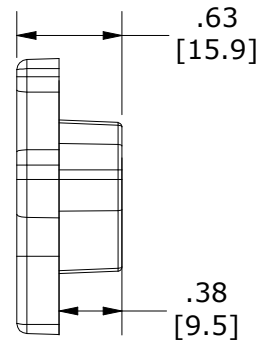
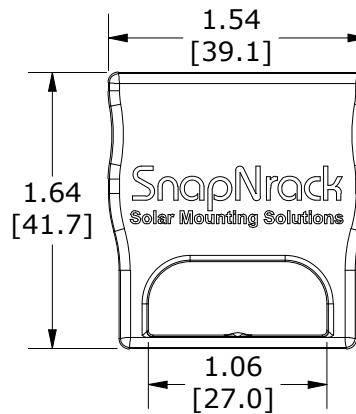
REV: DATE:
B 11/25/2024



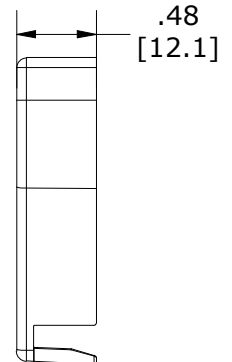
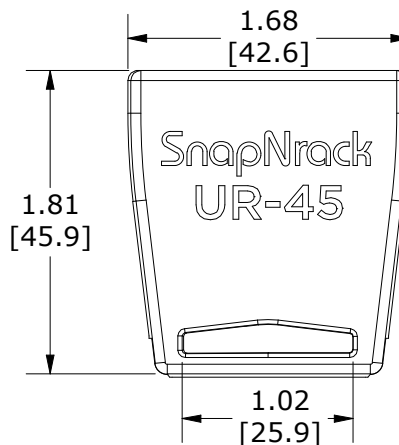
UR-60: 232-02484



UR-40: 232-02452



UR-45: 232-10101



MATERIALS: UV STABILIZED POLYCARBONATE (UR-40, UR-60), POLYPROPYLENE (UR-45)

DESIGN LOAD (LBS): N/A

ULTIMATE LOAD (LBS): N/A

TORQUE SPECIFICATION: N/A FT-LBS

CERTIFICATION: N/A

WEIGHT (LBS): 0.011-0.014